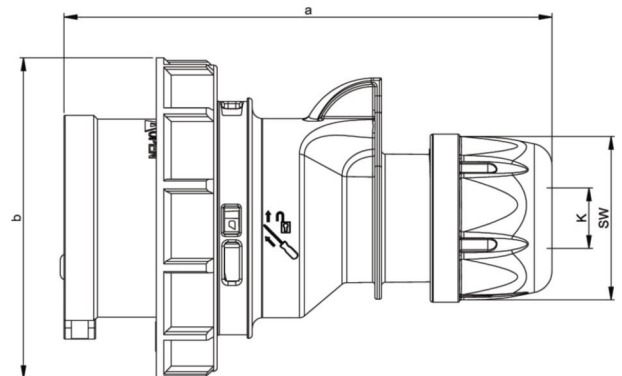


PCE data sheet

article#	0172-4v
article description	CEE-plug 16A 7p 4h IP66/IP67 SHARK
description long	CEE-plug 16A 7p 4h IP66/IP67 SHARK housing material: PA6 rated current: 16A number of poles: 7 (6P+PE) clock-position: 4h rated voltage/frequency: 110-130V~ / 50+60Hz contacts: brass nickel plated connection technology: screw terminals IP protection class: IP66/IP67
GTIN (EAN)	9003399368233
country of origin	AT
customs number	85366990
net weight	0.217 kg
packaging quantity	10

ETIM 7.0	EC000140
IEC-amperage	16 A
Number of poles	7
Voltage acc. EN 60309-2	110 V (50+60 Hz) yellow
Clock hour position	4 h
Identification colour	Yellow
Degree of protection (IP)	IP67
Connection system	Screw terminal
Cable entry	Swivel
Angle of plug	Straight
Material	Plastic



www.manufacturer-safety.info