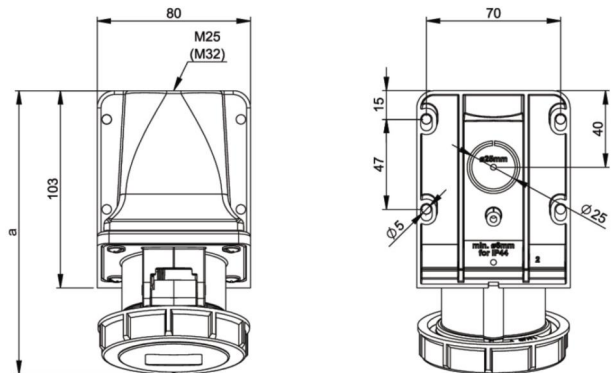


## PCE data sheet

article#	<b>1172-4v</b>
article description	<b>CEE-wall mounted socket 16A 7p 4h IP66/IP67</b>
description long	CEE-wall mounted socket 16A 7p 4h IP66/IP67 housing material: PA6 rated current: 16A number of poles: 7 (6P+PE) clock-position: 4h rated voltage/frequency: 110-130V~ / 50+60Hz contacts: brass nickel plated connection technology: screw terminals IP protection class: IP66/IP67
GTIN (EAN)	9003399368257
country of origin	AT
customs number	85366990
net weight	0.302 kg
packaging quantity	5

ETIM 7.0	EC001321
IEC-amperage	16 A
Number of poles	7
Voltage acc. EN 60309-2	110 V (50+60 Hz) yellow
Clock hour position	4 h
Identification colour	gelb
Degree of protection (IP)	IP67
Connection system	Schraubklemme
Cable entry	Verschraubung
Material	Plastic
Type of fastening	External mounting
Insulated mounting	True



b=Höhe/height  
Neigung/angle=15°



[www.manufacturer-safety.info](http://www.manufacturer-safety.info)