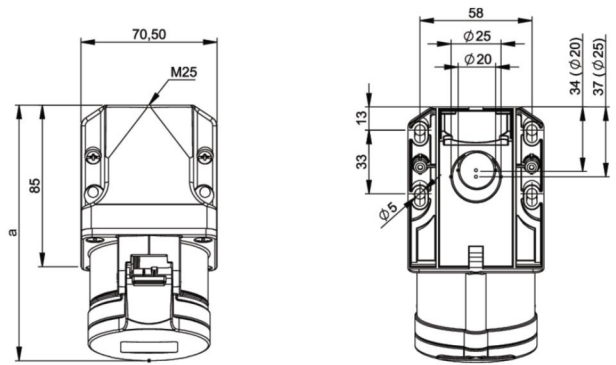


# PCE data sheet

article#	<b>124-9k</b>
article description	<b>CEE wall mounted socket (compact) 32A 4p 9h IP44</b>
description long	CEE wall mounted socket (compact) 32A 4p 9h IP44 housing material: PA6 rated current: 32A number of poles: 4 (3P+PE) clock-position: 9h rated voltage/frequency: 200-250V~ / 50+60Hz contacts: brass connection technology: screw terminals cable entry: top and rear inc. threaded cable grommet IP protection class: IP44
GTIN (EAN)	9003399983238
country of origin	AT
customs number	85366990
net weight	0.265 kg
packaging quantity	10

ETIM 7.0	EC001321
Model	Surface mounted (plaster)
IEC-amperage	32 A
Number of poles	4
Voltage acc. EN 60309-2	200-250 V (50+60 Hz) blue
Clock hour position	9 h
Identification colour	Blue
RAL-number	
Degree of protection (IP)	IP44
Connection system	Screwed terminal
Cable entry	Swivel
Material	Plastic
Contact material	CuZn
Surface finish contacts	Untreated
Type of fastening	Inner lying mounting

wire flexible	2,5-6 mm <sup>2</sup>
wire solid	2,5-10 mm <sup>2</sup>
contact screws	110 Ncm
dismantling length	50 mm
stripping length	12-14 mm



b=Höhe/height  
Neigung/angle=15°



[www.manufacturer-safety.info](http://www.manufacturer-safety.info)