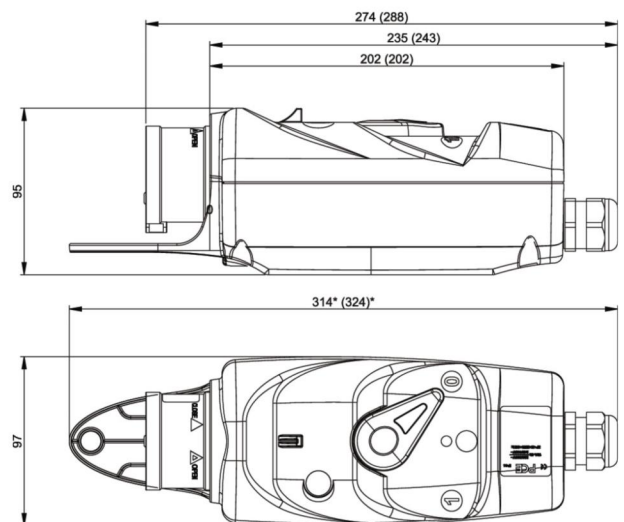


PCE data sheet

article#	54015040
article description	CEE-motor protection plug (PKZM0) 16A 5p 6h (2.5-4.0A) IP44
description long	CEE-motor protection plug (PKZM0) 16A 5p 6h (2.5-4.0A) IP44 housing material: PC/ABS rated current: 16A number of poles: 5 (3P+N+PE) clock-position: 6h rated voltage/frequency: 200/346V~ - 240/415V~ / 50+60Hz contacts: brass nickel plated connection technology: screw terminals rotary lever, motor setting range: 2,5A - 4,0A cable gland: M25 IP protection class: IP44
GTIN (EAN)	9003399587627
country of origin	AT
customs number	85366990
net weight	0.786 kg
packaging quantity	1

ETIM 7.0	EC000452
Type of motor protection	Thermal release
Type of control element	Rotary toggle
Phase inverter	False
Phase sequence monitoring	False
Adjustable current range	2,5 - 4,0 A
Colour plug	Red
Colour housing	Grey
Rated voltage	400 V
Rated permanent current Iu	16 A



www.manufacturer-safety.info