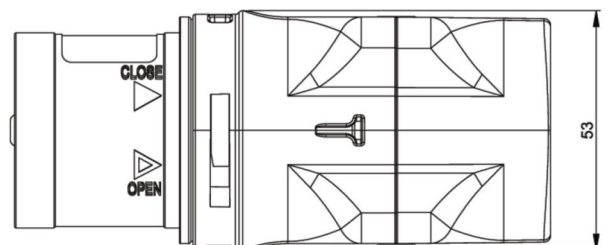
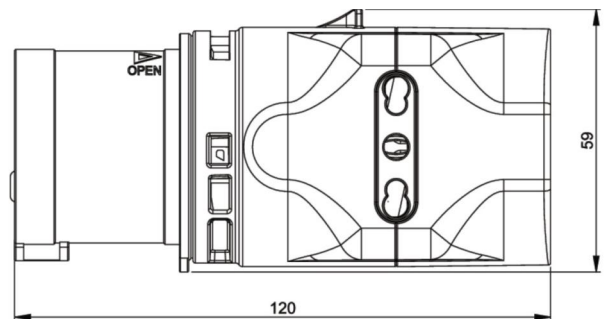


PCE data sheet

article#	9433170
article description	Multi Adapter 2xP17/11 1xP30GS16/3Export
description long	Multi Adapter 2xP17/11 1xP30GS16/3Export housing material: PC/ABS rated current: 16A number of poles: 3 (2P+PE) clock-position: 6h rated voltage/frequency: 200-250V~ / 50+60Hz contacts: brass Entry: 1x CEE-plug 16A 3p 6h Outlet: 2x socket (ital.) P17/11, 1x socket (ital.) P30/17 ready wired IP protection class: IP20
GTIN (EAN)	9003399692109
country of origin	AT
customs number	85366990
net weight	0.157 kg
packaging quantity	10

ETIM 7.0	EC000379
CEE socket outlet 16 A	1x16A3p230V
CEE socket outlet 32 A	
CEE socket outlet 63 A	
Number of socket outlets with protective contact	
Number of socket outlets with protective contact (SCHUKO)	
Other fixtures and/or empty locations	3
Protection	None
Leakage current type	
Earth leakage switch	
Material housing	Plastic
Contact material	CuZn
Power supply/connection possibility	Built-up plug
Number of poles mains connection	3
Type of mains connection	CEE 16 A



www.manufacturer-safety.info