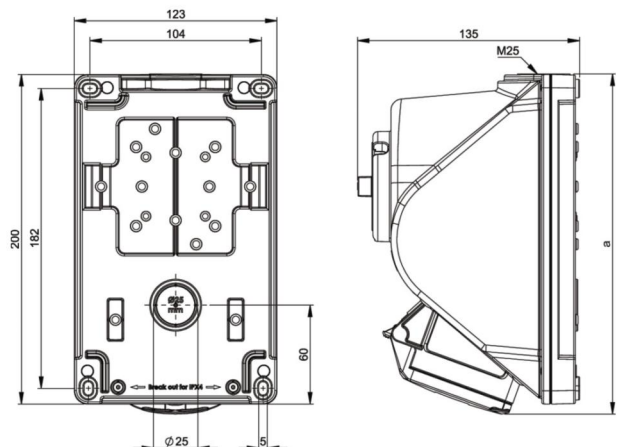


## PCE data sheet

article#	<b>960615501</b>
article description	<b>CEE-wall mounted socket COMBO-POL 16A 5p 6h IP44</b>
description long	CEE-wall mounted socket COMBO-POL 16A 5p 6h IP44 housing material: PA6 rated current: 16A number of poles: 5 (3P+N+PE) clock-position: 6h rated voltage/frequency: 200/346V~ - 240/415V~ / 50+60Hz contacts: brass nickel plated connection technology: screw terminals cable entry: top or rear with reverse switch (L-0-R) AC22A IP protection class: IP44
GTIN (EAN)	9003399712500
country of origin	PL
customs number	85366990
net weight	0.750 kg
packaging quantity	1

ETIM 7.0	EC001324
IEC-amperage	16 A
Number of poles	5
Voltage acc. EN 60309-2	400 V (50+60 Hz) red
Clock hour position	6 h
Identification colour	Red
Degree of protection (IP)	IP44
Switch	
Type of switch	Special switch
Material housing	Plastic

wire flexible	1-2,5 mm <sup>2</sup>
wire solid	1-4 mm <sup>2</sup>
contact screws	100 Ncm
dismantling length	50 mm
stripping length	10-12 mm



[www.manufacturer-safety.info](http://www.manufacturer-safety.info)