

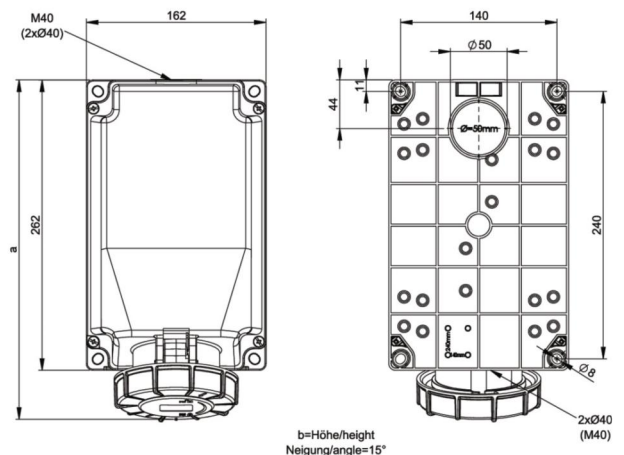
**PCE data sheet**

article#	<b>1357-6</b>
article description	<b>CEE-wall mounted socket 63A 5p 6h IP67 POWER TWIST</b>
description long	CEE-wall mounted socket 63A 5p 6h IP67 POWER TWIST housing material: PC/ABS rated current: 63A number of poles: 5 (3P+N+PE) clock-position: 6h rated voltage/frequency: 200/346V~ - 240/415V~ / 50+60Hz contacts: brass, with lamellar spring (CuBe) connection technology: frame terminals with screws cable entry: top, bottom, rear inc. threaded blind cap IP protection class: IP66/IP67
GTIN (EAN)	9003399066375
country of origin	AT
customs number	85366990
net weight	1.463 kg
packaging quantity	1
minimum order quantity	1



ETIM 7.0	EC001321
Model	Surface mounted (plaster)
IEC-amperage	63 A
Number of poles	5
Voltage acc. EN 60309-2	400 V (50+60 Hz) red
Clock hour position	6 h
Identification colour	Red
Degree of protection (IP)	IP67
Connection system	Screwed terminal
Cable entry	Swivel
Material	Plastic
Contact material	CuZn
Surface finish contacts	Untreated
Type of fastening	External mounting
Insulated mounting	True
Military model	False

wire flexible	6-16 mm <sup>2</sup>
wire solid	6-25 mm <sup>2</sup>
contact screws	200 Ncm
dismantling length	100 mm
stripping length	15-18 mm


[www.manufacturer-safety.info](http://www.manufacturer-safety.info)