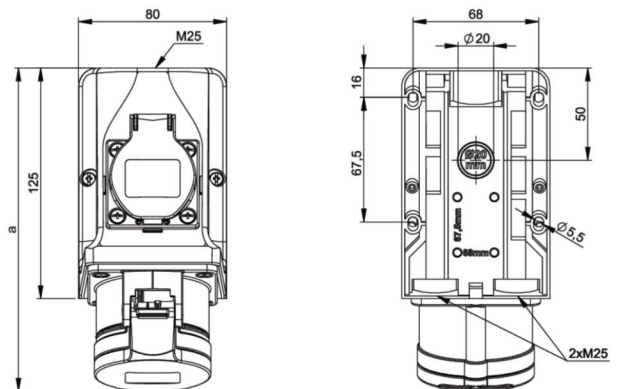


# PCE data sheet

|                     |   |
|---------------------|---|
| article#            | <b>9224-6</b>   |
| article description | <b>CEE-wall mounted socket + safety socket COMBO 32A 4p 6h IP44</b>   |
| description long    | CEE-wall mounted socket + safety socket COMBO 32A 4p 6h IP44<br>housing material: PA6<br>rated current: 32A<br>number of poles: 4 (3P+PE)<br>clock-position: 6h<br>rated voltage/frequency: 380-415V~ / 50+60Hz<br>contacts: brass<br>connection technology: screw terminals<br>cable entry: top, 2x bottom, rear<br>with safety socket (Austrian/German standard) - ready wired<br>IP protection class: IP44 |
| GTIN (EAN)          | 9003399094880   |
| country of origin   | AT  |
| customs number      | 85366990  |
| net weight          | 0.470 kg  |
| packaging quantity  | 5   |

|  |               |
|--|---------------|
| ETIM 7.0   | EC000379      |
| CEE socket outlet 16 A                           |               |
| CEE socket outlet 32 A                           | 1x32A xp xxxV |
| Number of socket outlets with protective contact | 1             |
| Other fixtures and/or empty locations            |               |
| Material housing                                 | Plastic       |
| Handling   | Wall mounting |
| Degree of protection (IP)                        | IP44          |
| Colour   | Grey          |

|                    |                        |
|--------------------|------------------------|
| wire flexible      | 2,5-6 mm <sup>2</sup>  |
| wire solid         | 2,5-10 mm <sup>2</sup> |
| contact screws     | 110 Ncm                |
| dismantling length | 50 mm                  |
| stripping length   | 12-14 mm               |



b=Höhe/height  
Neigung/angle=15°



[www.manufacturer-safety.info](http://www.manufacturer-safety.info)