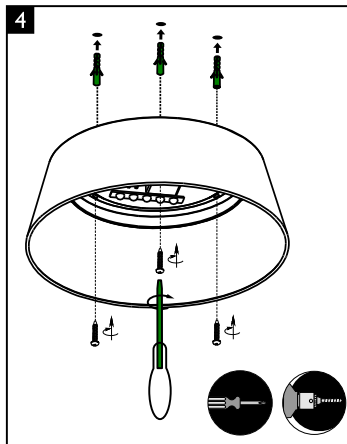
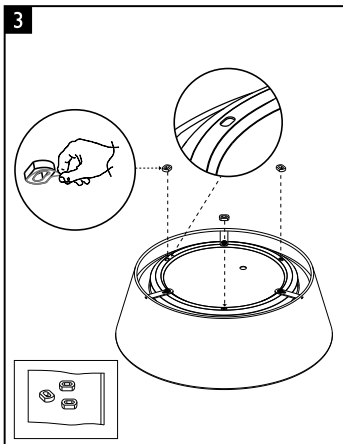
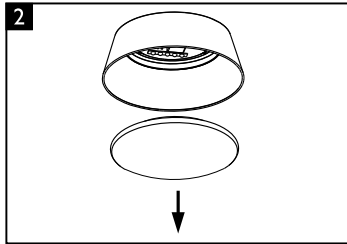
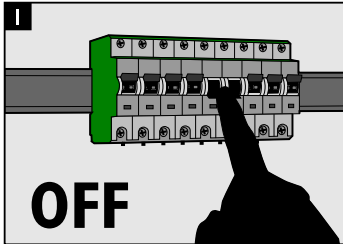
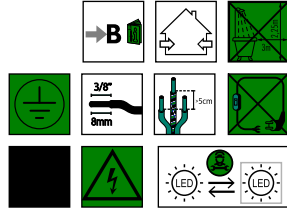


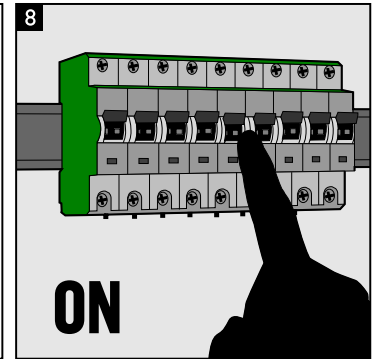
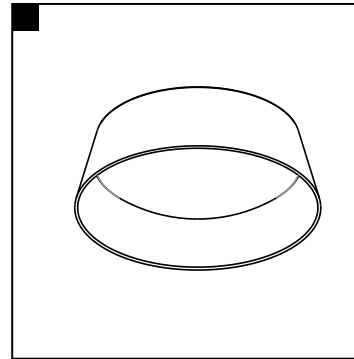
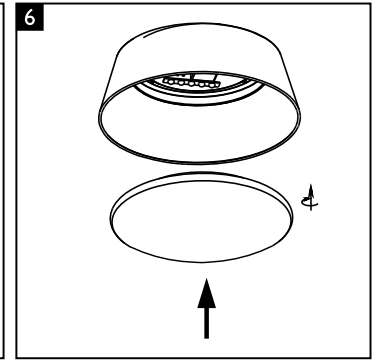
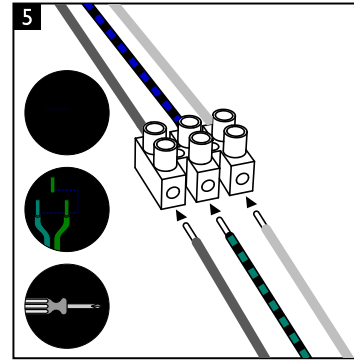
front

# PHILIPS

## Dawn CL258



back



9290025150 9290025149 9290025148

Philips and the Philips shield emblem are registered trademarks of Koninklijke Philips N.V.

Signify  
I.B.R.S. / C.C.R.I. Numéro 10461  
5600 VB Eindhoven, the Netherlands  
[www.philips.com/lighting](http://www.philips.com/lighting)

Signify Commercial UK Limited  
Unit 3, Guildford Business Park,  
Guildford, Surrey, GU2 8XG, UK

© 2021 Signify Holding  
©ignify



3241 656 00362  
Last update: 09/04/21

size: 105mmx148mm