

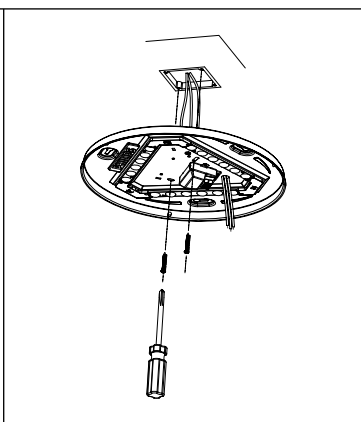
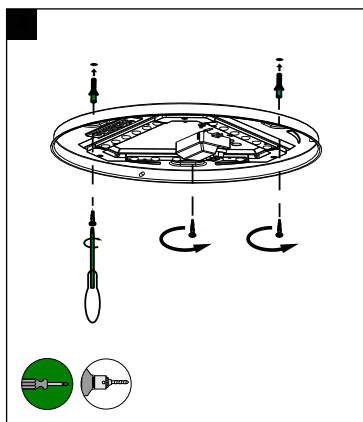
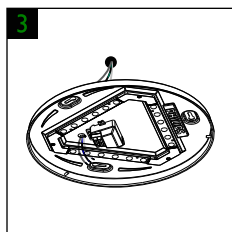
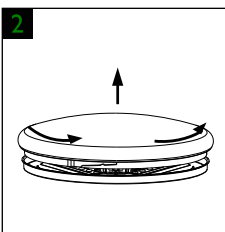
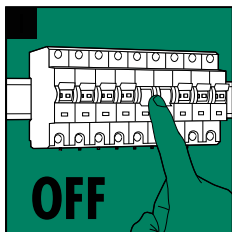
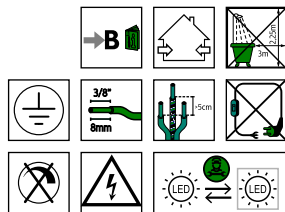
front

# PHILIPS

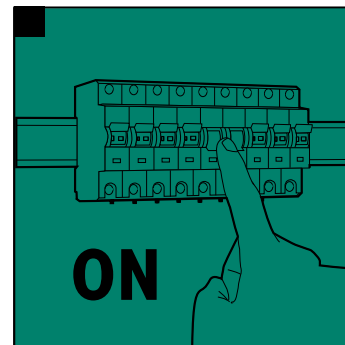
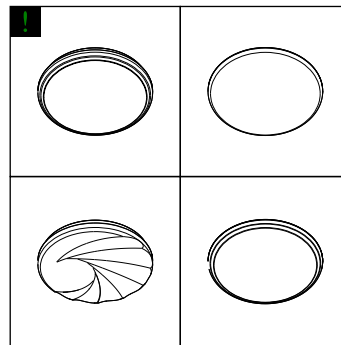
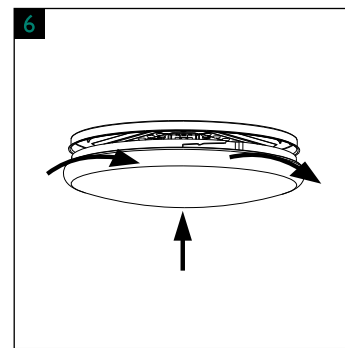
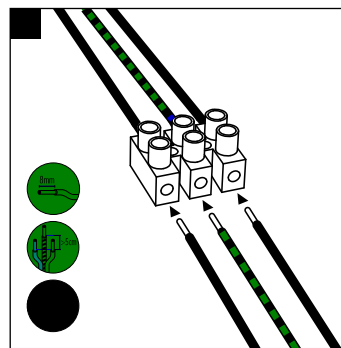
Moire CL200

Shore CL202

Twirly CL254



back



■ 9150057789 9150057742 9150057765 318158717 318153117  
318148716 318143116 318148717 318143117

■ 9150057788 9290026221 9290025510 318158716 318153116

Philips and the Philips shield emblem are registered trademarks of Koninklijke Philips N.V.

Signify  
I.B.R.S. / C.C.R.I. Numéro 10461  
5600 VB Eindhoven, the Netherlands  
www.philips.com/lighting

Signify Commercial UK Limited  
Unit 3, Guildford Business Park,  
Guildford, Surrey, GU2 8XG, UK

© 2021 Signify Holding

@signify



3241 657 49722

Last update: 04/15/21

size: 105mmx148mm