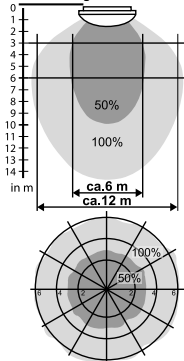


Detection area

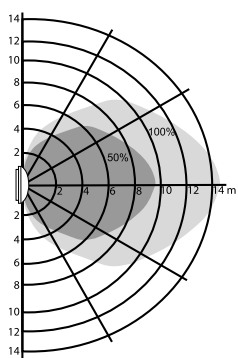
Detection range at ceiling mounting
detection angle 360°



Any movement within the detection area
can be detected and light will turn on.

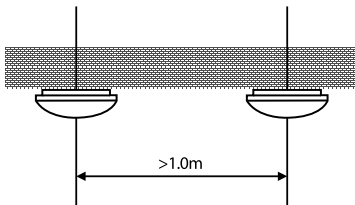
Detection area

Detection range at wall mounting

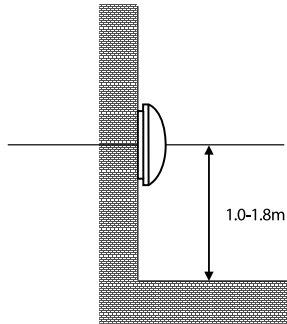


Application Note

Multiple Luminaires – Ceiling Mounting & Wall Mounting



Wall Mounting



9290022159 9290022160

Philips and the Philips shield emblem are registered
trademarks of Koninklijke Philips N.V.

Signify

I.B.R.S. / C.C.R.I. Numéro 10461
5600 VB Eindhoven, the Netherlands
www.philips.com/lighting

© 2021 Signify Holding

Signify

Signify Commercial UK Limited
Unit 3, Guildford Business Park,
Guildford, Surrey, GU2 8XG, UK



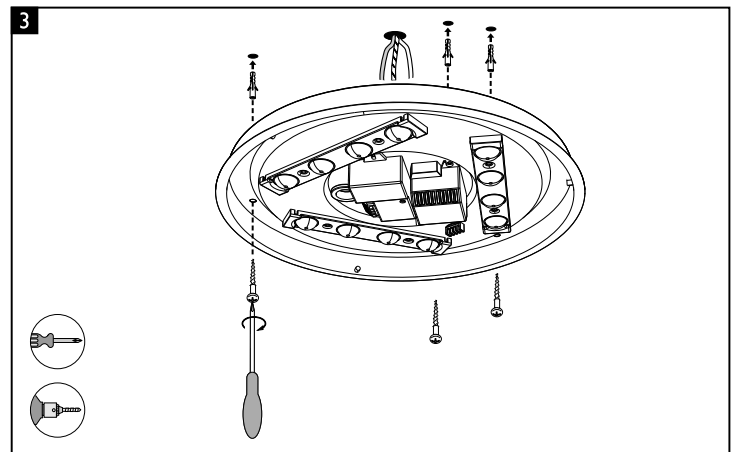
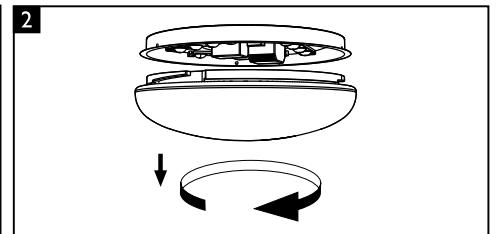
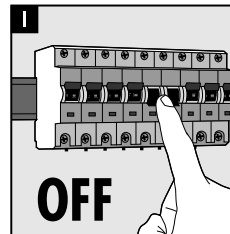
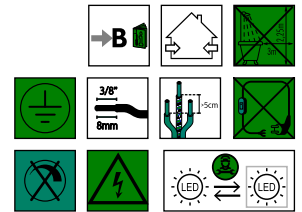
3241 654 50882

Last update: 09/04/21

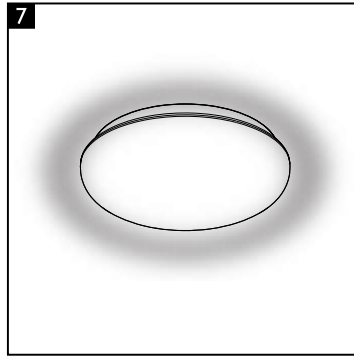
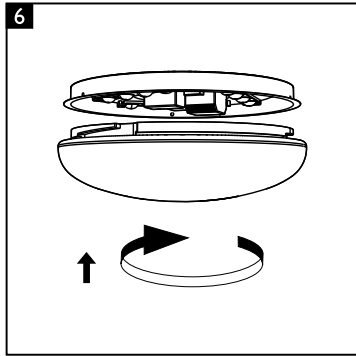
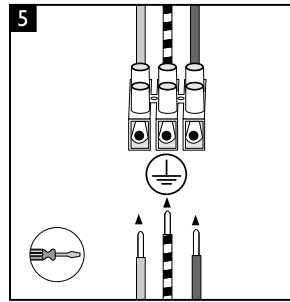
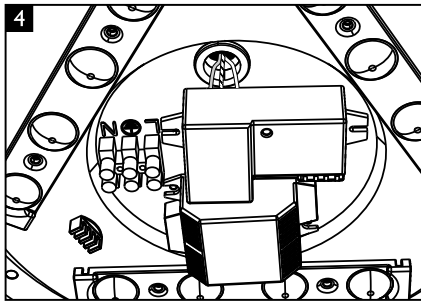
4

PHILIPS

Sensor Microwave



size: 105mmx148mm



2

DIP switch setting

Default Setting

1	Detection area	2	3	Hold Time	4	Daylight Sensor
	100%			5s		ENABLE
	50%			1min		DISABLE
				3min		
				10min		

Detection area (default 50%)
Detection area can be increased by selecting 100% on the DIP switches to fit precisely each application.

Hold time (default 3 min.)
Refers to the time period the lamp remains at 100% illumination after no motion detected.

Daylight sensor (default enable mode)
The sensor can be set to only allow the lamp to illuminate below a defined ambient brightness threshold (25lux). When set to disable mode, the daylight sensor will switch on the lamp when motion detected regardless of ambient light.

3

size: 105mmx148mm