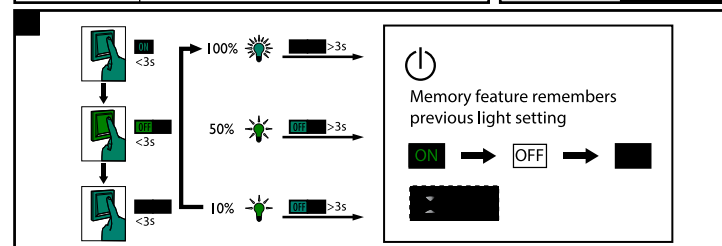
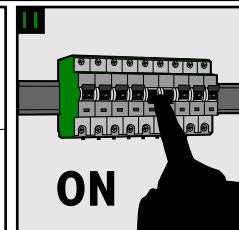
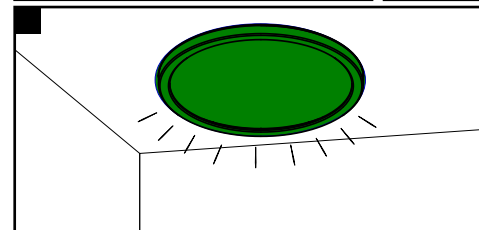
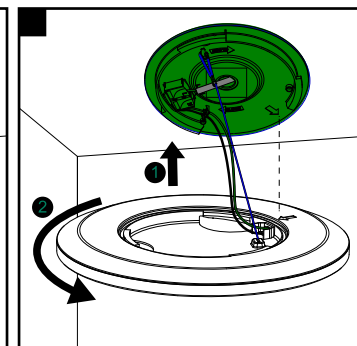
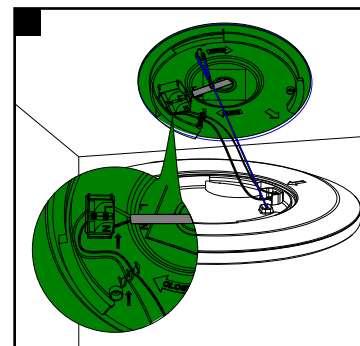
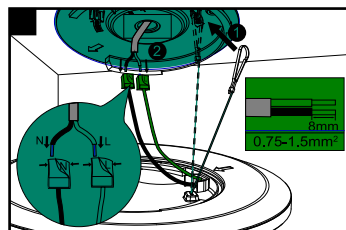
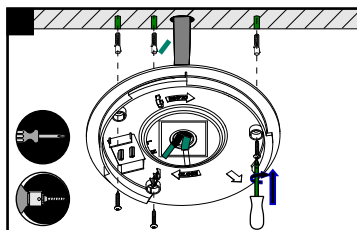
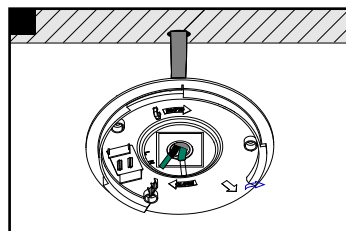
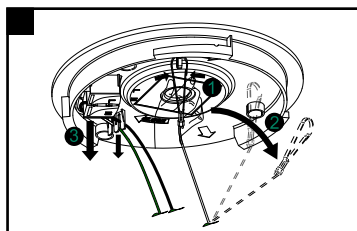
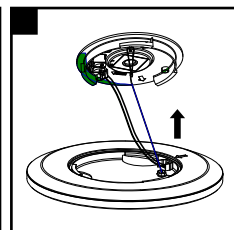
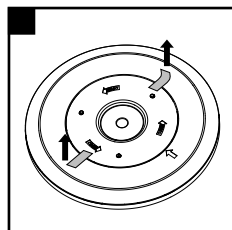
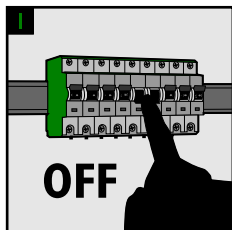
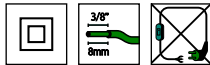


front

back

# PHILIPS

Superslim CL550



9290025464 9290025466 9150057767 9150057768 9150057769  
9150057779 9290026668 9290026669 9290026672 9290026673

Philips and the Philips shield emblem are registered trademarks of Koninklijke Philips N.V.

Signify  
I.B.R.S. / C.C.R.I. Numéro 10461  
5600 VB Eindhoven, the Netherlands  
www.philips.com/lighting

Signify Commercial UK Limited  
Unit 3, Guildford Business Park,  
Guildford, Surrey, GU2 8XG, UK

© 2021 Signify Holding

@ignify



3241 653 91733

Last update: 28/04/21

size: 105mmx148mm