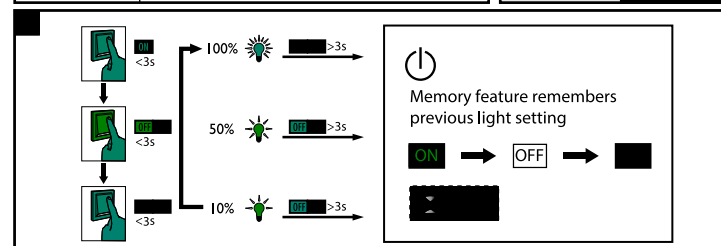
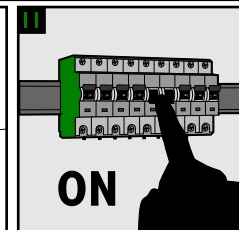
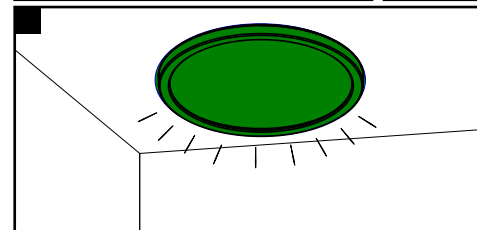
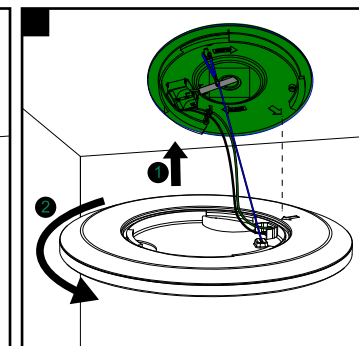
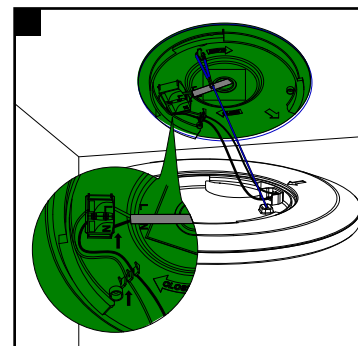
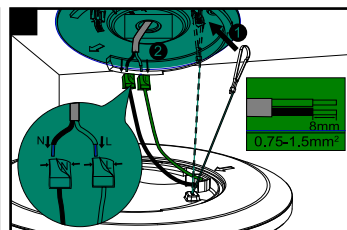
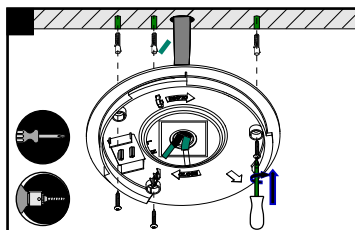
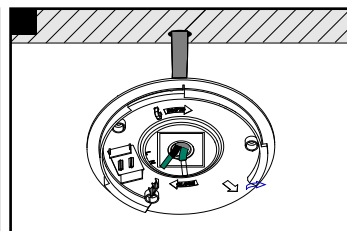
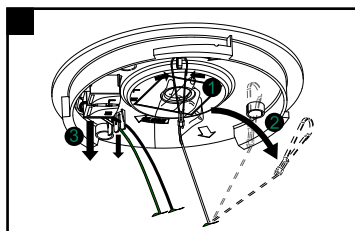
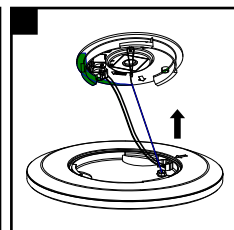
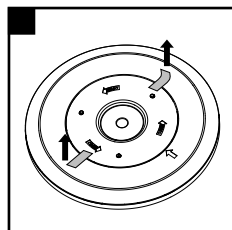
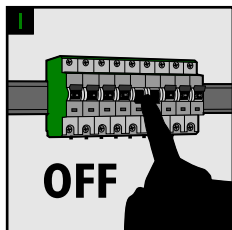
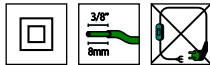


front

back

PHILIPS

Superslim CL550



9290025464 9290025466 9150057767 9150057768 9150057769
 9150057779 9290026668 9290026669 9290026672 9290026673

Philips and the Philips shield emblem are registered trademarks of Koninklijke Philips N.V.

Signify
 I.B.R.S. / C.C.R.I. Numéro 10461
 5600 VB Eindhoven, the Netherlands
 www.philips.com/lighting

Signify Commercial UK Limited
 Unit 3, Guildford Business Park,
 Guildford, Surrey, GU2 8XG, UK



© 2021 Signify Holding
 @ignify

3241 653 91733
 Last update: 28/04/21

size: 105mmx148mm