

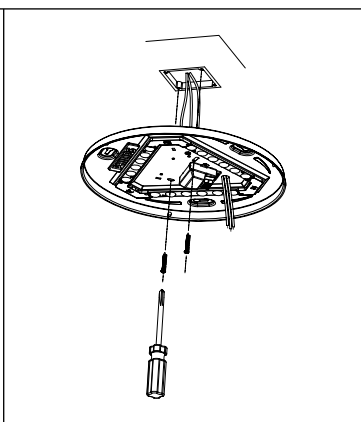
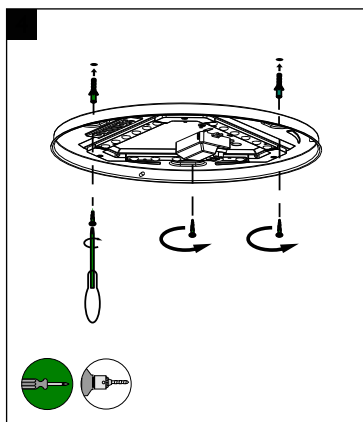
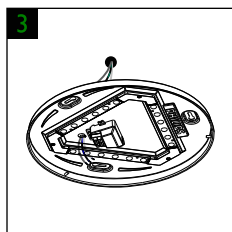
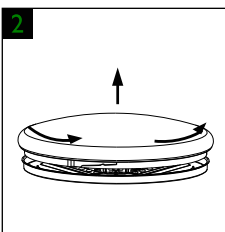
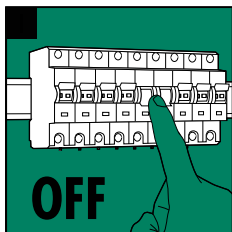
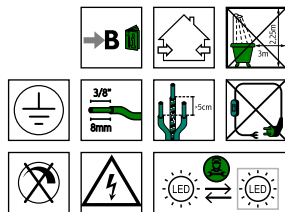
front

PHILIPS

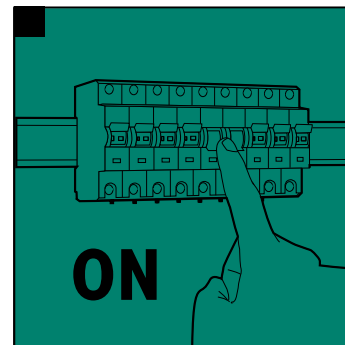
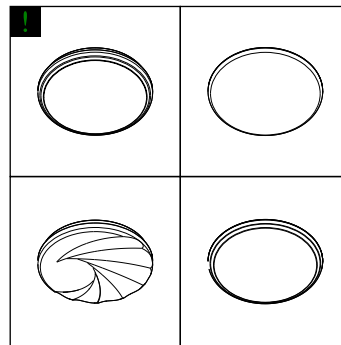
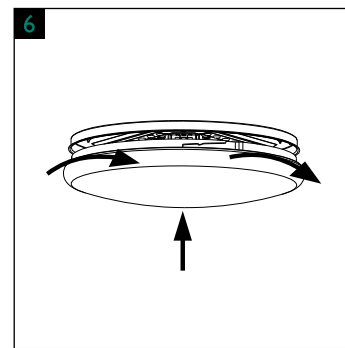
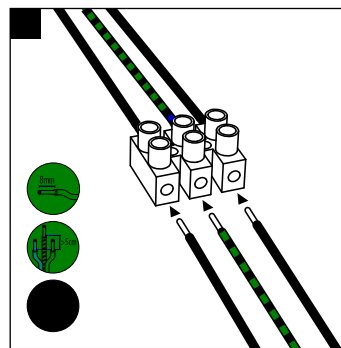
Moire CL200

Shore CL202

Twirly CL254



back



9150057789 9150057742 9150057765 318158717 318153117

9150057788 9290026221 9290025510 318158716 318153116

Philips and the Philips shield emblem are registered trademarks of Koninklijke Philips N.V.

Signify
I.B.R.S. / C.C.R.I. Numéro 10461
5600 VB Eindhoven, the Netherlands
www.philips.com/lighting
© 2021 Signify Holding

Signify Commercial UK Limited
Unit 3, Guildford Business Park,
Guildford, Surrey, GU2 8XG, UK



3241 657 49721

Last update: 02/02/21

size: 105mmx148mm