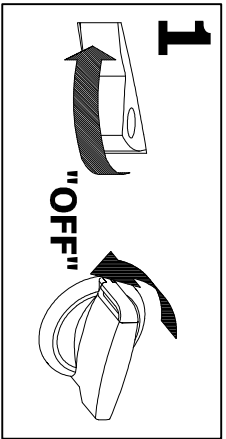
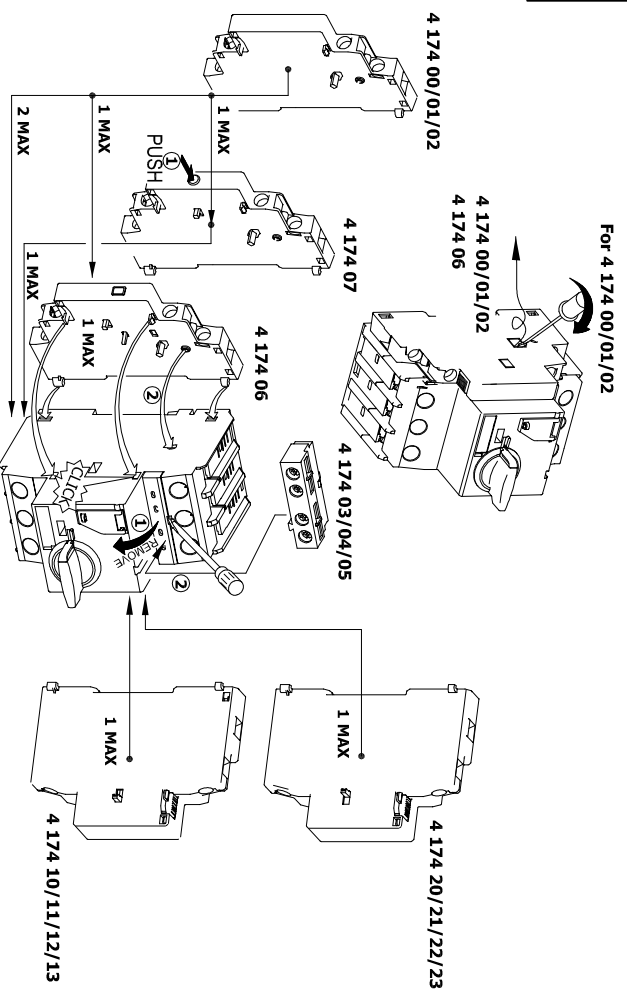


**MPX<sup>3</sup> 32S / MPX<sup>3</sup> 32H / MPX<sup>3</sup> 32MA**



**2**

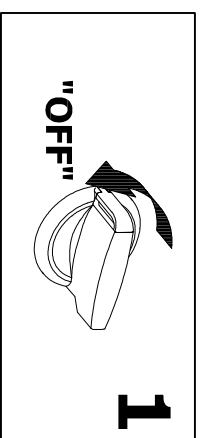


**3**

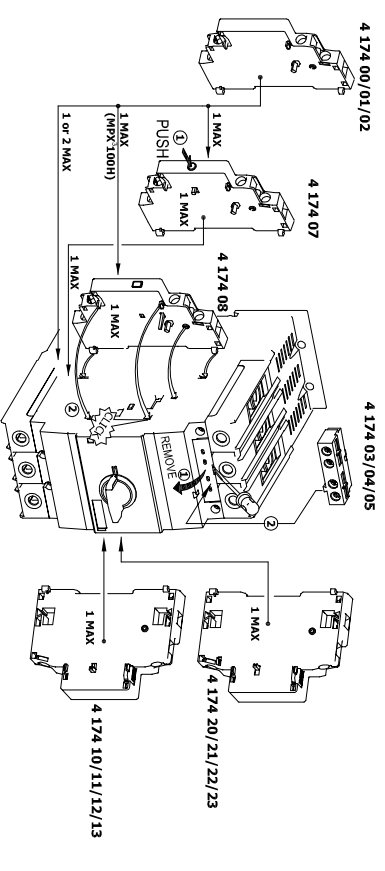
[mm <sup>2</sup> ] / [AWG]	[Nm] / [lb-in]
Ø5...6 [mm] / PZ2	
1-10 / 18-8	0.8-2.5 / 7-22
1-6 / 18-10	
1-6 / 18-10	
1-6 / 18-10	
1-6 / 18-10	
1-6 / 18-10	
0.75-4 / 18-10	

[mm <sup>2</sup> ] / [AWG]	[Nm] / [lb-in]
Ø5...6 [mm] / PZ2	
0.5-2.5 / 20-14	0.8-1.2 / 7-10
0.5-2.5 / 20-14	
0.5-4 / 20-10	
0.75-2.5 / 18-14	

**MPX<sup>3</sup> 63H / MPX<sup>3</sup> 100H**



**2**

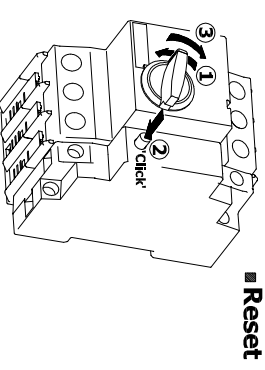
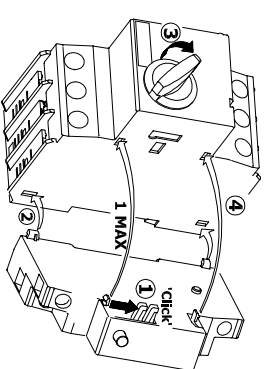


**3**

[mm <sup>2</sup> ] / [AWG]	[Nm] / [lb-in]
Ø5...6 [mm] / PZ2	
MPX <sup>3</sup> 63H	MPX <sup>3</sup> 100H
0.75-35 / 18-2	2.5-70 / 12-2
0.75-25 / 18-4	2.5-50 / 12-1
0.75-35 / 18-2	2.5-70 / 12-2
0.75-25 / 18-4	2.5-50 / 12-1
0.75-25 / 18-4	2.5-50 / 12-1
0.75-16 / 18-6	2.5-35 / 10-2
	MPX <sup>3</sup> 63H
	3-4.5 / 26-39
	MPX <sup>3</sup> 100H
	4-6 / 35-53

[mm <sup>2</sup> ] / [AWG]	[Nm] / [lb-in]
Ø5...6 [mm] / PZ2	
0.5-2.5 / 20-14	0.8-1.2 / 7-10
0.5-2.5 / 20-14	
0.5-4 / 20-10	
0.75-2.5 / 18-14	

**4 174 30/31/32/33**



- MPX<sup>3</sup> 32H / 32MA
- MPX<sup>3</sup> 63H
- MPX<sup>3</sup> 100H

■ Reset

