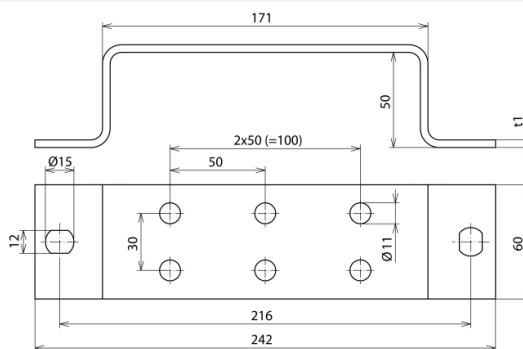


### ES 2X3 ASB11 STTZN (472 022)



Figure without obligation



Arrangement:



Type	ES 2X3 ASB11 STTZN
Part No.	472 022
Material	SttZn
Cross-section	240 mm <sup>2</sup>
Connection bores Ø	11 mm
Dimension s (l x w x d1)	242 x 60 x 4 mm
Fixing	[2x] 12 x 15 mm
Lightning current carrying capability (10/350 µs)	50 kA <sup>*)</sup>
Standard	EN 62561-1
Weight	588 g
Customs tariff number (Comb. Nomenclature EU)	85389099
GTIN	4013364030305
PU	1 pc(s)

<sup>\*)</sup> For exact assignment see test certificate.

We reserve the right to introduce changes in performance, configuration and technology, dimensions, weights and materials in the course of technical progress. The figures are shown without obligation.

Special designs available on request.