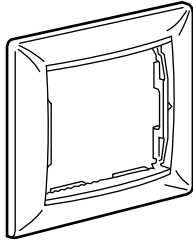
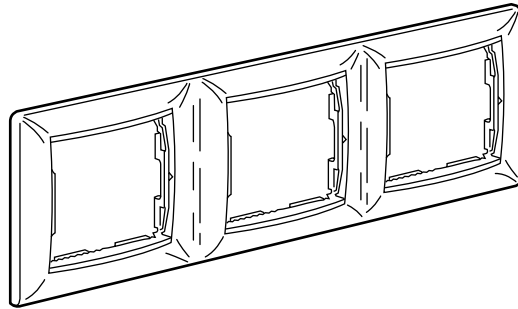


Valena™
Plates White finish

Cat. No(s): 7 704 20/71/72/73/74/75/76/77/91/92/93/94/95/96/97
7 744 51/52/53/54/55/56/57/61/62/63/64/65/66/67



7 744 51



7 744 53

1. USE

Face plates for Valena : 1 - 2 - 3 - 4 and 5-gang wiring accessories.
 Available in several colours.
 Can be transformed in vertical or horizontal plate by rotation of internal trim.

2. RANGE

1-gang plates - Horizontal

	■ White	7 744 51
	■ White / Crystal	7 744 61
	■ White / Silver	7 704 91
	■ Light Pearl	7 704 71
	■ Pied de Poule	7 704 20

2-gang plates - Horizontal

	■ White	7 744 52
	■ White / Crystal	7 744 62
	■ White / Silver	7 704 92
	■ Light Pearl	7 704 72

2-gang plates - Vertical

	■ White	7 744 56
	■ White / Crystal	7 744 66
	■ White / Silver	7 704 96
	■ Light Pearl	7 704 76

3-gang plates - Horizontal

	■ White	7 744 53
	■ White / Crystal	7 744 63
	■ White / Silver	7 704 93
	■ Light Pearl	7 704 73

3-gang plates - Vertical

	■ White	7 744 57
	■ White / Crystal	7 744 67
	■ White / Silver	7 704 97
	■ Light Pearl	7 704 77

2. RANGE (continued)

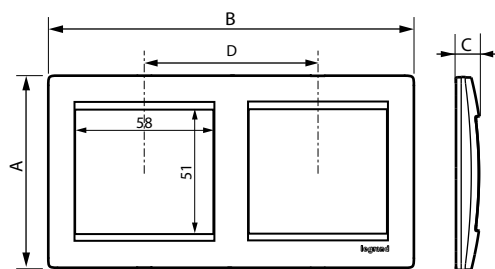
4-gang plates - Horizontal / Vertical (§ 4.2)

	■ White	7 744 54
	■ White / Crystal	7 744 64
	■ White / Silver	7 704 94
	■ Light Pearl	7 704 74

5-gang plates - Horizontal

	■ White	7 744 55
	■ White / Crystal	7 744 65
	■ White / Silver	7 704 95
	■ Light Pearl	7 704 75

3. OVERALL DIMENSIONS (mm)

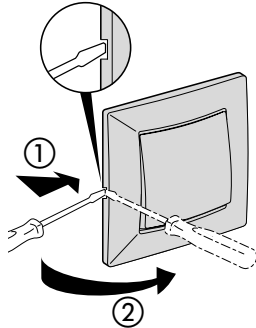


	A	B	C	D
1-gang	86	86	11	-
2-gang	86	157	11	71
3-gang	86	228	11	71
4-gang	86	299	11	71
5-gang	86	370	11	71

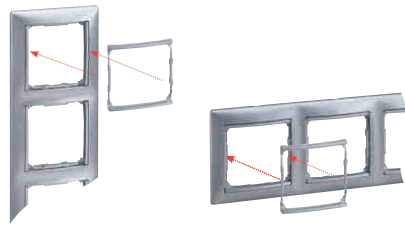
4. MOUNTING

■ 4.1 Plates

Easy to remove with a screwdriver using the slots on the side of the plate.



■ 4.2 Trims



Necessary to reposition the trims in 4 and 5 gang installations.
If you need to install the plates horizontally it's necessary to remove the trims and reposition them.

5. TECHNICAL CHARACTERISTICS

■ 5.1 Mechanical characteristics

Impact tests: IK 04

■ 5.2 Material characteristics

Material: Polycarbonate
White RAL 9003
Halogen free
UV resistant
Self-extinguishing: 650° C / 30 s

■ 5.2 Climatic characteristics

Storage and usage temperature: - 5° C to + 40° C

6. CLEANING

Clean the surface with a cloth.
Do not use acetone, tar-removing cleaning agents or trichloroethylene.

Resistance to the following cleaning substances:

- Hexane (EN 60669-1)
- Methylated spirit
- Soapy water
- Diluted ammonia
- Diluted pure bleach 10%
- Glass cleaning product (Ethanol 1%, Butylglycol 6%)

Caution: An initial test is required for the use of other special maintenance products.

7. SPECIAL USE

The plates must not be painted.