

Product Environmental Profile

VALENA

One-way switch 10AX 250V~ white

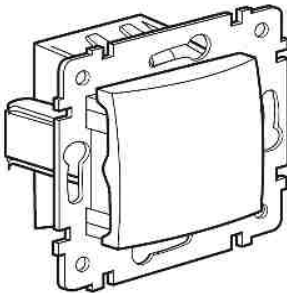
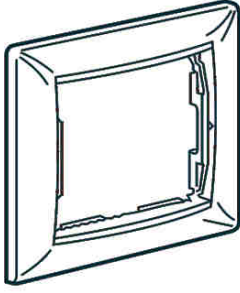


LEGRAND'S ENVIRONMENTAL COMMITMENTS

- Incorporate environmental management into our industrial sites
Of all Legrand sites worldwide, over 85% are ISO 14001-certified (sites belonging to the Group for more than five years).
- Offer our customers environmentally friendly solutions
Develop innovative solutions to help our customers design more energy efficient, better managed and more environmentally friendly installations.
- Involve the environment in product design and provide informations in compliance with ISO 14025
Reduce the environmental impact of products over their whole life cycle.
Provide our customers with all relevant information (composition, consumption, end of life, etc.).



REFERENCE PRODUCT

Function	Establish, support and interrupt for 20 years rated currents in normal conditions of circuit characterized to a 250 V low voltage with rated load not exceeding 10A.	
Reference Product		
	774401	774451
	Mechanism	Plate
	One-way switch 10AX 250V white	

The company reserves the right to change specifications and designs without notice. All illustrations, descriptions, dimensions and weights in the document are for guidance and cannot be held binding on the company.



PRODUCTS CONCERNED

The environmental data is representative of the following products:

Mechanism (with rocker)	Plate
<ul style="list-style-type: none"> • 774401 • 774301 • 770101 • 774406 	<ul style="list-style-type: none"> • 774451 • 774351 • 770151

Product Environmental Profile

VALENA

One-way switch 10AX 250V~ white



CONSTITUENT MATERIALS

This Reference Product contains no substances prohibited by the regulations applicable at the time of its introduction to the market. It respects the restrictions on use of hazardous substances as defined in the RoHS directive 2011/65/EU.

Total weight of Reference Product		130 g (all packaging included)			
Plastics as % of weight		Metals as % of weight		Packaging as % of weight	
PC	38.1%	Steel	20.8%	Wood (packaging)	19.3 %
		Copper Alloys	1.5%	Paper (packaging)	18.7 %
		Other metal	0.9 %	PE (packaging)	0.2 %
				PP (packaging)	0.5 %
		Al	< 0.1%		
Total plastics	38.1%	Total metals	23.2 %	Total other and packaging	38,7 %

Estimated recycled material content: 17 % by mass.



MANUFACTURE

This Reference Product comes from sites that, in the majority, have received ISO14001 certification.



DISTRIBUTION

Products are distributed from logistics centres located with a view to optimize transport efficiency. The Reference Product is therefore transported over an average distance of 1405 km by road from our warehouse to the local point of distribution into the market in Europe..

Packaging is compliant with European directive 2004/12/EU concerning packaging and packaging waste. At their end of life, its recyclability rate is 96 % (in % of packaging weight).



INSTALLATION

For the installation of the product, only standard tools are needed.



USE

Under normal conditions of use, this product requires no servicing, no maintenance or additional products.

Product Environmental Profile

VALENA

One-way switch 10AX 250V~ white



END OF LIFE

The product end-of-life factors are taken into account during the design phase. Dismantling and sorting of components or materials is made as easy as possible with a view to recycling or failing that, another form of reuse.

•Recyclability rate

Calculated using the method described in technical report IEC/TR 62635, the recyclability rate of the product is estimated at 96%. This value is based on data collected from a technological channel using industrial procedures. It does not pre-validate the effective use of this channel for end-of-life electrical and electronic products.

Separated into:

- plastic materials (excluding packaging) : 36 %
- metal materials (excluding packaging) : 23 %
- packaging (all types of materilas) : 37 %



ENVIRONMENTAL IMPACTS

The evaluation of environmental impacts examines the stages of the Reference Product life cycle : manufacturing, distribution, installation, use and end-of-life. It is representative from products marketed and used in Europe.

For each phase, the following modelling elements were taken in account:

Manufacture	Materials and components of the product, all transport for the manufacturing, the packaging and the waste generated by the manufacturing.
Distribution	Transport between the last Group distribution centre and an average delivery point in the sales area.
Installation	The end of life of the packaging.
Use	<ul style="list-style-type: none"> • Product category: PSR0005-ed2-2016 03 29 - § 3.5 Switches • Use scenario : non-continuous operation for 20 years at 50% of rated load, during 30% of the time. This modelling duration does not constitute a minimum durability requirement. • Energy model: Electricity Mix; Europe 27 2002
End of life	The default end of life scenario maximizing the environmental impacts.
Software and database used	EIME V5 and its database «CODDE-2015-04»

Product Environmental Profile

VALENA

One-way switch 10AX 250V~ white



SELECTION OF ENVIRONMENTAL IMPACTS

	Total for Life cycle		Raw material and manufacture		Distribution		Installation		Use		End of life	
	Value	Unit	Value	%	Value	%	Value	%	Value	%	Value	%
Global warming	6.50E+00	kgCO2 eq.	7.64E-01	12%	9.08E-03	< 1%	2.86E-03	< 1%	5.72E+00	88%	7.87E-03	< 1%
Ozone depletion	1.42E-06	kgCFC-11 eq.	3.15E-08	2%	1.84E-11	< 1%	1.56E-11	< 1%	1.39E-06	98%	1.64E-10	< 1%
Acidification of soils and water	4.43E-02	kgSO2 eq.	9.87E-04	2%	4.08E-05	< 1%	1.34E-05	< 1%	4.33E-02	98%	3.08E-05	< 1%
Water eutrophication	1.93E-03	kg(PO4)3- eq.	2.50E-04	13%	9.37E-06	< 1%	9.74E-06	< 1%	1.62E-03	84%	3.95E-05	2%
Photochemical ozone formation	2.20E-03	kgC2H4 eq.	1.48E-04	7%	2.90E-06	< 1%	9.52E-07	< 1%	2.04E-03	93%	2.38E-06	< 1%
Depletion of abiotic resources - elements	5.58E-06	kgSb eq.	5.32E-06	95%	3.63E-10	< 1%	1.22E-10	< 1%	2.61E-07	5%	4.64E-10	< 1%
Total use of primary energy	1.13E+02	MJ	1.39E+01	12%	1.22E-01	< 1%	3.77E-02	< 1%	9.87E+01	87%	8.61E-02	< 1%
Net use of fresh water	2.04E-02	m3	5.47E-03	27%	8.13E-07	< 1%	6.79E-07	< 1%	1.49E-02	73%	5.72E-06	< 1%
Depletion of abiotic resources - fossil fuels	6.88E+01	MJ	9.65E+00	14%	1.28E-01	< 1%	4.01E-02	< 1%	5.89E+01	86%	1.10E-01	< 1%
Water pollution	5.71E+02	m3	3.28E+02	57%	1.49E+00	< 1%	4.51E-01	< 1%	2.40E+02	42%	9.47E-01	< 1%
Air pollution	3.24E+02	m3	7.75E+01	24%	3.72E-01	< 1%	2.55E-01	< 1%	2.45E+02	76%	8.14E-01	< 1%

The values of the 27 impacts defined in the PCR-ed3-EN-2015 04 02 are available in the digital database of pep-ecopassport.org website.

For products covered by the PEP other than the Reference product, the environmental impacts of each phase of the lifecycle are assimilated to the impacts of the Reference Product.

Registration N°: LGRP-00488-V01-01-EN	Drafting rules: PEP-PCR-ed3-EN-2015 04 02 Supplemented by PSR-005-ed2-EN-2016 03 29
Verifier accreditation N°: VH23	Information and reference documents : www.pep-ecopassport.org
Date of issue: 01-2018	Validity period: 5 years
Independent verification of the declaration and data, in compliance with ISO 14025:2010 Internal <input checked="" type="checkbox"/> External <input type="checkbox"/>	
The PCR review was conducted by a panel of experts chaired by Philippe Osset (SOLINNEN)	
The elements of the present PEP cannot be compared with elements from another program	
Document in compliance with ISO 14025 : 2010: «Environmental labels and declarations. Type III environmental declarations»	
Environmental data in alignment with EN 15804 : 2012 + A1 : 2013	

