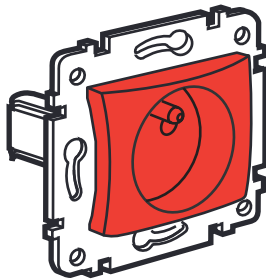
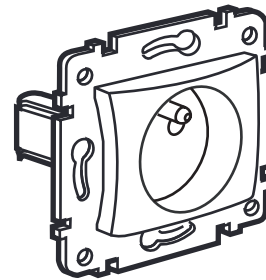


Valena™ Socket outlets - French standard

Cat. No(s): 7 700 90 - 7 701 16/96/97
 7 743 16/96/97/98/99 - 7 744 16



7 700 90



7 743 96

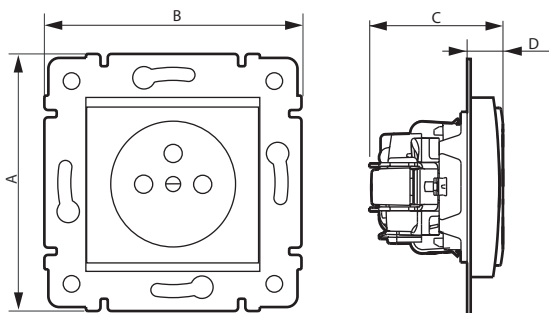
1. USE

French standard 10/16 A - 250 V~ socket outlets.
 To be equipped with plates.
 Screw or claw fixing.

2. RANGE

Description	Ivory	White	Aluminium
2 P socket outlets 10/16 A - 250 V~			
2 P socket outlets	7 743 16	7 744 16	7 701 16
2 P+E socket outlets 10/16 A - 250 V~			
2 P+E socket without shutters	7 743 98	7 743 96	7 701 96
2 P+E socket with shutters	7 743 99	7 743 97	7 701 97
Description	Red		
2 P+E socket outlets 10/16 A - 250 V~ with coloured cover plate			
2 P+E socket outlets with red cover plate With tamperproof	7 700 90		

3. OVERALL DIMENSIONS (mm)



References	A	B	C	D
7 743 16 - 7 744 16 - 7 701 16	71	71	40	12
7 743 96/97/98/99 - 7 701 96/97 - 7 700 90	71	71	43	12

4. CONNECTION

Type of terminals: with screw
 Capacity: 2 x 2.5 mm²
 Stripping length: 10 mm
 Screwdriver: Posidrive 1, Philips 1, flat 4 mm
 Flexible or rigid cables compatible

5. TECHNICAL CHARACTERISTICS

■ 5.1 Mechanical characteristics

Protection against solid bodies and liquids: IP 21-D
 Protection against impact: IK 04

■ 5.2 Material characteristics

Colour: - White RAL 9003
 - Ivory RAL 1013
 - Aluminium RAL 7040 (closest color), water based paint
 Material: - Plate: Polycarbonate
 - Socket cover plate: Polycarbonate
 - Halogen free
 - UV resistant
 - Support: Zinc plated steel

Self-extinguishing:

+ 850° C / 30 s for insulating parts holding live parts in place
 + 650° C / 30 s for other parts made of insulating materials

■ 5.3 Electrical characteristics

Voltage: 250 V~
 Current: 16 A
 Frequency: 50/60 Hz

■ 5.4 Climatic characteristics

Storage and use temperature: - 5° C to + 40° C

6. MAINTENANCE

Clean the surface with a cloth.
 Do not use acetone, tar-removing cleaning agents or trichloroethylene.

Resistance to the following cleaning substances:

- Hexane
- Methylated spirit
- Soapy water
- Diluted ammonia
- Diluted pure bleach 10%
- Glass cleaning product (Ethanol 1%, Butylglycol 6%)

Caution: A preliminary test should be carried out if other specific cleaning products are to be used.

7. STANDARDS AND APPROVALS

Compliance with standards of installation and manufacturing.
Refer to e. catalogue.