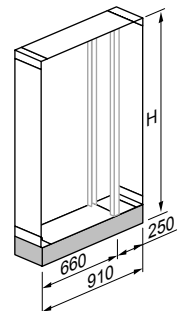
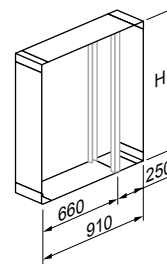
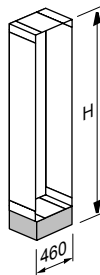
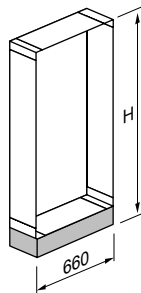
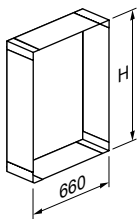
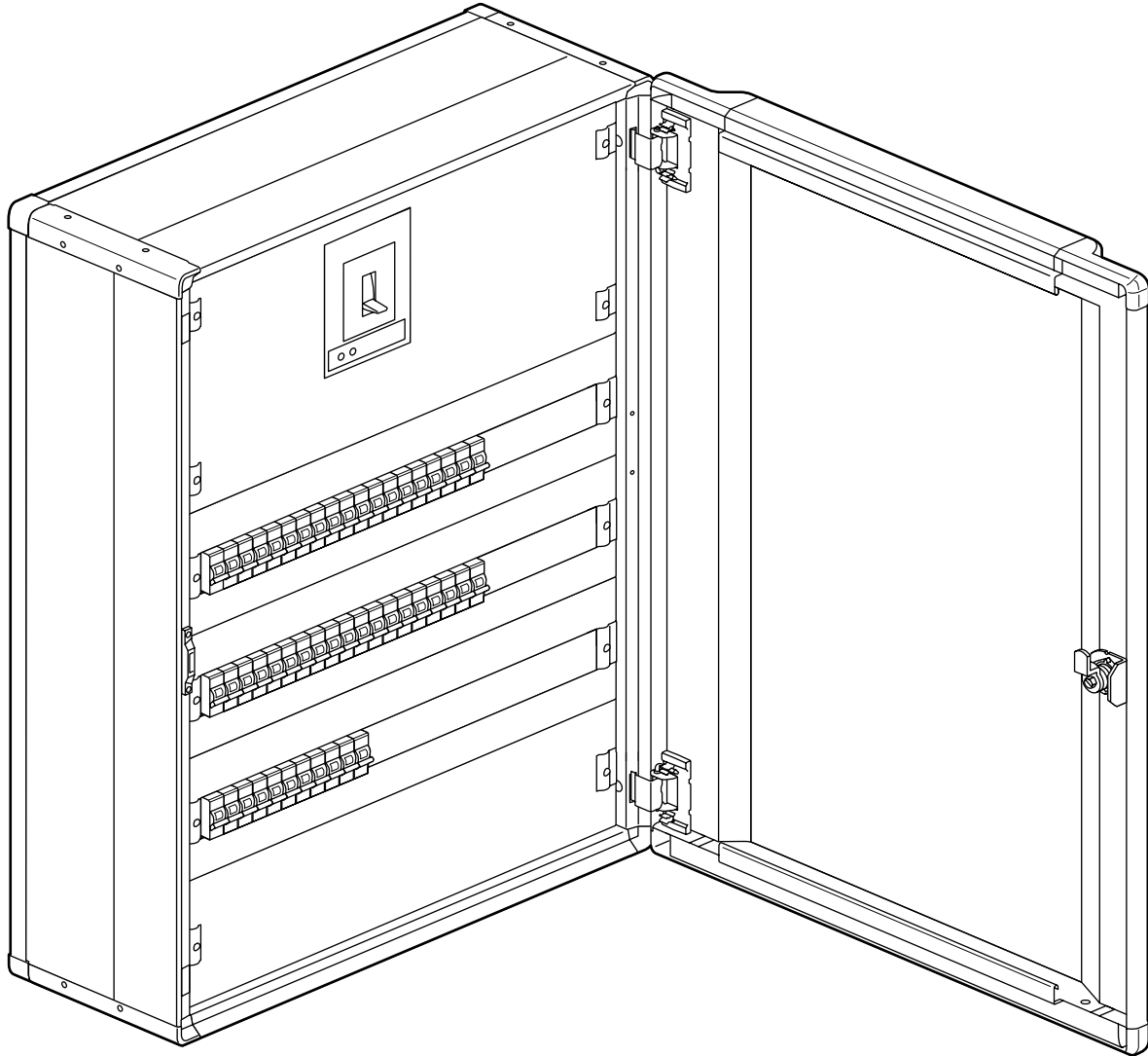


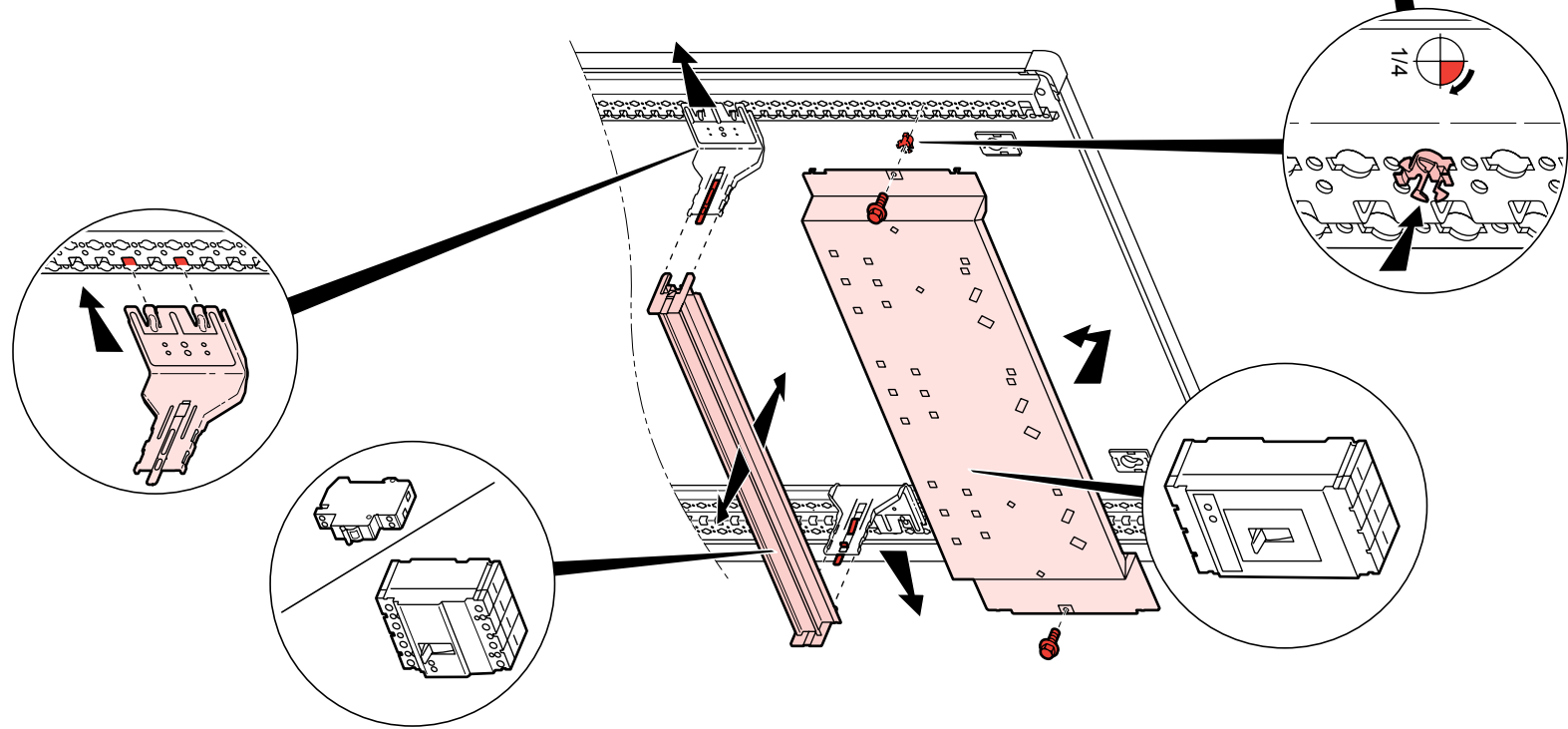
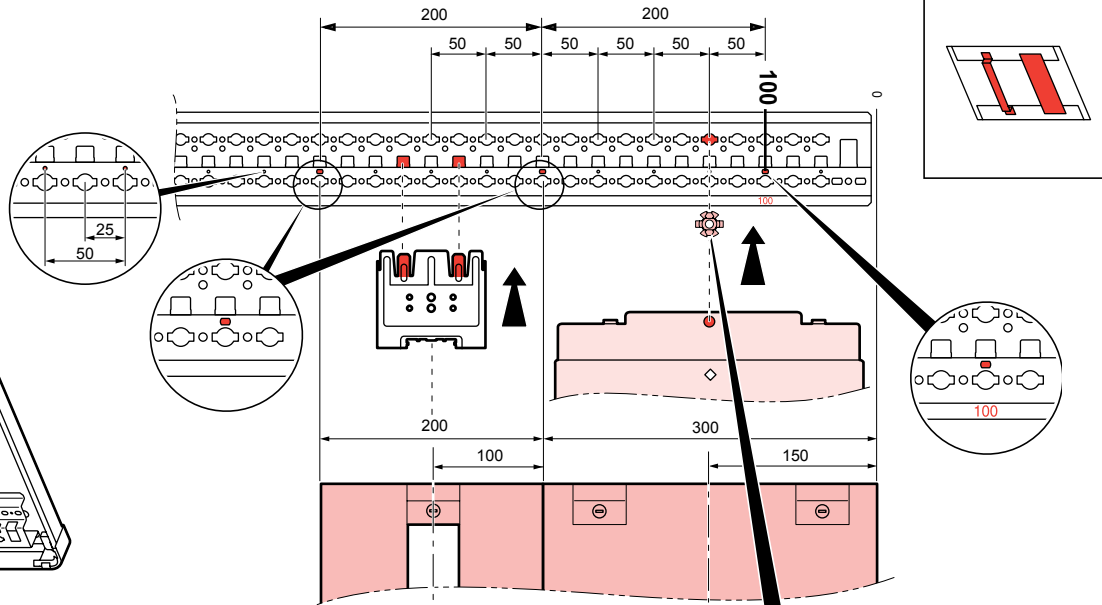
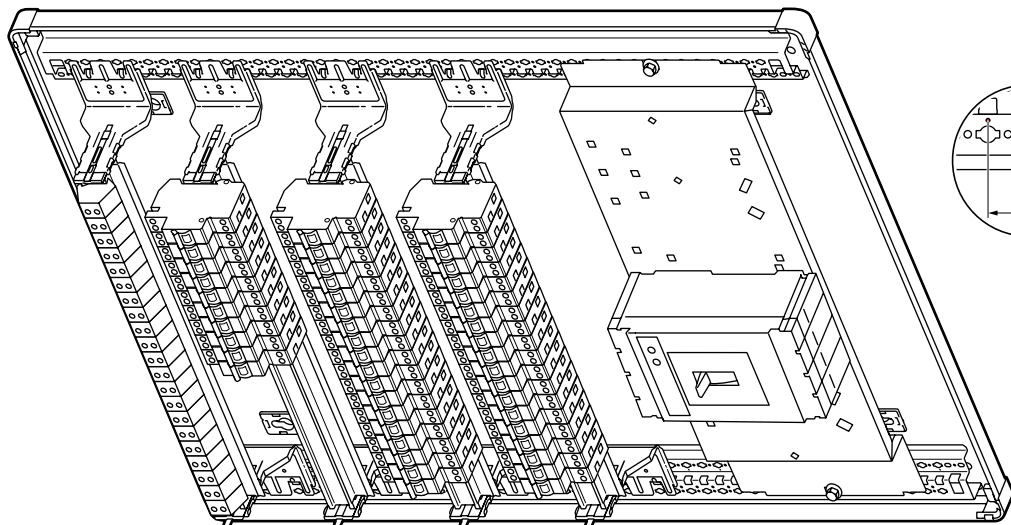
XL³ 800

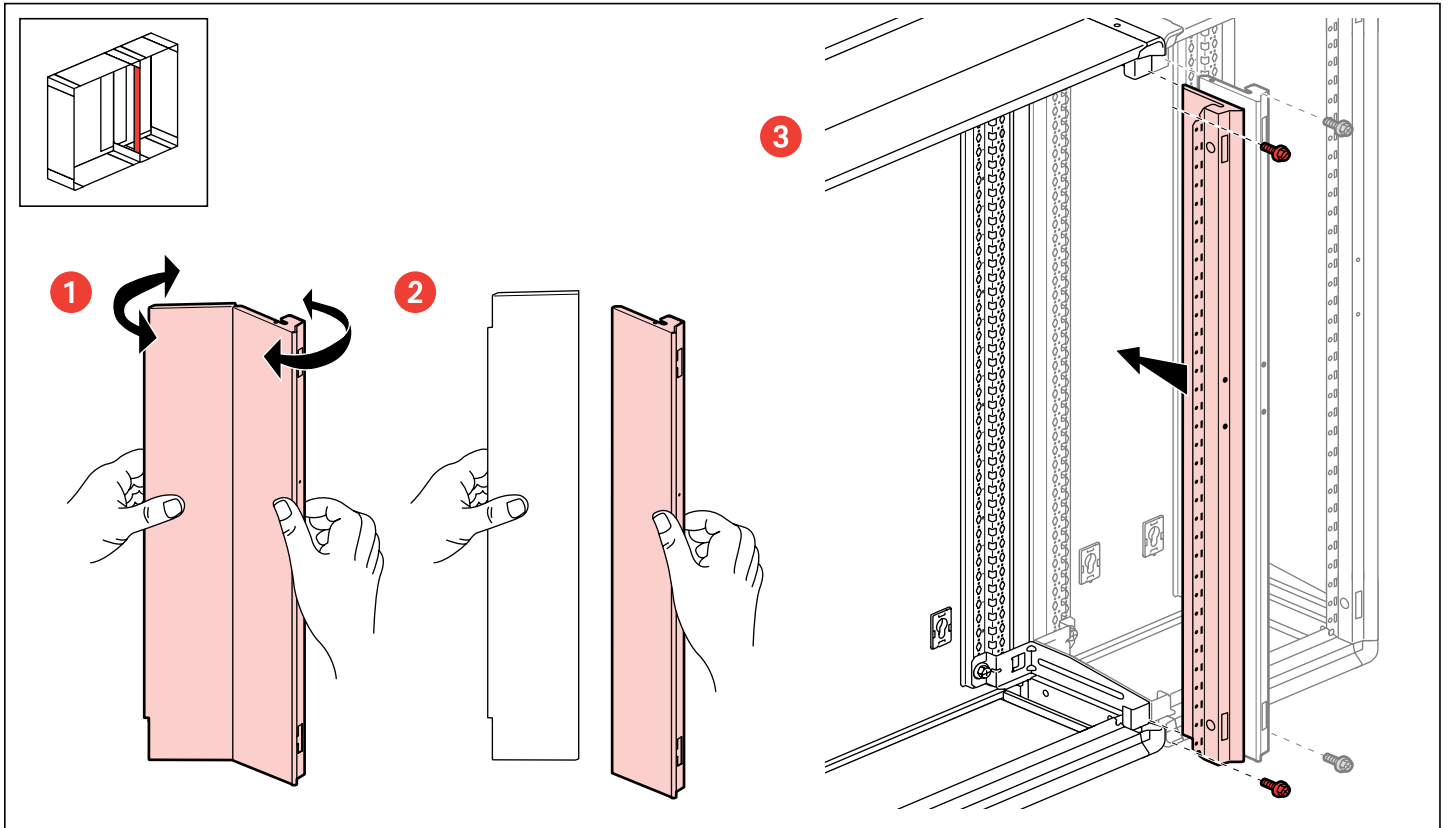
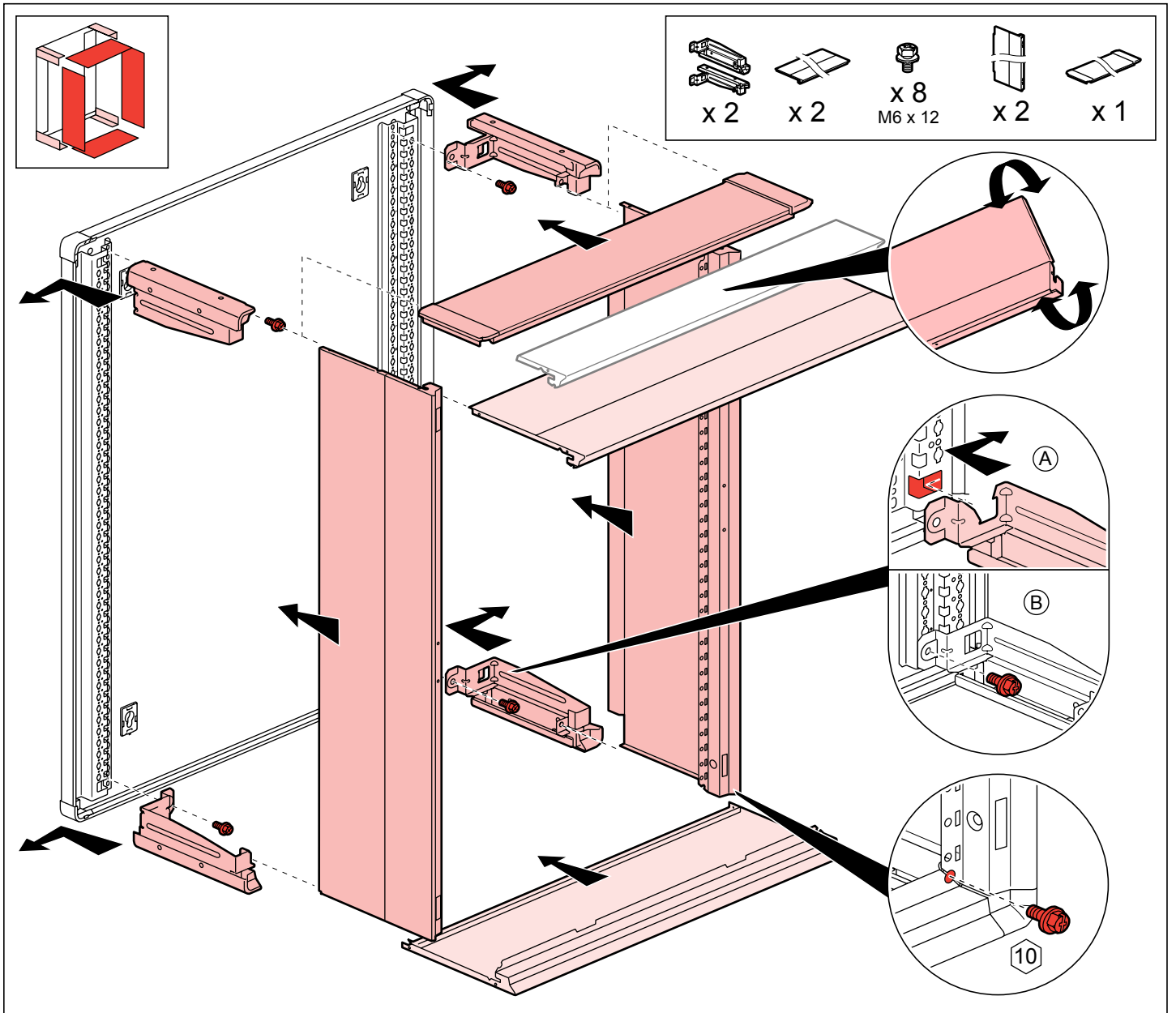
204 01/02/03/04/06/07/08/09/23/24

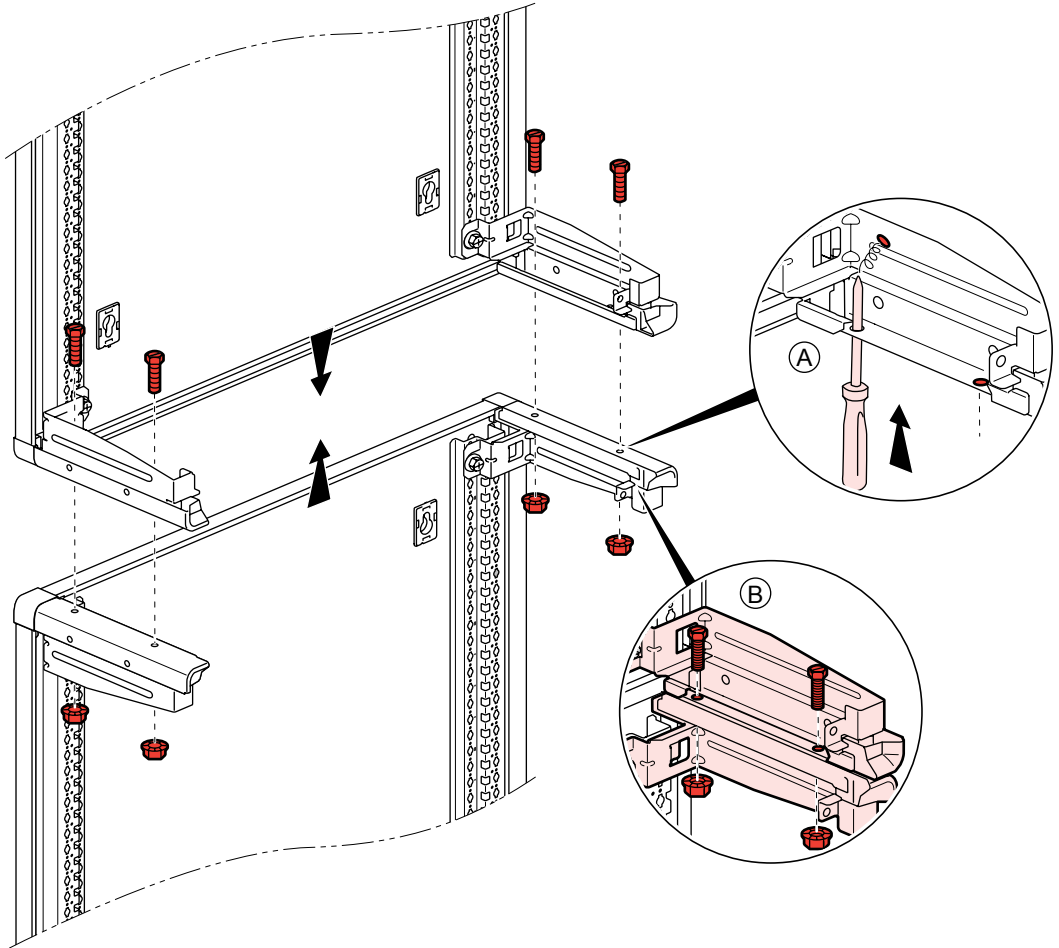
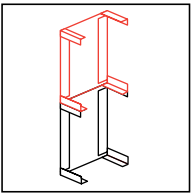
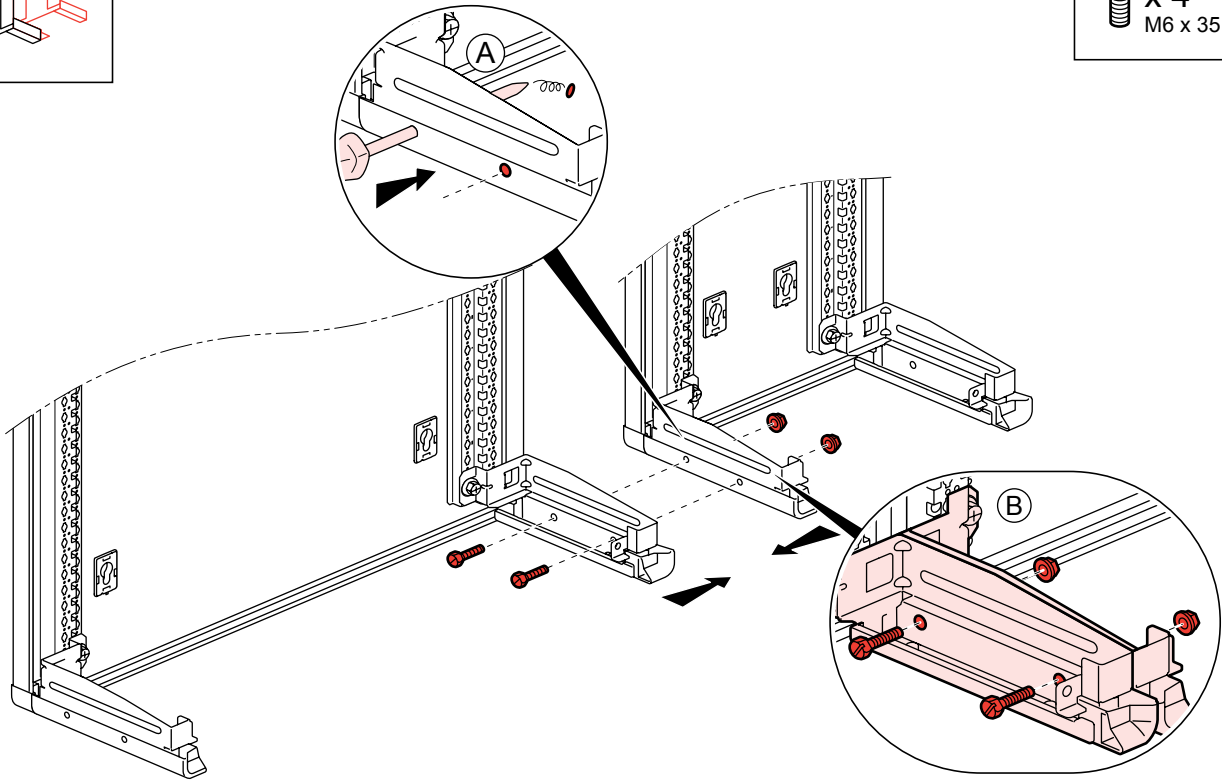
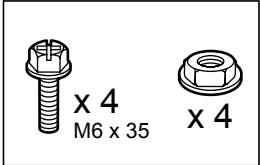
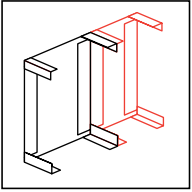


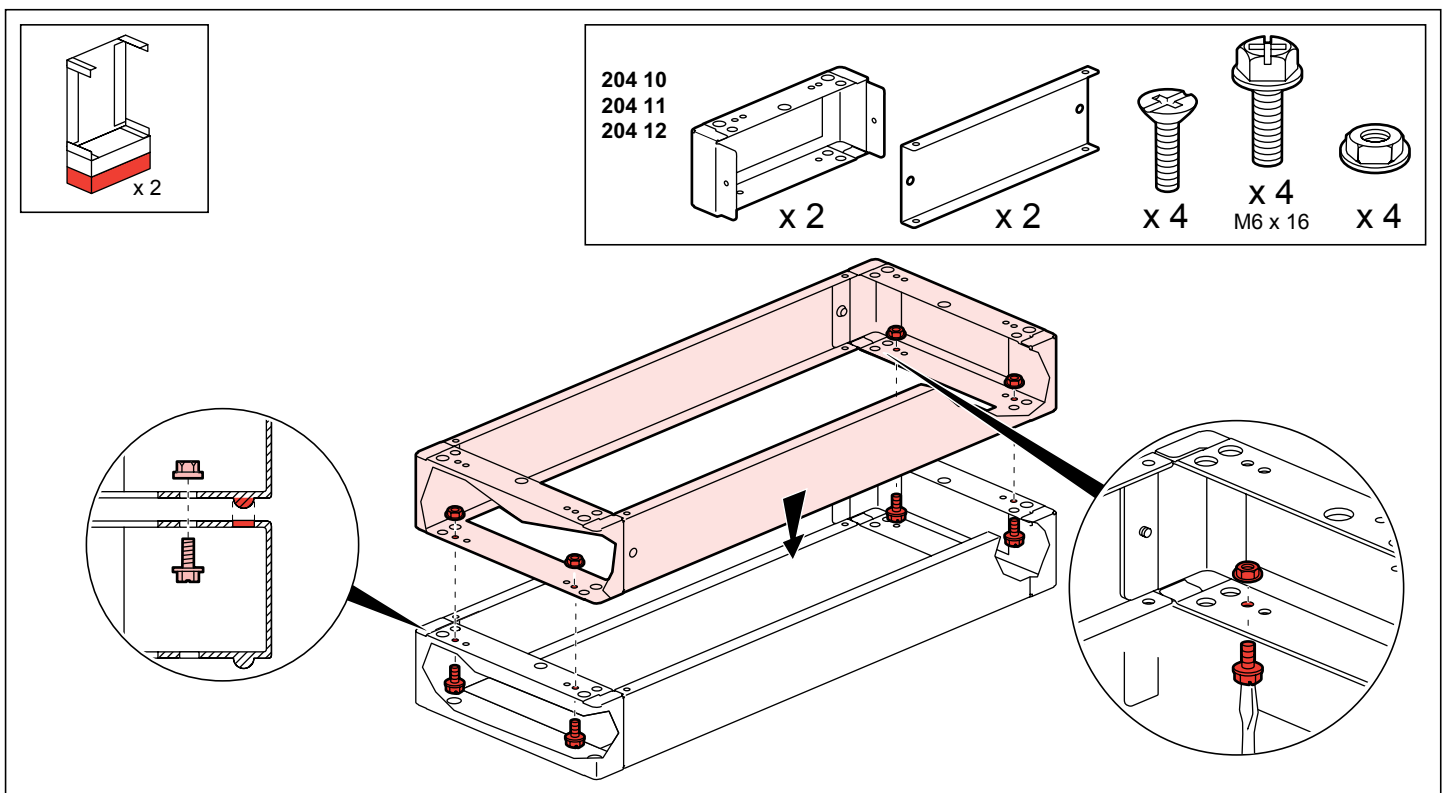
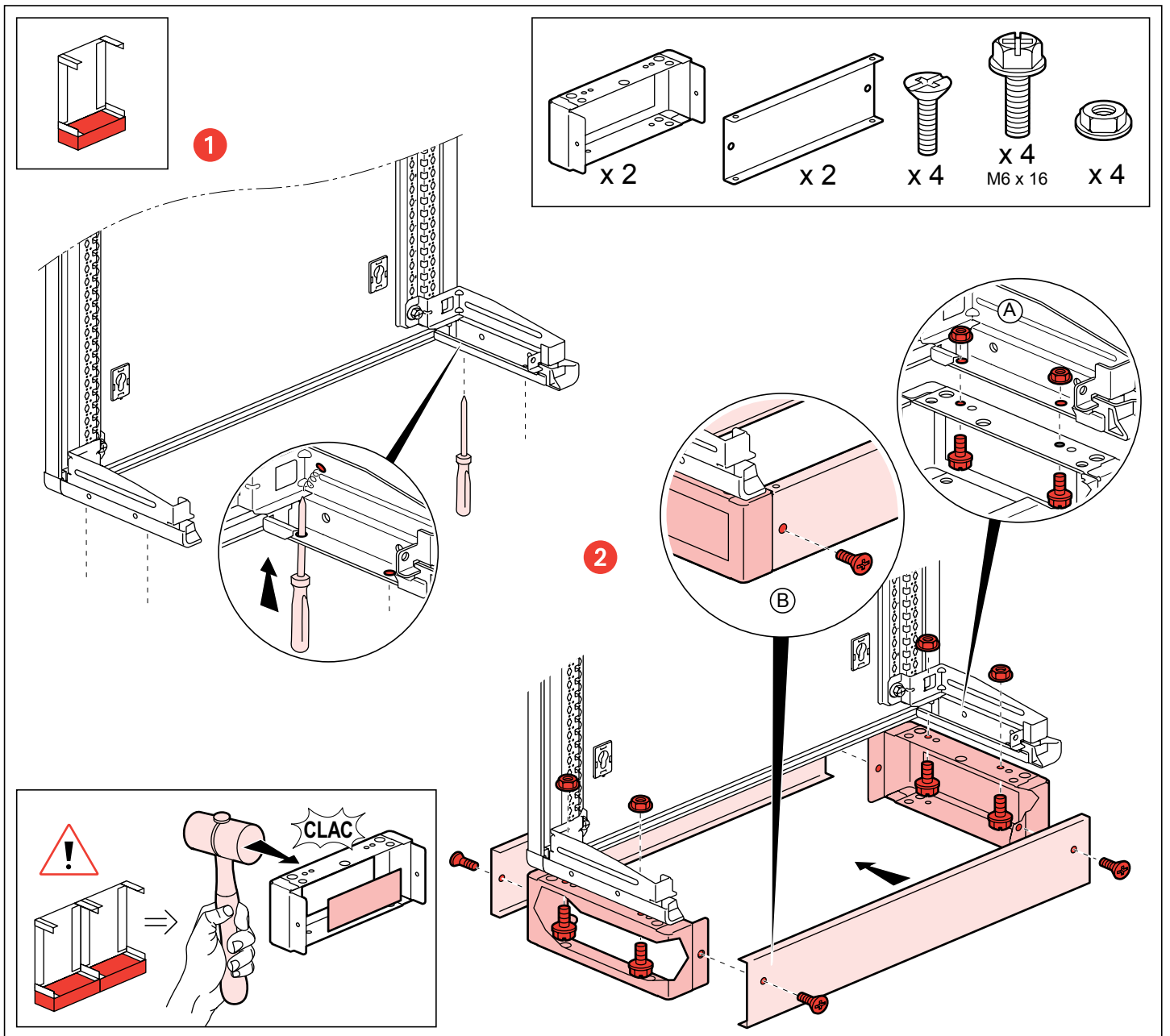
H (mm)	art.	H (mm)	art.	H (mm)	art.	H (mm)	art.	H (mm)	art.
1050	20401					1050	20406		
1250	20402					1250	20407		
		1550	20403	1550	20423			1550	20408
		1950	20404	1950	20424			1950	20409

E6945E

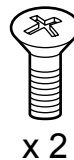
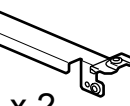
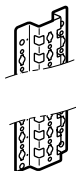








204 26/27/28/29



x 8

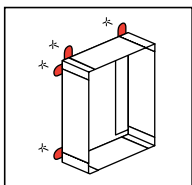
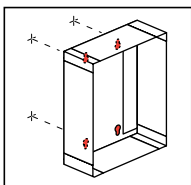
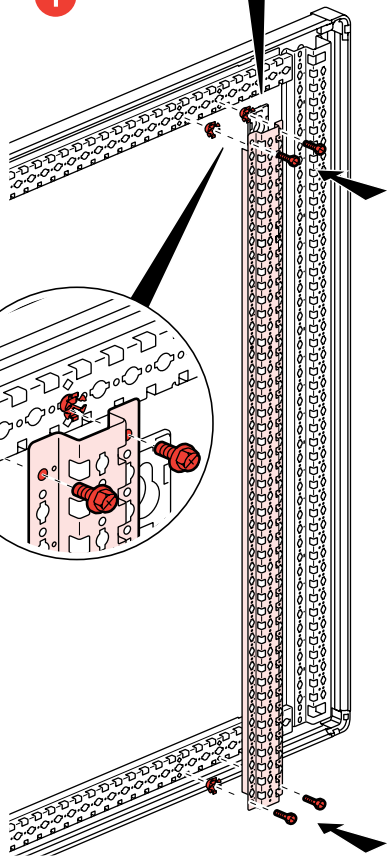
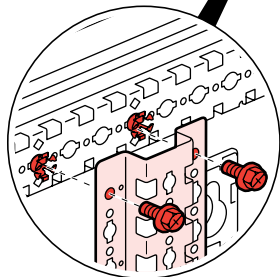
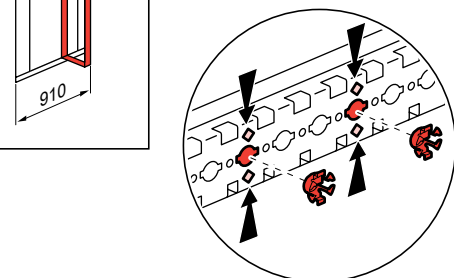
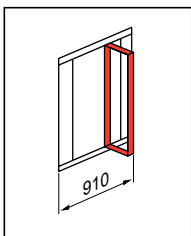
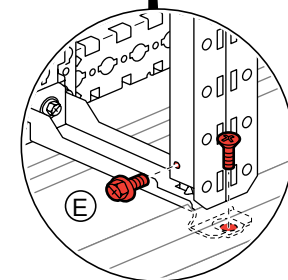
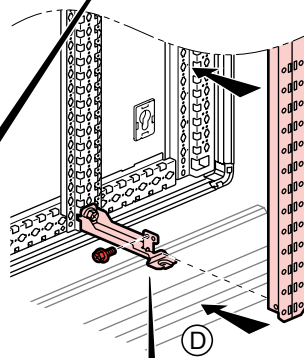
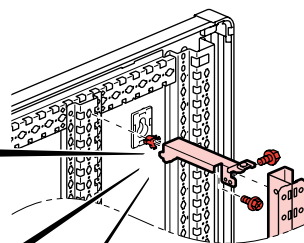
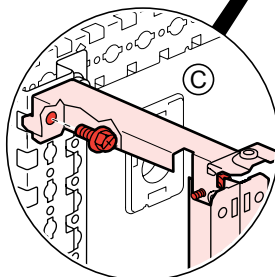
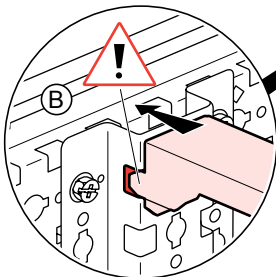
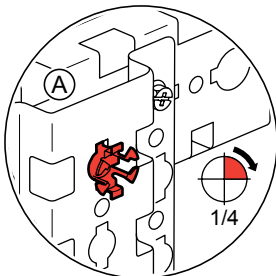
x 2

x 2

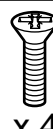
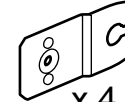
x 6

1

2



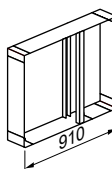
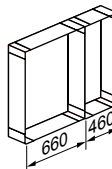
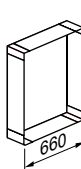
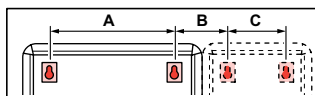
201 00



x 4

x 4

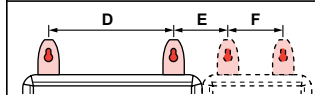
x 4



A = 415

A = 415
B = 245
C = 215

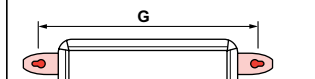
A = 665



D = 560

D = 560
E = 100
F = 360

D = 810



G = 710

G = 1170

G = 960

