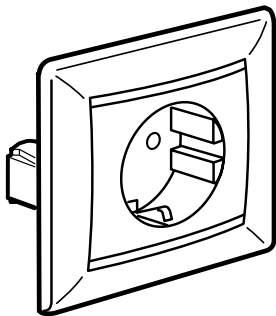
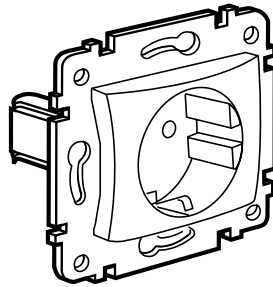


Valena™
Socket outlets - German standard

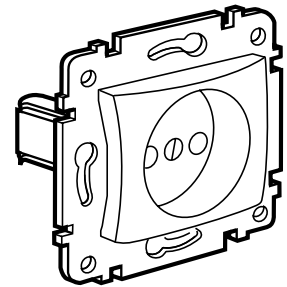
Cat. No(s): 7 701 16/20/21/22/23/94 - 7 702 11/19
7 741 19/22 - 7 742 19/22
7 743 16/20/21/22/23/27/72/73/94/95 - 7 744 16/20/21/22/23



7 744 23



7 744 20



7 744 16

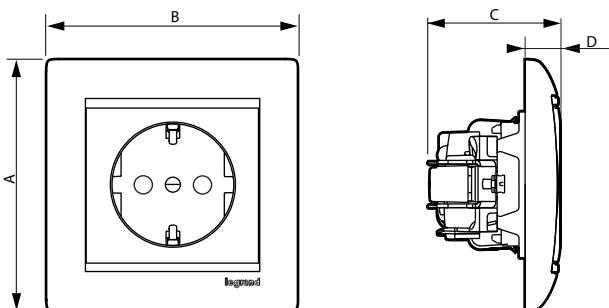
1. USE

German standard 10/16 A - 250 V~ socket outlets.
 To be equipped with plates.
 Screw or claw fixing.

2. RANGE

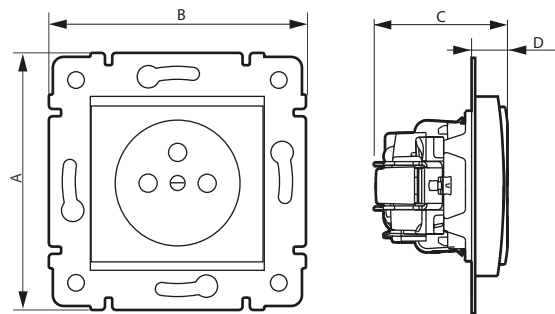
Description	Ivory	White	Aluminium
2 P socket outlets 10/16 A - 250 V~			
2 P socket	7 743 16	7 744 16	7 701 16
2 P+E socket outlets 10/16 A - 250 V~			
2 P+E socket with shutters	7 741 22 7 743 21	7 742 22 7 744 21	7 702 11 7 701 21
2 P+E socket without shutters	7 743 20	7 744 20	7 701 20
2 P+E socket outlets with flap	7 743 22	7 744 22	7 701 22
2 P+E socket with mechanical ejecting system for plug	7 743 95	7 743 94	7 701 94
2 P+E socket outlets 10/16 A - 250 V~ supplied complete			
2 P+E socket, monobloc, with cover plate and plate	7 743 23 7 741 19	7 744 23 7 742 19	7 701 23 7 702 19
Description	Red	Green	Orange
2 P+E socket outlets 10/16 A - 250 V~ with coloured cover plate			
2 P+E socket outlets with coloured cover plate *7 743 27: Red with tamperproof	7 743 27*	7 743 72	7 743 73

3. OVERALL DIMENSIONS (mm)



Cat. No 7 744 23

3. OVERALL DIMENSIONS (mm) (continued)



Socket outlets	A	B	C	D
7 743 16 - 7 744 16 - 7 701 16	71	71	40	12
7 741 22 - 7 742 22 - 7 702 11 7 743 21 - 7 744 21 - 7 701 21	71	71	43	12
7 743 20/94/95 - 7 744 20 - 7 701 20/94	71	71	43	12
7 743 22 - 7 744 22 - 7 701 22	71	71	43	12
7 743 23 - 7 744 23 - 7 701 23 7 741 19 - 7 742 19 - 7 702 19	82	82	43	12
7 743 27 - 7 743 72/73	71	71	43	12

4. CONNECTION

• Cat. Nos. 7 741 19/22 - 7 742 19/22 - 7 702 11/19

Automatic terminals

Capacity: 2 x 2.5 mm²
 Stripping length: 12 mm
 Flexible or rigid cables compatible

• Cat. Nos. 7 743 20/21/22/23/27/72/73/94/95

7 744 20/21/22/23 - 7 701 20/21/22/23/94

Screw terminals

- For Ref. 7 743 23 - 7 744 23 - 7 701 23:
 Capacity: 1 x 6 mm² - 2 x 4 mm² - 3 x 2.5 mm²

- For other Ref.:
 Capacity: 2 x 2.5 mm²
 Stripping length: 10 mm
 Screwdriver: Posidrive 1, Philips 1, flat 4 mm
 Flexible or rigid cables compatible

5. TECHNICAL CHARACTERISTICS

■ 5.1 Mechanical characteristics

Protection against solid bodies and liquids: IP 21-D
Protection against impact: IK 04

■ 5.2 Material characteristics

Colour: - White RAL 9003
- Ivory RAL 1013
- Aluminium RAL 7040 (closest color), water based paint

Material: - Plate: Polycarbonate

- Socket cover plate: Polycarbonate
- Halogen free
- UV resistant
- Support: Zinc plated steel

Self-extinguishing:

+ 850° C / 30 s for insulating parts holding live parts in place
+ 650° C / 30 s for other parts made of insulating materials

■ 5.3 Electrical characteristics

Voltage: 250 V~

Current: 16 A

Frequency: 50/60 Hz

■ 5.4 Climatic characteristics

Storage and use temperature: - 5° C to + 40° C

6. MAINTENANCE

Clean the surface with a cloth.

Do not use acetone, tar-removing cleaning agents or trichloroethylene.

Resistance to the following cleaning substances:

- Hexane
- Methylated spirit
- Soapy water
- Diluted ammonia
- Diluted pure bleach 10%
- Glass cleaning product (Ethanol 1%, Butylglycol 6%)

Caution: A preliminary test should be carried out if other specific cleaning products are to be used.

7. STANDARDS AND APPROVALS

Compliance with standards of installation and manufacturing.
Refer to e. catalogue.