

FCF 54

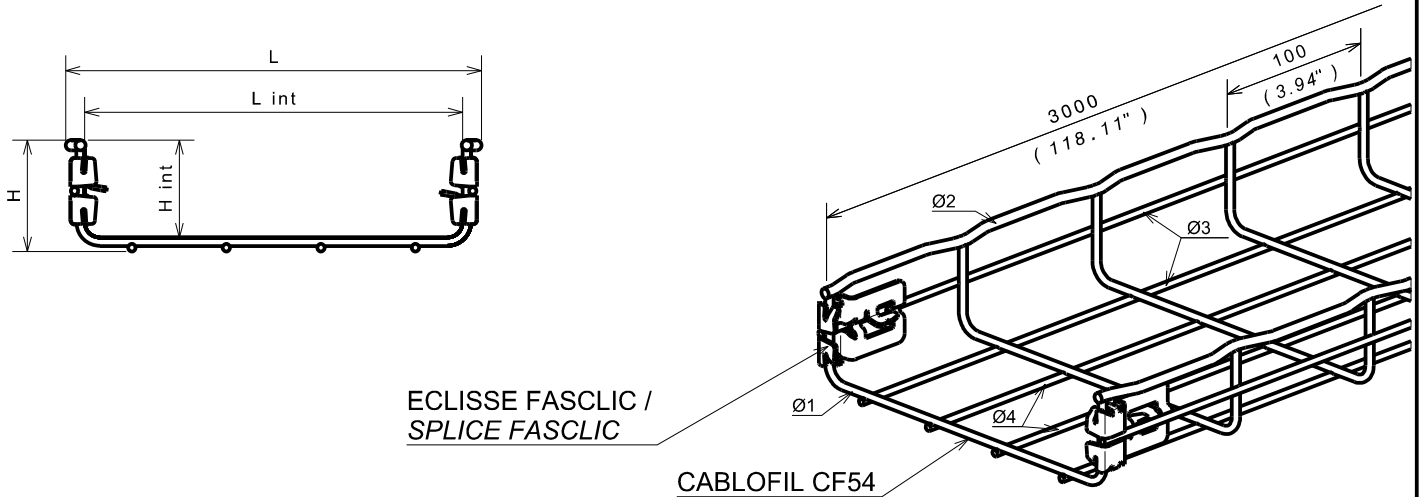
 Reference(s) : 081 060/070/080/090/100/200/250/300/400
 081 061/071/081/091/101/201/251/301/401
 081 068/078/088/098/108
 081 064/074/084/094/104

1. RANGE

| Designation | Code | Poids / Weight (Kg) (lb) | | Pièce / Part | Matière / Material | Norme / Standard | Finition / Coating | Classe de résistance contre la corrosion / Class for resistance against corrosion |
|----------------|---------|-----------------------------|--------|--------------|------------------------|---------------------|-----------------------|--|
| | | | | | | | | |
| FCF 54/50 PG | 081 060 | 1.884 | 4.154 | CF54/50 | C9D classe D / class D | EN 10244-2 | PG | Classe 2 - CEI 61537 / Class 2 - IEC 61537 |
| | | | | FASCLIC 1 | DX51D Z275 MAC | EN 10346 | GS / PG | Classe 3 - CEI 61537 / Class 3 - IEC 61537 |
| FCF 54/100 PG | 081 070 | 2.310 | 5.093 | CF54/100 | C9D classe D / class D | EN 10244-2 | PG | Classe 2 - CEI 61537 / Class 2 - IEC 61537 |
| | | | | FASCLIC 1 | DX51D Z275 MAC | EN 10346 | GS / PG | Classe 3 - CEI 61537 / Class 3 - IEC 61537 |
| FCF 54/150 PG | 081 080 | 3.099 | 6.831 | CF54/150 | C9D classe D / class D | EN 10244-2 | PG | Classe 2 - CEI 61537 / Class 2 - IEC 61537 |
| | | | | FASCLIC 2 | DX51D Z275 MAC | EN 10346 | GS / PG | Classe 3 - CEI 61537 / Class 3 - IEC 61537 |
| FCF 54/200 PG | 081 090 | 3.970 | 8.753 | CF54/200 | C9D classe D / class D | EN 10244-2 | PG | Classe 2 - CEI 61537 / Class 2 - IEC 61537 |
| | | | | FASCLIC 2 | DX51D Z275 MAC | EN 10346 | GS / PG | Classe 3 - CEI 61537 / Class 3 - IEC 61537 |
| FCF 54/300 PG | 081 100 | 6.033 | 13.301 | CF54/300 | C9D classe D / class D | EN 10244-2 | PG | Classe 2 - CEI 61537 / Class 2 - IEC 61537 |
| | | | | FASCLIC 3 | S235 JR | EN 10025 | Fe/Zn12/A | Classe 3 - CEI 61537 / Class 3 - IEC 61537 |
| FCF 54/400 PG | 081 200 | 8.386 | 18.489 | CF54/400 EA | C9D classe D / class D | EN 10244-2 | PG | Classe 2 - CEI 61537 / Class 2 - IEC 61537 |
| | | | | FASCLIC 4 | S235 JR | EN 10025 | Fe/Zn12/A | Classe 3 - CEI 61537 / Class 3 - IEC 61537 |
| FCF 54/450 PG | 081 250 | 8.719 | 19.223 | CF54/450 EA | C9D classe D / class D | EN 10244-2 | PG | Classe 2 - CEI 61537 / Class 2 - IEC 61537 |
| | | | | FASCLIC 4 | S235 JR | EN 10025 | Fe/Zn12/A | Classe 3 - CEI 61537 / Class 3 - IEC 61537 |
| FCF 54/500 PG | 081 300 | 9.614 | 21.196 | CF54/500 EA | C9D classe D / class D | EN 10244-2 | PG | Classe 2 - CEI 61537 / Class 2 - IEC 61537 |
| | | | | FASCLIC 4 | S235 JR | EN 10025 | Fe/Zn12/A | Classe 3 - CEI 61537 / Class 3 - IEC 61537 |
| FCF 54/600 PG | 081 400 | 10.280 | 22.664 | CF54/600 EA | C9D classe D / class D | EN 10244-2 | PG | Classe 2 - CEI 61537 / Class 2 - IEC 61537 |
| | | | | FASCLIC 4 | S235 JR | EN 10025 | Fe/Zn12/A | Classe 3 - CEI 61537 / Class 3 - IEC 61537 |
| FCF 54/50 EZ | 081 061 | 1.941 | 4.278 | CF54/50 | C9D | EN ISO 16120-2 | Fe/Zn12/A | Classe 3 - CEI 61537 / Class 3 - IEC 61537 |
| | | | | FASCLIC 1 | S235 JR | EN 10025 | Fe/Zn12/A | Classe 3 - CEI 61537 / Class 3 - IEC 61537 |
| FCF54/100 EZ | 081 071 | 2.380 | 5.246 | CF54/100 | C9D | EN ISO 16120-2 | Fe/Zn12/A | Classe 3 - CEI 61537 / Class 3 - IEC 61537 |
| | | | | FASCLIC 1 | S235 JR | EN 10025 | Fe/Zn12/A | Classe 3 - CEI 61537 / Class 3 - IEC 61537 |
| FCF54/150 EZ | 081 081 | 3.192 | 7.036 | CF54/150 | C9D | EN ISO 16120-2 | Fe/Zn12/A | Classe 3 - CEI 61537 / Class 3 - IEC 61537 |
| | | | | FASCLIC 2 | S235 JR | EN 10025 | Fe/Zn12/A | Classe 3 - CEI 61537 / Class 3 - IEC 61537 |
| FCF54/200 EZ | 081 091 | 4.089 | 9.015 | CF54/200 | C9D | EN ISO 16120-2 | Fe/Zn12/A | Classe 3 - CEI 61537 / Class 3 - IEC 61537 |
| | | | | FASCLIC 2 | S235 JR | EN 10025 | Fe/Zn12/A | Classe 3 - CEI 61537 / Class 3 - IEC 61537 |
| FCF54/300 EZ | 081 101 | 6.212 | 13.695 | CF54/300 | C9D | EN ISO 16120-2 | Fe/Zn12/A | Classe 3 - CEI 61537 / Class 3 - IEC 61537 |
| | | | | FASCLIC 3 | S235 JR | EN 10025 | Fe/Zn12/A | Classe 3 - CEI 61537 / Class 3 - IEC 61537 |
| FCF54/400 EZ | 081 201 | 9.214 | 20.314 | CF54/400 | C9D | EN ISO 16120-2 | Fe/Zn12/A | Classe 3 - CEI 61537 / Class 3 - IEC 61537 |
| | | | | FASCLIC 4 | S235 JR | EN 10025 | Fe/Zn12/A | Classe 3 - CEI 61537 / Class 3 - IEC 61537 |
| FCF54/450 EZ | 081 251 | 9.846 | 21.708 | CF54/450 | C9D | EN ISO 16120-2 | Fe/Zn12/A | Classe 3 - CEI 61537 / Class 3 - IEC 61537 |
| | | | | FASCLIC 4 | S235 JR | EN 10025 | Fe/Zn12/A | Classe 3 - CEI 61537 / Class 3 - IEC 61537 |
| FCF54/500 EZ | 081 301 | 10.479 | 23.102 | CF54/500 | C9D | EN ISO 16120-2 | Fe/Zn12/A | Classe 3 - CEI 61537 / Class 3 - IEC 61537 |
| | | | | FASCLIC 4 | S235 JR | EN 10025 | Fe/Zn12/A | Classe 3 - CEI 61537 / Class 3 - IEC 61537 |
| FCF54/600 EZ | 081 401 | 11.744 | 25.890 | CF54/600 | C9D | EN ISO 16120-2 | Fe/Zn12/A | Classe 3 - CEI 61537 / Class 3 - IEC 61537 |
| | | | | FASCLIC 4 | S235 JR | EN 10025 | Fe/Zn12/A | Classe 3 - CEI 61537 / Class 3 - IEC 61537 |
| FCF54/50 304L | 081 068 | 1.930 | 4.256 | CF54/50 | X2 Cr Ni 18-9 | EN 10088-3 | IN304L / SS304L | - |
| | | | | FASCLIC 1 | X2 Cr Ni Mo 17-12-2 | EN 10088-2 | IN316L / SS316L | - |
| FCF54/100 304L | 081 078 | 2.367 | 5.219 | CF54/100 | X2 Cr Ni 18-9 | EN 10088-3 | IN304L / SS304L | - |
| | | | | FASCLIC 1 | X2 Cr Ni Mo 17-12-2 | EN 10088-2 | IN316L / SS316L | - |
| FCF54/150 304L | 081 088 | 2.804 | 6.183 | CF54/150 | X2 Cr Ni 18-9 | EN 10088-3 | IN304L / SS304L | - |
| | | | | FASCLIC 1 | X2 Cr Ni Mo 17-12-2 | EN 10088-2 | IN316L / SS316L | - |
| FCF54/200 304L | 081 098 | 3.650 | 8.047 | CF54/200 | X2 Cr Ni 18-9 | EN 10088-3 | IN304L / SS304L | - |
| | | | | FASCLIC 2 | X2 Cr Ni Mo 17-12-2 | EN 10088-2 | IN316L / SS316L | - |
| FCF54/300 304L | 081 108 | 5.335 | 11.761 | CF54/300 | X2 Cr Ni 18-9 | EN 10088-3 | IN304L / SS304L | - |
| | | | | FASCLIC 2 | X2 Cr Ni Mo 17-12-2 | EN 10088-2 | IN316L / SS316L | - |
| FCF54/50 316L | 081 064 | 1.930 | 4.256 | CF54/50 | X2 Cr Ni Mo 17-12-2 | EN 10088-3 | IN316L / SS316L | - |
| | | | | FASCLIC 1 | X2 Cr Ni Mo 17-12-2 | EN 10088-2 | IN316L / SS316L | - |
| FCF54/100 316L | 081 074 | 2.367 | 5.219 | CF54/100 | X2 Cr Ni Mo 17-12-2 | EN 10088-3 | IN316L / SS316L | - |
| | | | | FASCLIC 1 | X2 Cr Ni Mo 17-12-2 | EN 10088-2 | IN316L / SS316L | - |
| FCF54/150 316L | 081 084 | 2.804 | 6.183 | CF54/150 | X2 Cr Ni Mo 17-12-2 | EN 10088-3 | IN316L / SS316L | - |
| | | | | FASCLIC 1 | X2 Cr Ni Mo 17-12-2 | EN 10088-2 | IN316L / SS316L | - |
| FCF54/200 316L | 081 094 | 3.650 | 8.047 | CF54/200 | X2 Cr Ni Mo 17-12-2 | EN 10088-3 | IN316L / SS316L | - |
| | | | | FASCLIC 2 | X2 Cr Ni Mo 17-12-2 | EN 10088-2 | IN316L / SS316L | - |
| FCF54/300 316L | 081 104 | 5.335 | 11.761 | CF54/300 | X2 Cr Ni Mo 17-12-2 | EN 10088-3 | IN316L / SS316L | - |
| | | | | FASCLIC 2 | X2 Cr Ni Mo 17-12-2 | EN 10088-2 | IN316L / SS316L | - |

FCF 54

 Reference(s) : 081 060/070/080/090/100/200/250/300/400
 081 061/071/081/091/101/201/251/301/401
 081 068/078/088/098/108
 081 064/074/084/094/104

2. DIMENSIONS (mm/inch)


| Designation | Ø1 | | Ø2 | | Ø3 | | Ø4 | | L int | | L | | H int | | H | |
|----------------------|------|--------|------|--------|------|--------|------|--------|-------|--------|-------|--------|-------|--------|------|--------|
| | (mm) | (inch) | (mm) | (inch) | (mm) | (inch) | (mm) | (inch) | (mm) | (inch) | (mm) | (inch) | (mm) | (inch) | (mm) | (inch) |
| FCF 54/50 PG/EZ | 3.9 | 0.15 | 3.9 | 0.15 | 3.9 | 0.15 | - | - | 50.0 | 1.97 | 65.6 | 2.58 | 51.7 | 2.04 | 58.5 | 2.30 |
| FCF 54/100 PG/EZ | 3.9 | 0.15 | 3.9 | 0.15 | 3.9 | 0.15 | - | - | 100.0 | 3.94 | 115.6 | 4.55 | 51.7 | 2.04 | 58.5 | 2.30 |
| FCF 54/150 PG/EZ | 4.4 | 0.17 | 4.4 | 0.17 | 3.9 | 0.15 | 3.9 | 0.15 | 150.0 | 5.91 | 167.6 | 6.60 | 51.6 | 2.03 | 58.9 | 2.32 |
| FCF 54/200 PG/EZ | 4.4 | 0.17 | 5.5 | 0.22 | 3.9 | 0.15 | 3.9 | 0.15 | 200.0 | 7.87 | 220.9 | 8.70 | 51.6 | 2.03 | 58.9 | 2.32 |
| FCF 54/300 PG/EZ | 4.4 | 0.17 | 5.5 | 0.22 | 5.5 | 0.22 | 3.9 | 0.15 | 300.0 | 11.81 | 320.9 | 12.63 | 51.6 | 2.03 | 60.6 | 2.39 |
| FCF 54/400 PG/EZ | 5.9 | 0.23 | 5.9 | 0.23 | 5.9 | 0.23 | 3.9 | 0.15 | 400.0 | 15.75 | 423.6 | 16.68 | 51.1 | 2.01 | 62.0 | 2.44 |
| FCF 54/450 PG/EZ | 5.9 | 0.23 | 5.9 | 0.23 | 5.9 | 0.23 | 3.9 | 0.15 | 450.0 | 17.72 | 473.6 | 18.65 | 51.1 | 2.01 | 62.0 | 2.44 |
| FCF 54/500 PG/EZ | 5.9 | 0.23 | 5.9 | 0.23 | 5.9 | 0.23 | 3.9 | 0.15 | 500.0 | 19.69 | 523.6 | 20.61 | 51.1 | 2.01 | 62.0 | 2.44 |
| FCF 54/600 PG/EZ | 5.9 | 0.23 | 5.9 | 0.23 | 5.9 | 0.23 | 3.9 | 0.15 | 600.0 | 23.62 | 623.6 | 24.55 | 51.1 | 2.01 | 62.0 | 2.44 |
| FCF 54/50 304L/316L | 3.9 | 0.15 | 3.9 | 0.15 | 3.9 | 0.15 | - | - | 50.0 | 1.97 | 65.6 | 2.58 | 51.7 | 2.04 | 58.7 | 2.31 |
| FCF 54/100 304L/316L | 3.9 | 0.15 | 3.9 | 0.15 | 3.9 | 0.15 | - | - | 100.0 | 3.94 | 115.6 | 4.55 | 51.7 | 2.04 | 58.7 | 2.31 |
| FCF 54/150 304L/316L | 3.9 | 0.15 | 3.9 | 0.15 | 3.9 | 0.15 | 3.9 | 0.15 | 150.0 | 5.91 | 165.6 | 6.52 | 51.7 | 2.04 | 58.7 | 2.31 |
| FCF 54/200 304L/316L | 4.4 | 0.17 | 4.4 | 0.17 | 3.9 | 0.15 | 3.9 | 0.15 | 200.0 | 7.87 | 217.6 | 8.57 | 51.6 | 2.03 | 58.9 | 2.32 |
| FCF 54/300 304L/316L | 4.4 | 0.17 | 5.5 | 0.22 | 4.4 | 0.17 | 3.9 | 0.15 | 300.0 | 11.81 | 320.9 | 12.63 | 51.6 | 2.03 | 58.9 | 2.32 |

3. INSTALLATION
