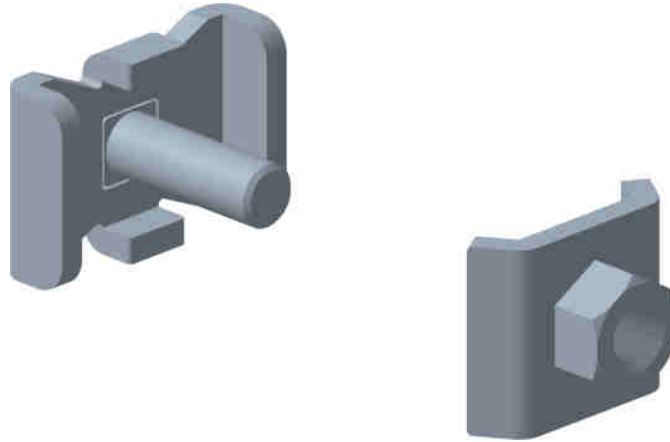


KIT ASSVS

Reference(s) : 558 071/077 - 350 427


1. GAMME / RANGE

Designation	Code	Poids / Weight (Kg) (lb)		Composant	Composant	Matière / Material	Classe / Class	Norme / Standard	Finition / Coating	Classe de résistance contre la corrosion/ Resistance class against corrosion		
KITASSVS GS	558 071	0.029	0.064	CE25ES GS	CE25ES GS	DX51D Z275	-	EN 10 346	GS	Class 3 / IEC 61537		
					HM6 EZ	-	8	ISO 898-2				
				CE30VS GS	CE30VS GS	DX51D Z275	-	EN 10 346				
					TRCC 6x20 EZ	-	4.8	ISO 898-1				
KITASSVS ZnL	558 077			0.029	0.064	CE25ES ZnL	CE25ES ZnL	S 235 JR	-	EN 10 025	ZnL	Class 6 / IEC 61537
							HM6 ZnL	-	8	ISO 898-2		
						CE30VS ZnL	CE30VS ZnL	S 235 JR	-	EN 10 025		
							TRCC 6x20 ZnL	-	4.8	ISO 898-1		
KITASSVS ZnMg	350 427	0.029	0.064			CE25ES ZnMg	CE25 ZnMg	S220GD ZM	-	EN 10 346	ZnMg	Class 8 / IEC 61537
							HM6 ZnNi	-	8	ISO 898-2		
						CE30VS ZnMg	CE30VS ZnMg	S220GD ZM	-	EN 10 346		
							TRCC 6x20 ZnNi	-	4.8	ISO 898-1		

2. DIMENSIONS (mm/inch)
