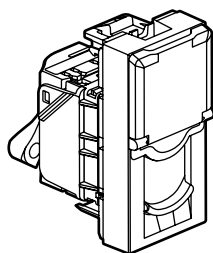
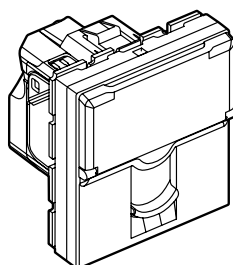


**Mosaic™**  
**LCS2 Cat. 6A UTP RJ 45 socket**

Cat. No(s) : 0 765 09/26/27/71/74/90  
0 794 71/74



0 765 71



0 765 74

**CONTENTS**

Page

1. General characteristics	1
2. Presentation	1
3. Installation	1
4. Technical characteristics	2
5. Connection	2
6. Overall dimensions	2
7. Usual connection of RJ 45 sockets	2
8. Standards and approvals	3
9. Performance	3-6

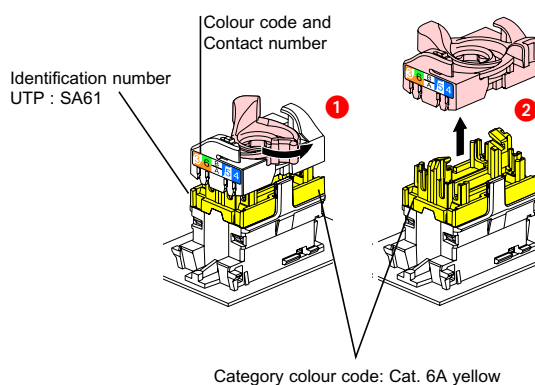
**1. GENERAL CHARACTERISTICS**

Cat. 6A RJ 45 terminal socket for high speed connection to a network.  
Enables data transmission at 10 Gbit/s.  
Socket is used with Cat. 6A U/UTP cables.

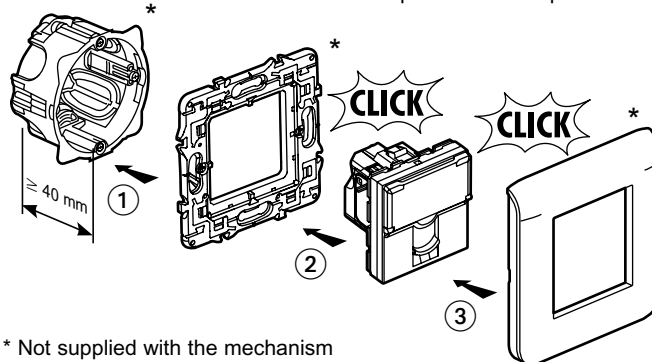
**2. PRESENTATION**

	Designation	Nbr. of modules	UTP
	Cat. 6A UTP RJ 45 socket	1	0 765 71
	Cat. 6A STP RJ 45 socket - aluminium	1	0 794 71
	Cat. 6A UTP RJ 45 socket green shutter	1	0 765 26
	Cat. 6A UTP RJ 45 socket orange shutter	1	0 765 27
	Cat. 6A UTP RJ 45 socket	2	0 765 74
	Cat. 6A UTP RJ 45 socket - aluminium	2	0 794 74
	RJ 45 safety socket Cat. 6A UTP	2	0 765 90
	RJ 45 socket 45° Cat. 6A UTP	2	0 765 09

**3. INSTALLATION**



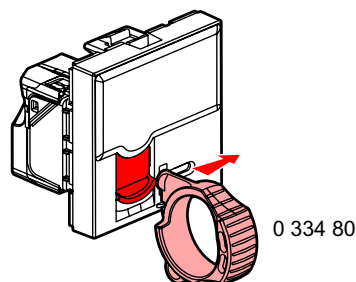
The mechanisms can be surface mounted or flush mounted.  
They can also be mounted in Mosaic Programme trunkings, columns, floor boxes and office modules (min. depth 40 mm).  
Rail mounting is possible using adaptor Cat. No. 0 802 99 (2 modules).  
The mechanisms can be mounted on thin panels with adaptors:



\* Not supplied with the mechanism

Cat. No. 0 802 90 (1 module), Cat. No. 0 802 91 (2 modules),  
Cat. No. 0 802 92 (2 x 1 vertical module).

Unlocking



# Mosaic™ LCS2 Cat. 6A UTP RJ 45 socket

Cat. No(s) : 0 765 09/26/27/71/74/90  
0 794 71/74

## 4. TECHNICAL CHARACTERISTICS

### 4.1 Material characteristics

Contacts: gold/nickel, minimum thickness of gold > 0.8 µm  
Metal parts: bronze, nickel, platinum, gold  
PBT polycarbonate

### 4.2 Electrical characteristics

Breakdown voltage ≥ 1000 V  
Contact resistance ≤ 20 mΩ  
Insulation resistance ≥ 500 MΩ at 100 V DC  
Connector tested and guaranteed under PoE restrictions, IEEE 802.3af standard and PoE+, draft standard 802.3at, up to 2500 on-load connections / disconnections.

Tests are carried out with 2 simultaneous PoE+ circuits for a minimum total power of 50 W.

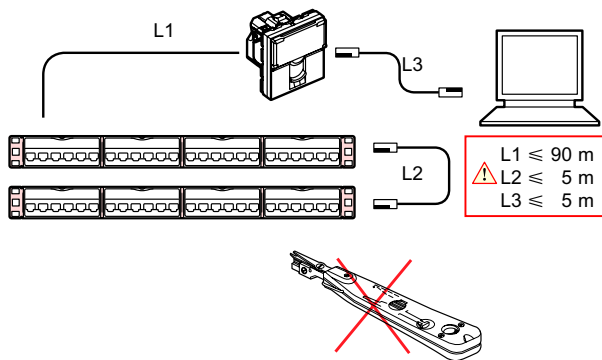
### 4.3 Mechanical characteristics

Max. number of connections and disconnections: 5 without refreshing the wiring.  
Endurance: 2500 movements (plug insertion/withdrawal)  
IK03

### 4.4 Climatic characteristics

Operating temperature: - 40° C to + 70° C  
Humid heat cycle 21 days

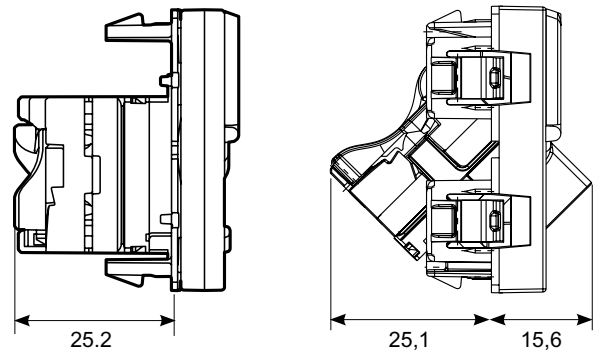
## 5. CONNECTION



## 6. OVERALL DIMENSIONS (cont.)

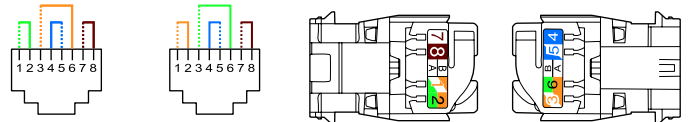
Side view:

0 765 09/26/27/71/74 - 0 794 71/74



## 7. USUAL CONNECTION OF RJ 45

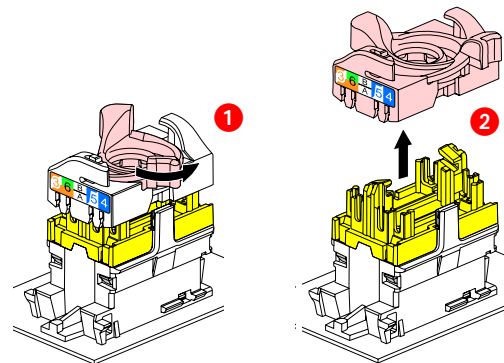
Accepts the following cable connectors :  
RJ11 (4 contacts), RJ12 (6 contacts), RJ45 (9 contacts).  
Double colour code EIA – TIA 568 A and B on terminals:



Conductors supported:

- Single-wire: AWG 22 to 26
- Multiple-wire: AWG 26
- Polyethylene conductor insulation: max Ø with insulation 1.58 mm.

RJ 45 connectors are equipped with a locking nut that does not require the use of a specific tool and which enables re-cabling in the event of error.

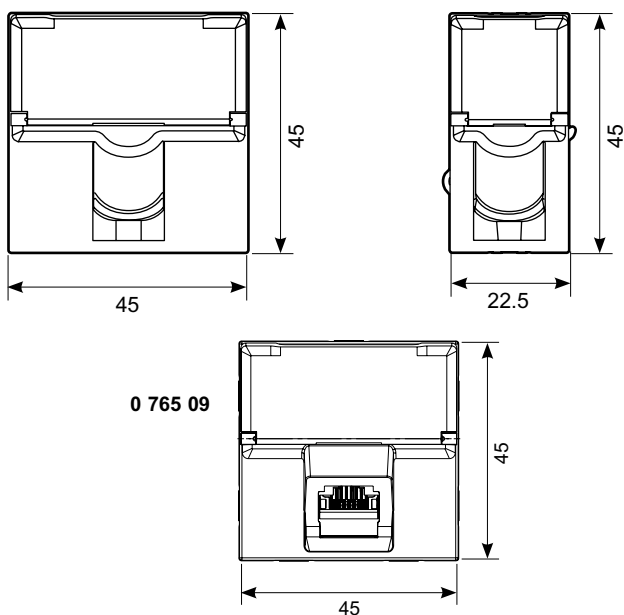


## 6. OVERALL DIMENSIONS

Front view:

0 765 09/74/90 - 0 794 74

0 765 26/27/71 - 0 794 71

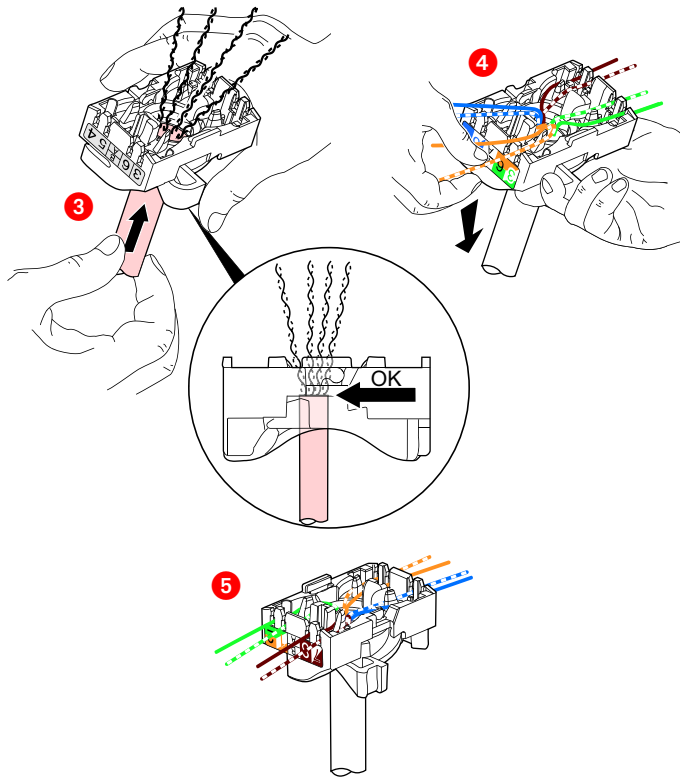


**Mosaic™**  
**LCS2 Cat. 6A UTP RJ 45 socket**

Cat. No(s) : 0 765 09/26/27/71/74/90  
 0 794 71/74

**7. USUAL CONNECTION OF RJ 45S (cont.)**

This system allows the wire pairs to be spread easily before mounting them on the connector.  
 Spreading cables ensures that each pair is separated by the specified 13 mm.  
 Spreading pairs by 90° in relation to the cable ensures optimum performance.

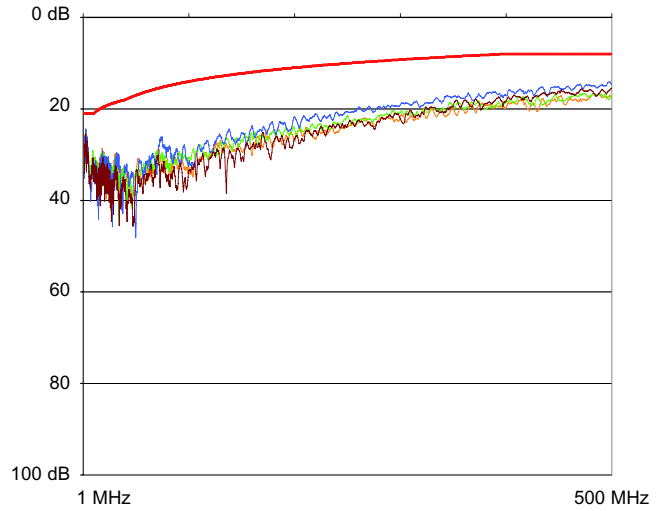


**8. STANDARDS AND APPROVALS**

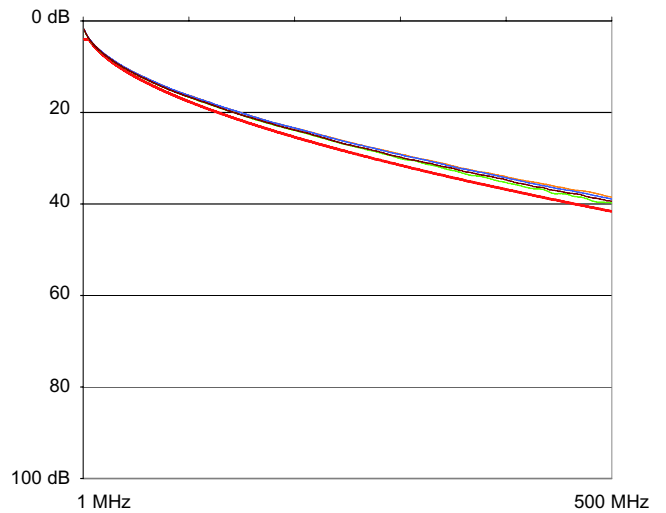
Compliant with standards: ISO 11801 Second edition  
 EN 50173 Second edition  
 EIA/TIA-568-B.2  
 NF C 20730  
 Standard 8877 - 603.7

**9. PERFORMANCE**

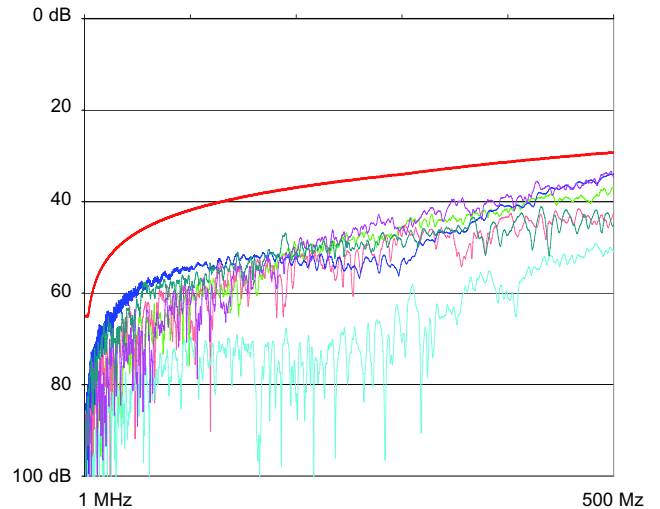
**9.1 Performance of permanent link with cat. 6A U/UTP cable**  
 Return loss



**Attenuation**

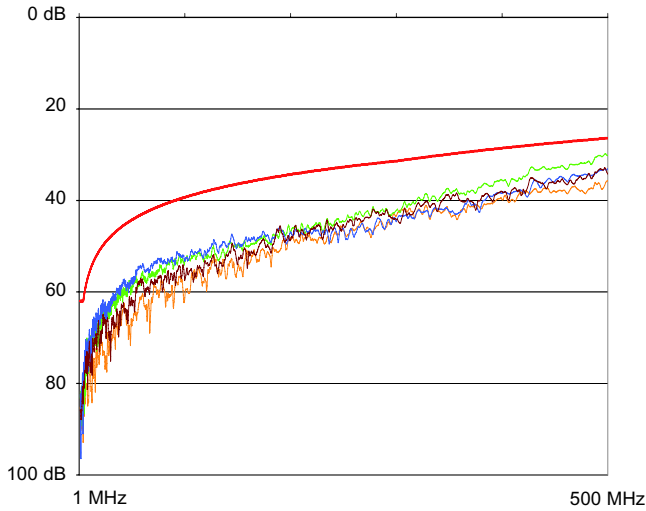


**NEXT (Near end Crosstalk Attenuation)**

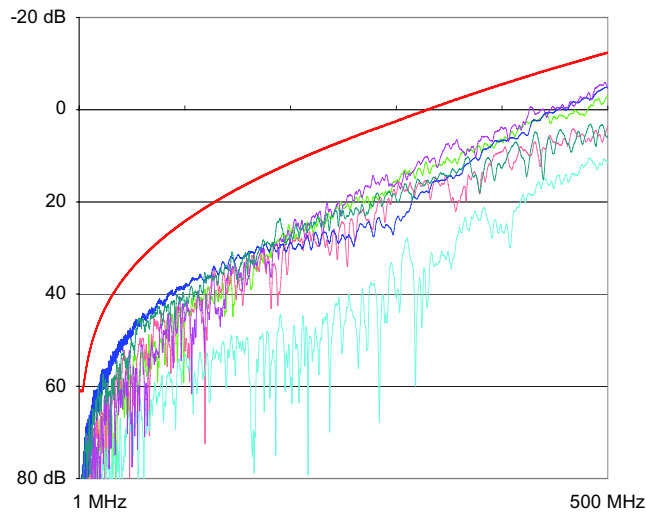


**9. PERFORMANCE (cont.)**

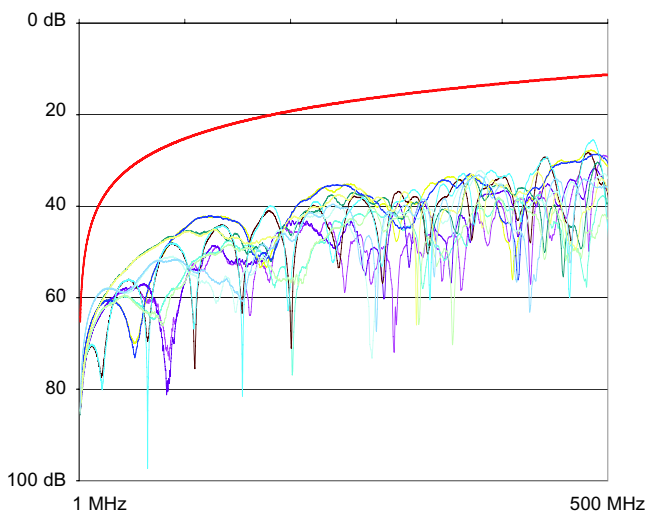
**9.1 Performance of permanent link with cat. 6A U/UTP cable (cont.)**  
 PS NEXT (Power Sum NEXT)



**ACR-N (Attenuation to Crosstalk Ratio Near End)**

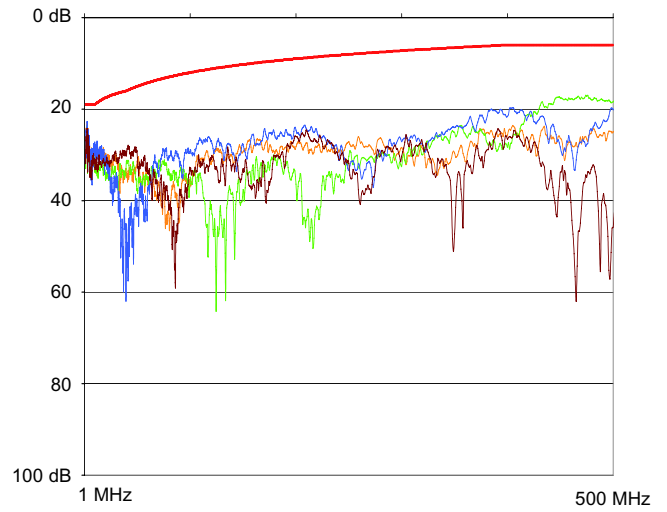


**ACR-F (Equal Level End Crosstalk Attenuation Far End) - (ELFEXT)**

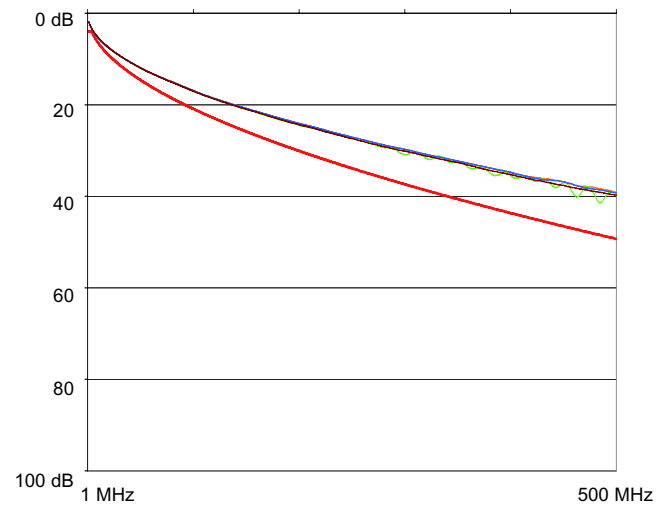


**9.2 Performances canal (Channel)**

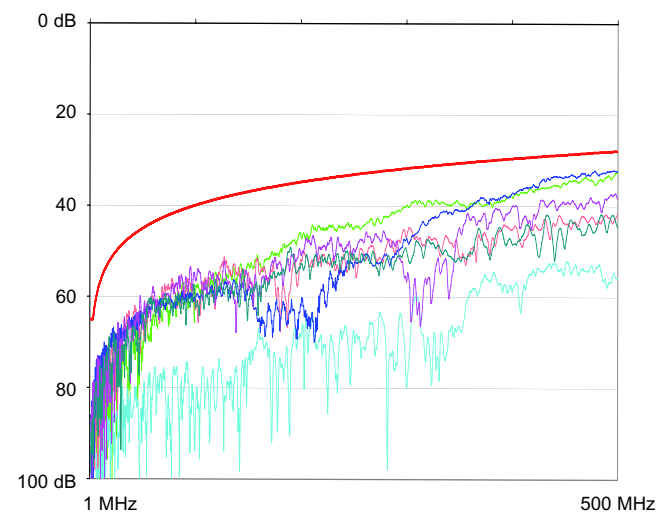
**Return loss**



**Attenuation**



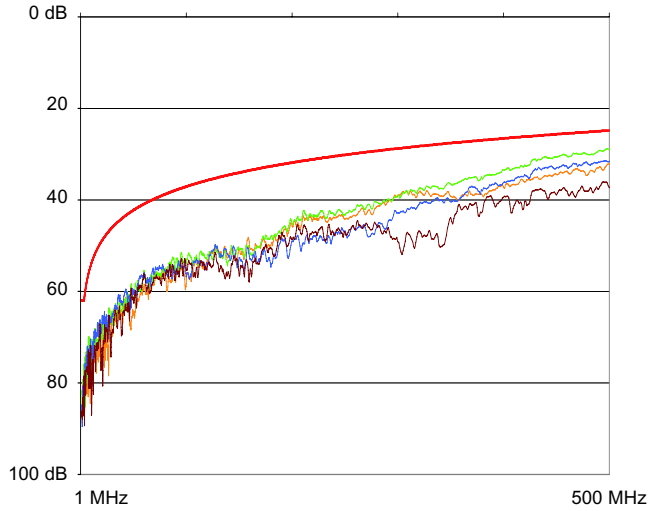
**NEXT (Near end Crosstalk Attenuation)**



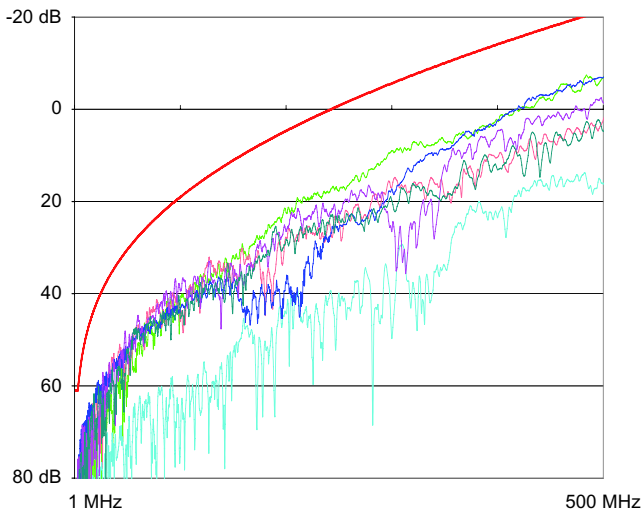
9. PERFORMANCE (cont.)

9.2 Performances canal (Channel) (cont.)

PS NEXT (Power Sum NEXT)



ACR-N (Attenuation to Crosstalk Ratio)



ACR-F (Equal Level End Crosstalk Attenuation)

