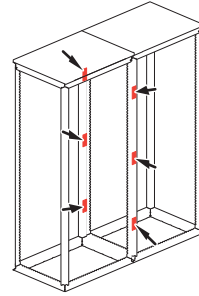
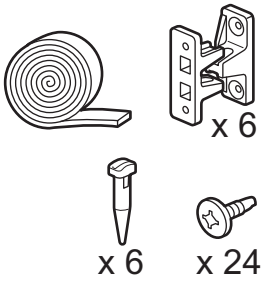
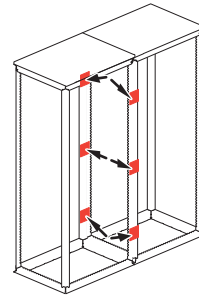
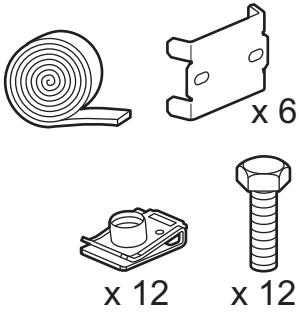


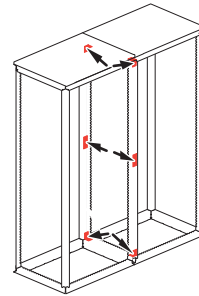
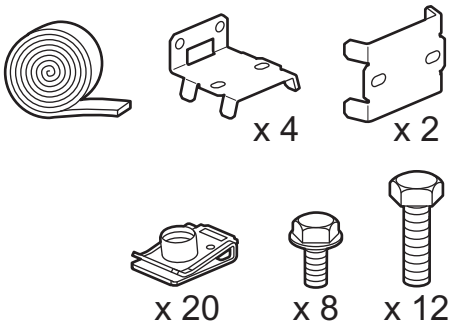
476 81

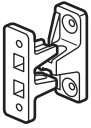


476 82

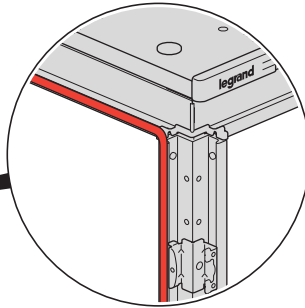
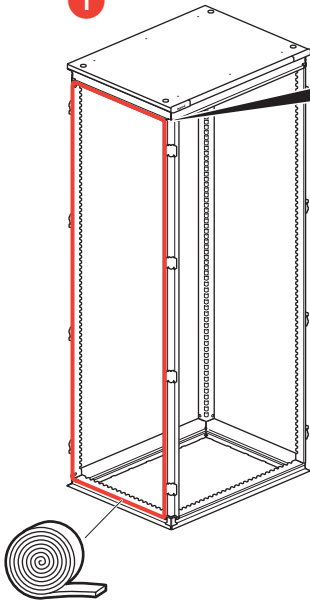


476 83

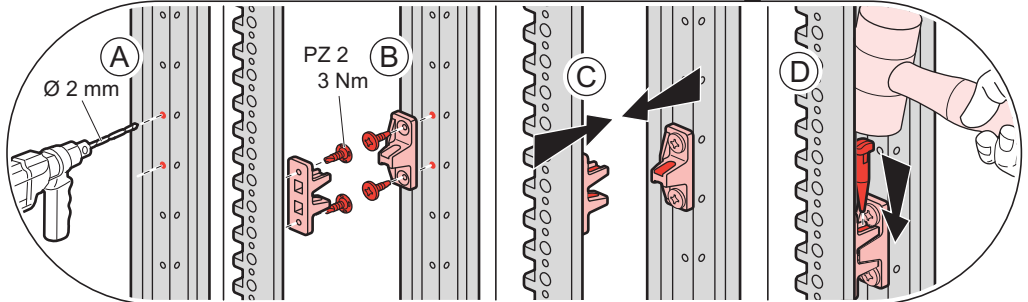
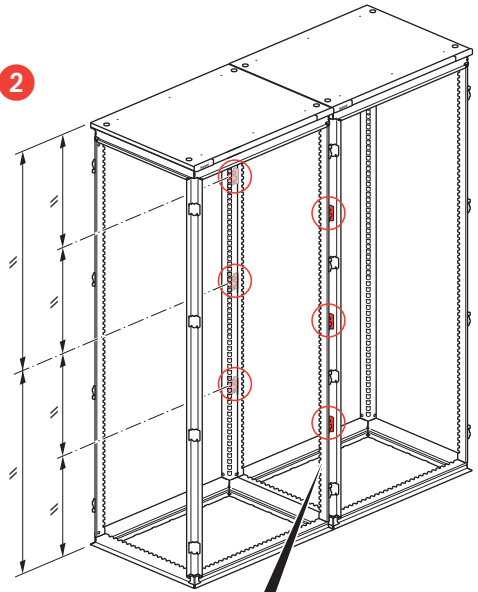


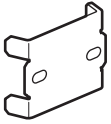


1

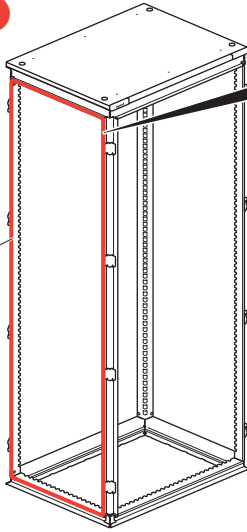


2

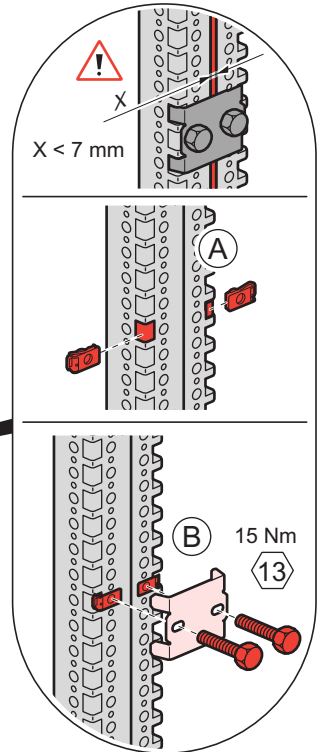
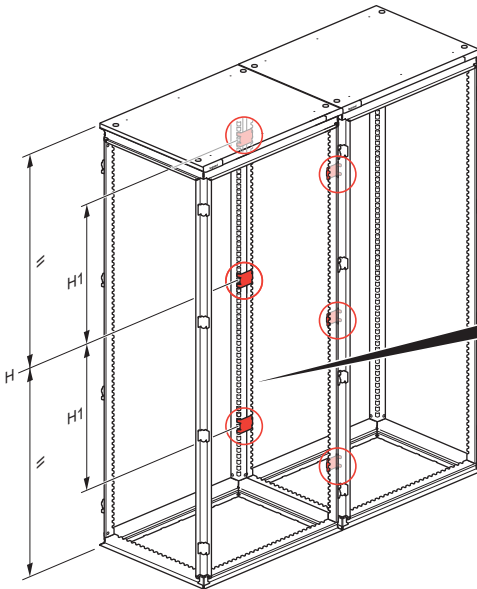




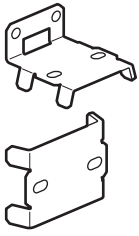
1



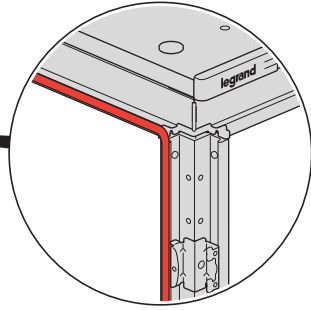
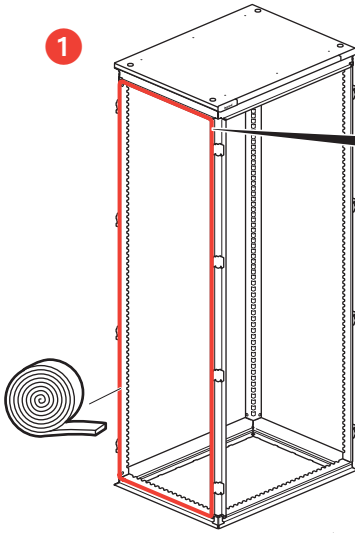
2



H (mm)	H1 (mm)
1200	250
1400	350
1600	450
1800	550
2000	650
2200	750



1



2

