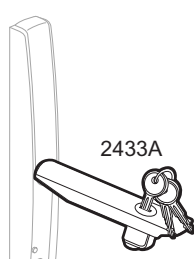
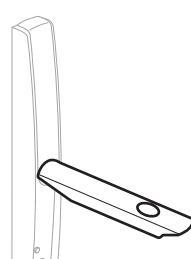


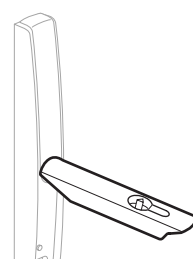
0 347 74



0 347 72



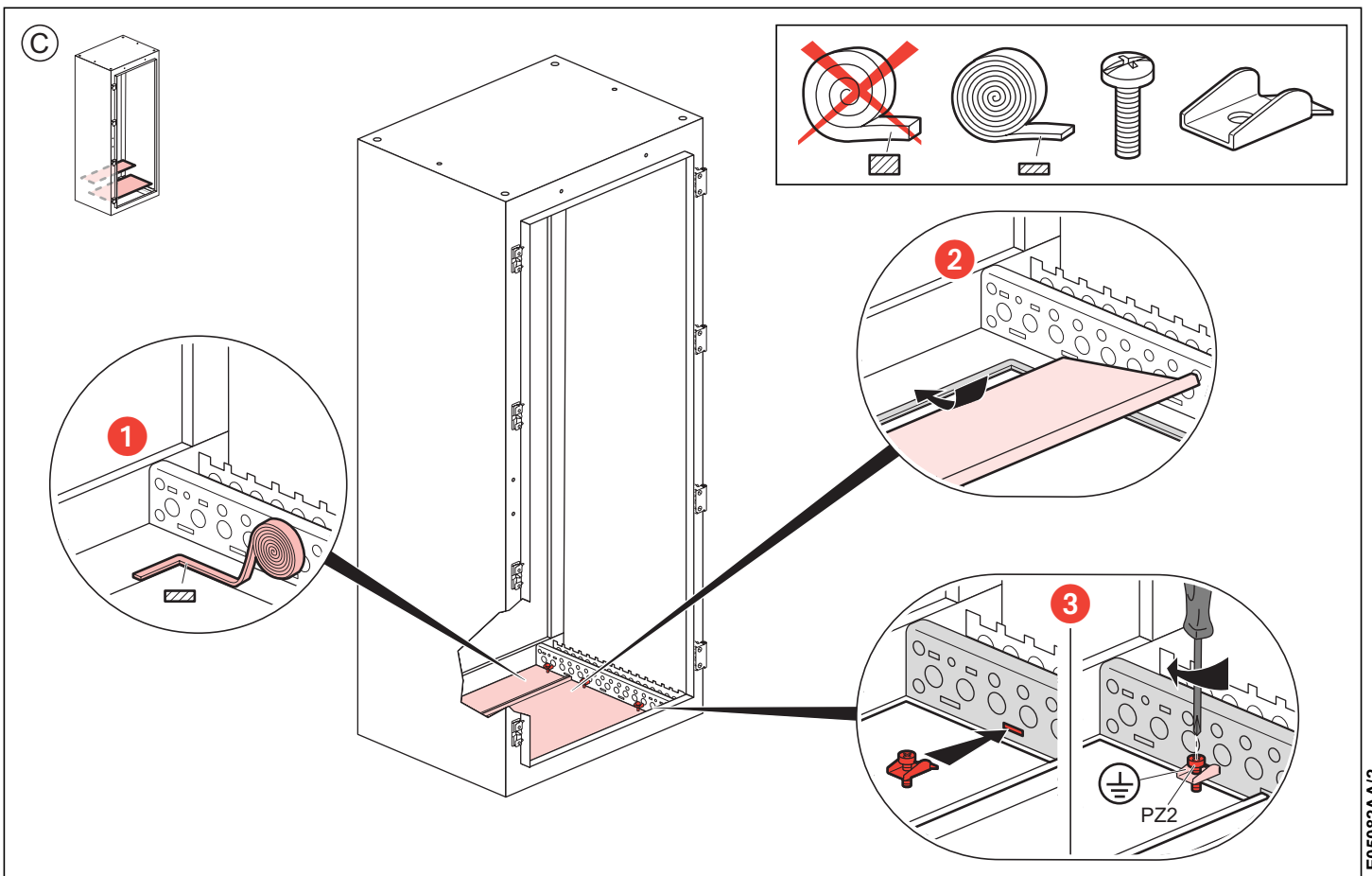
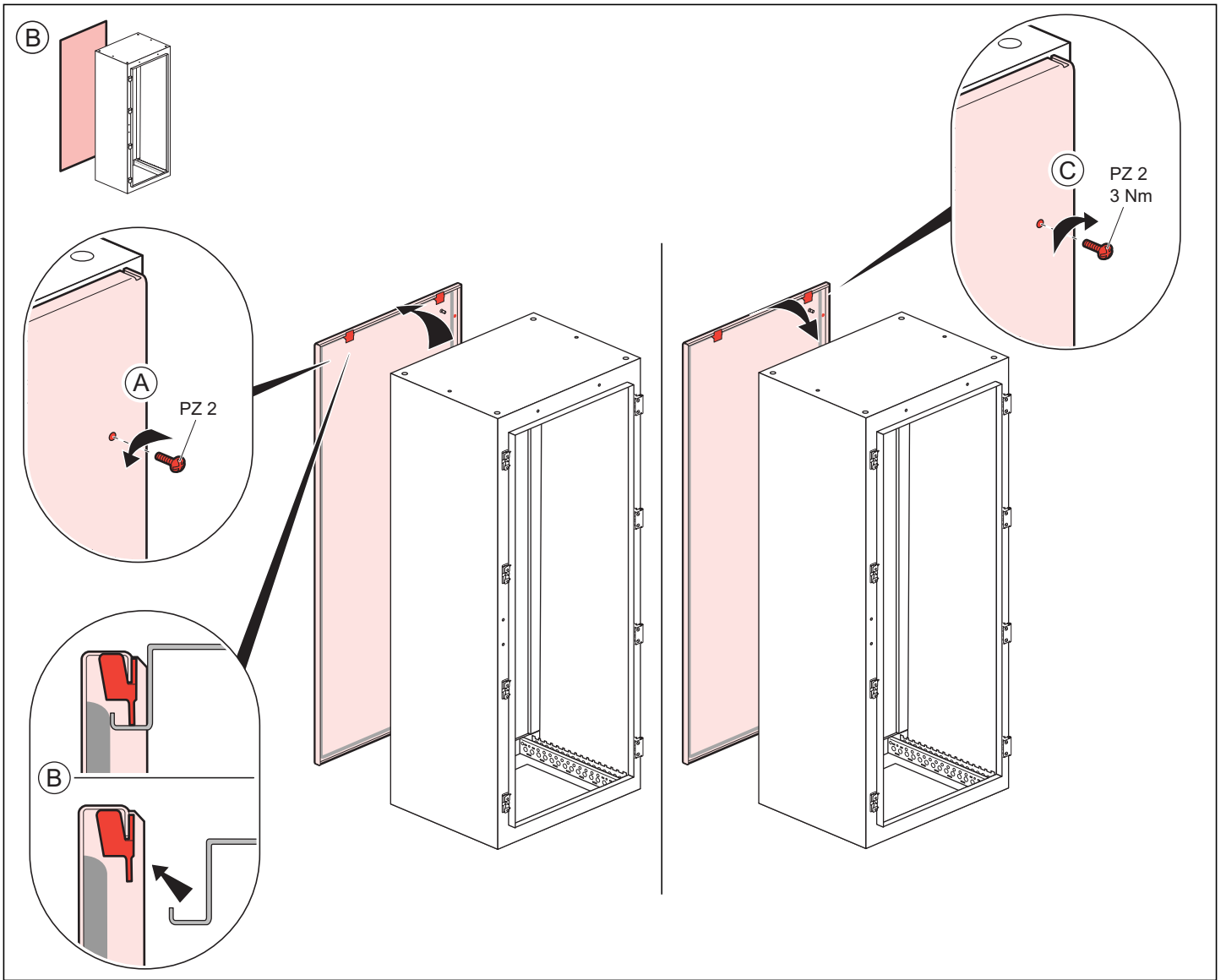
0 347 71



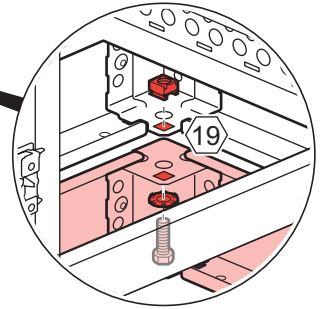
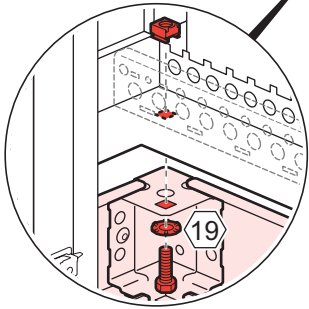
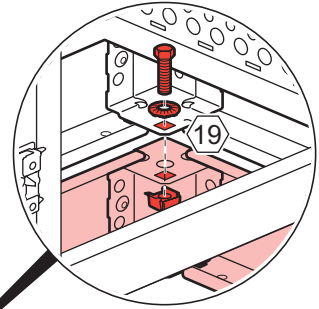
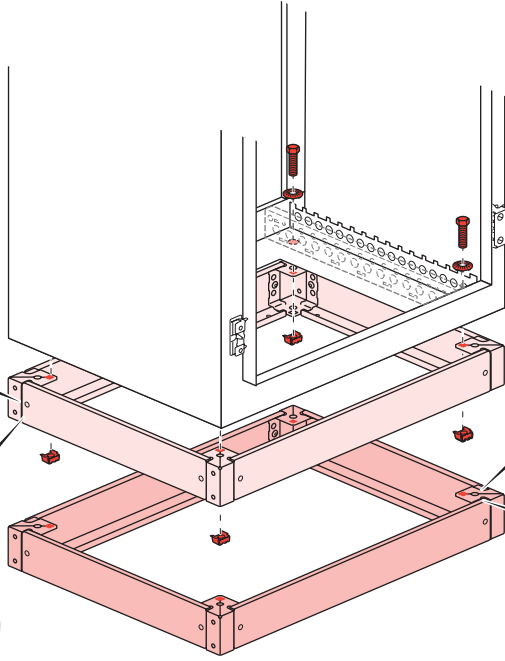
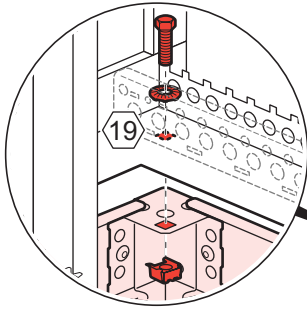
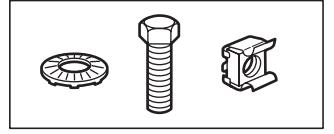
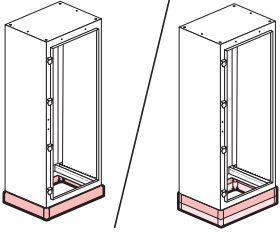
0 347 73



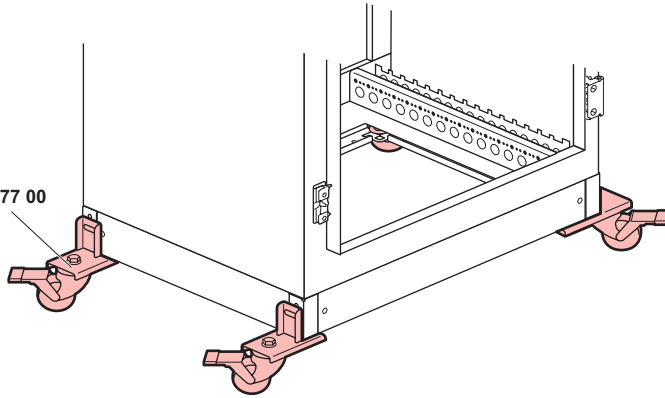
0 347 75



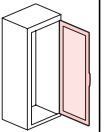
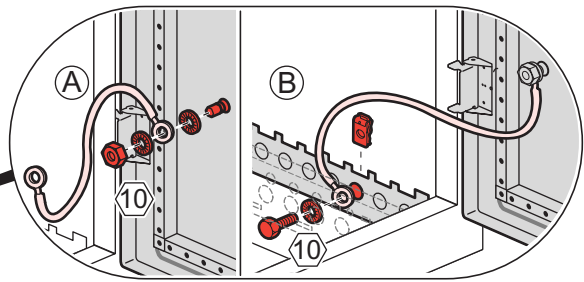
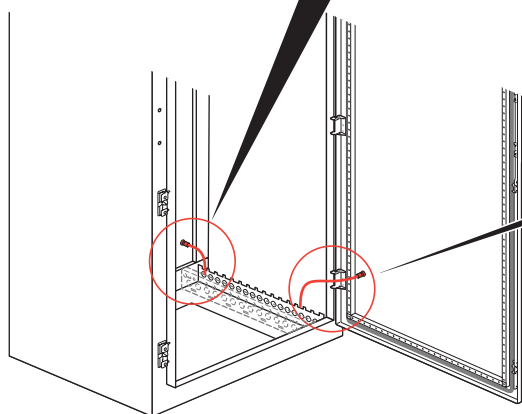
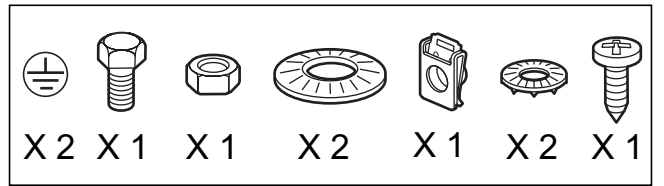
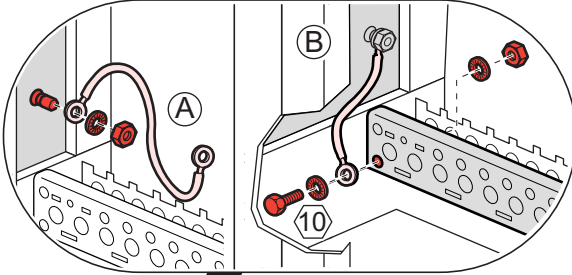
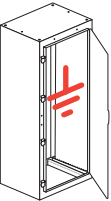
D

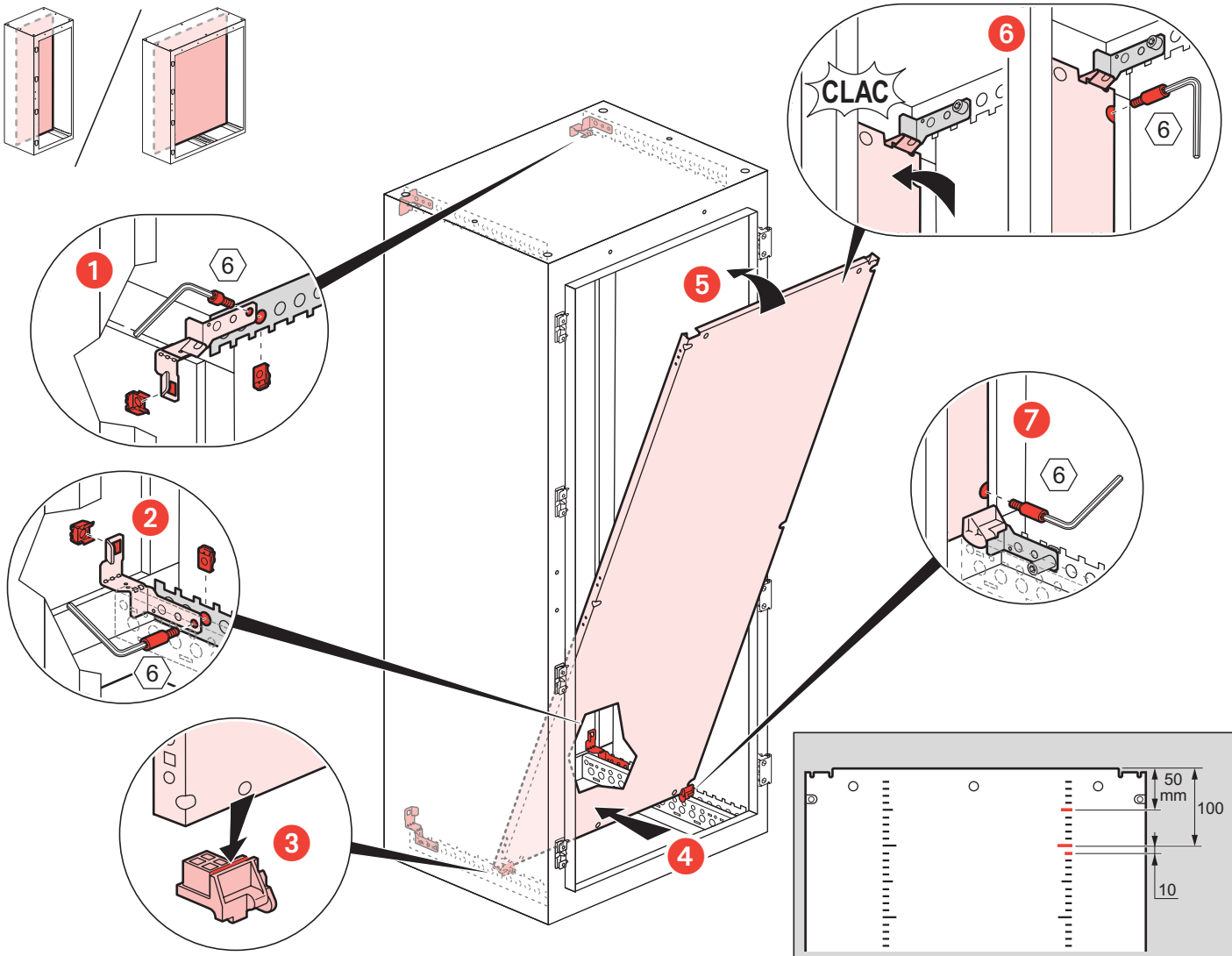
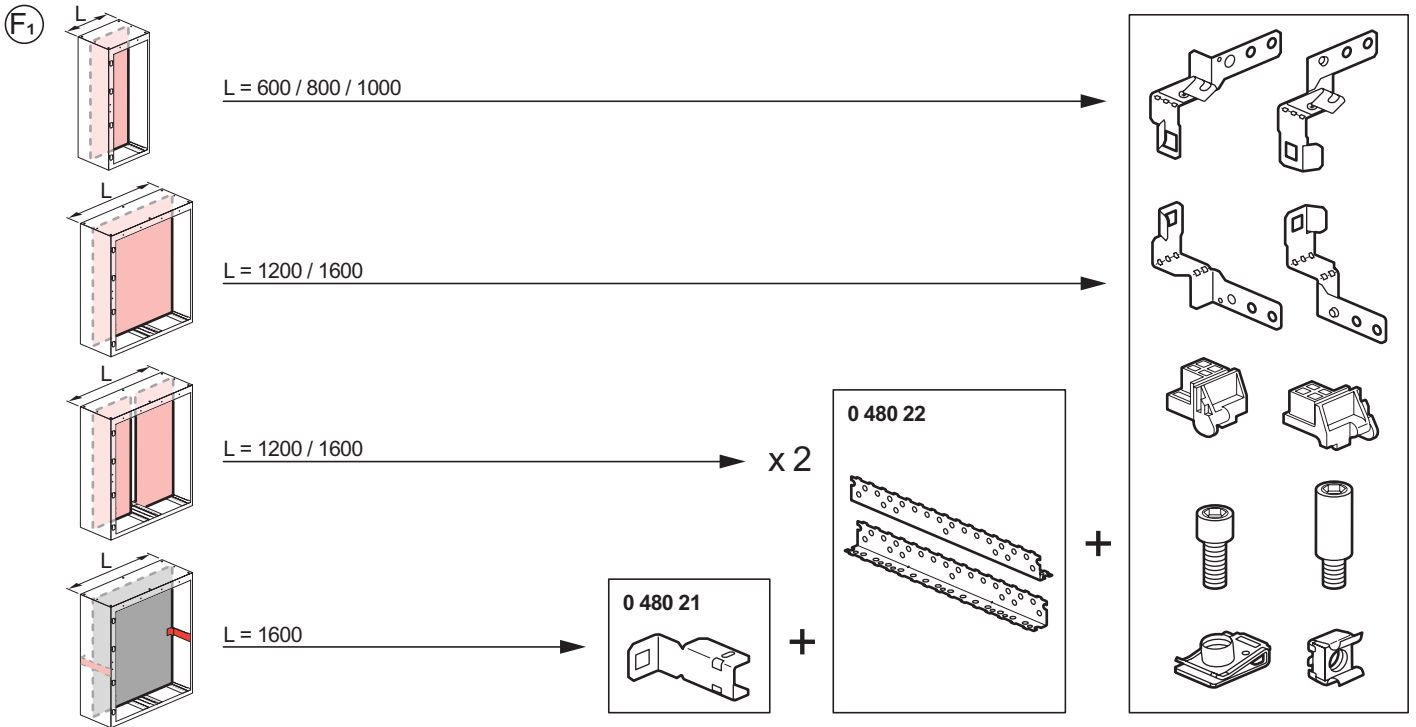
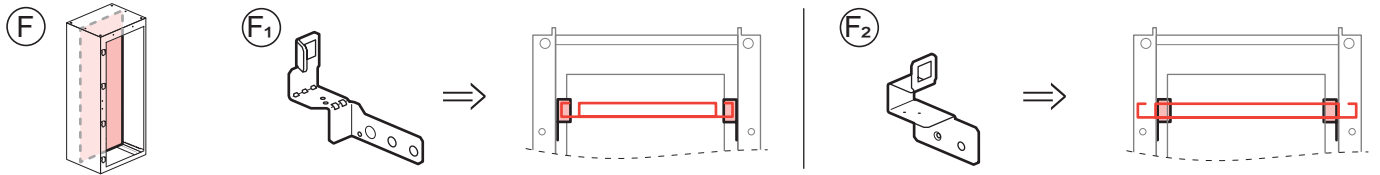


0 477 00

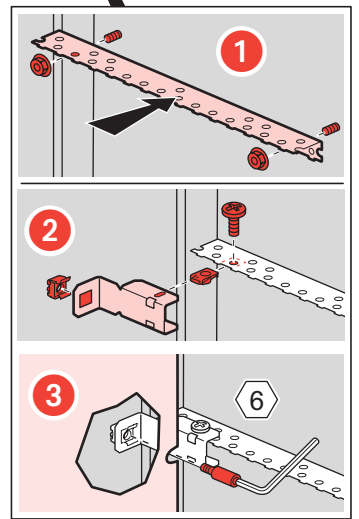
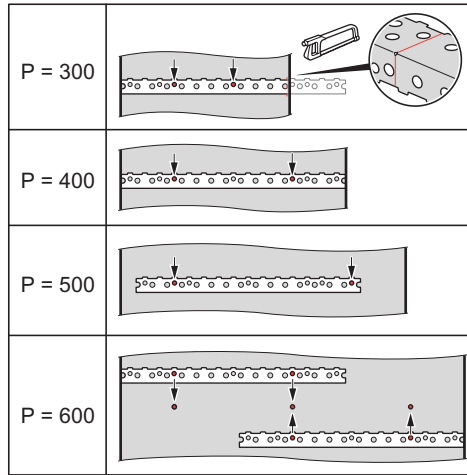
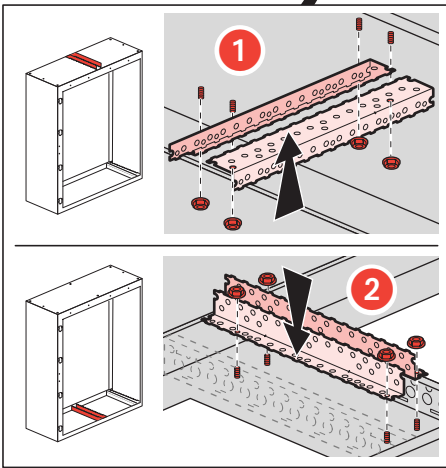
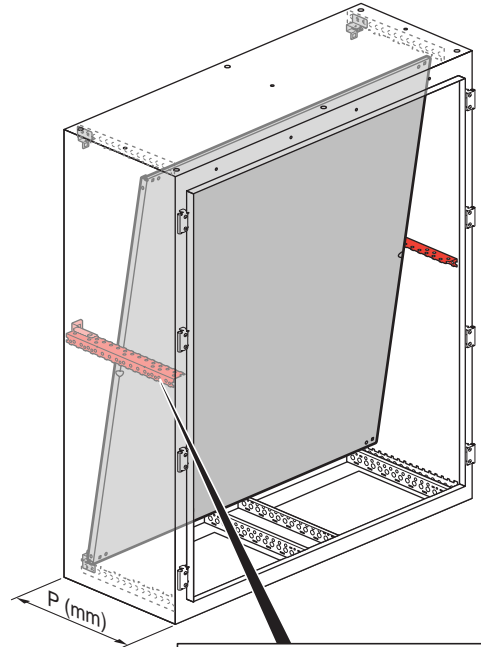
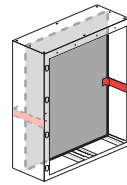
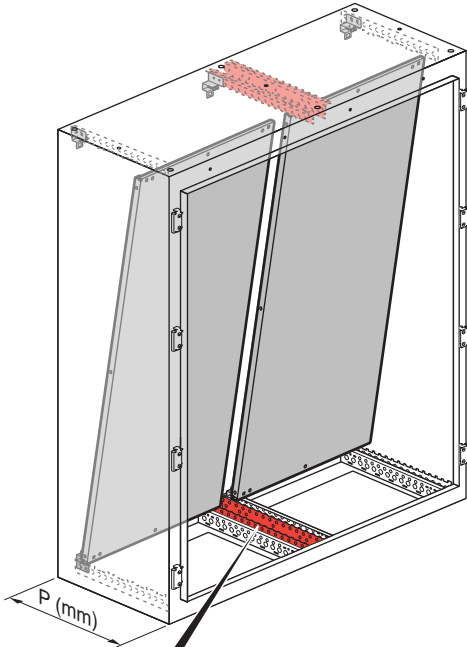
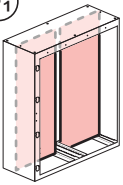


E

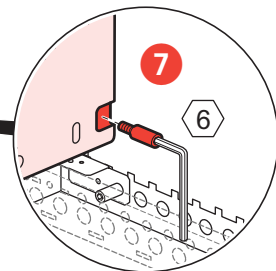
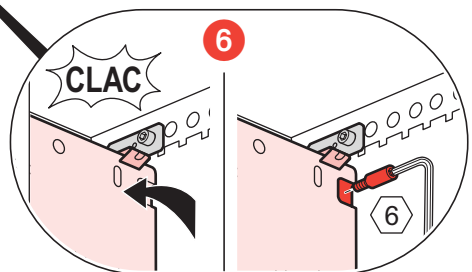
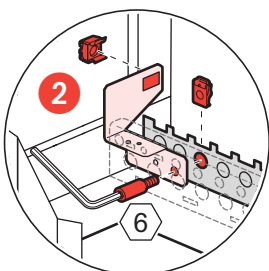
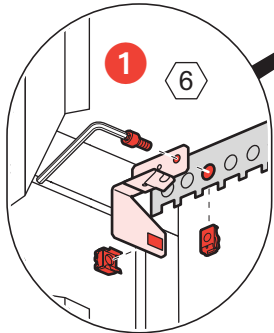
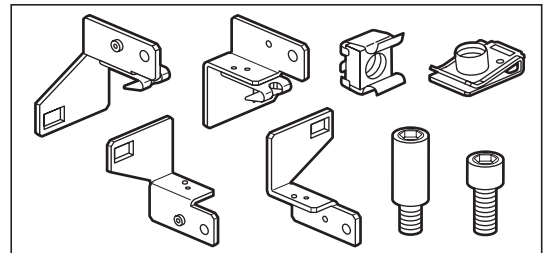
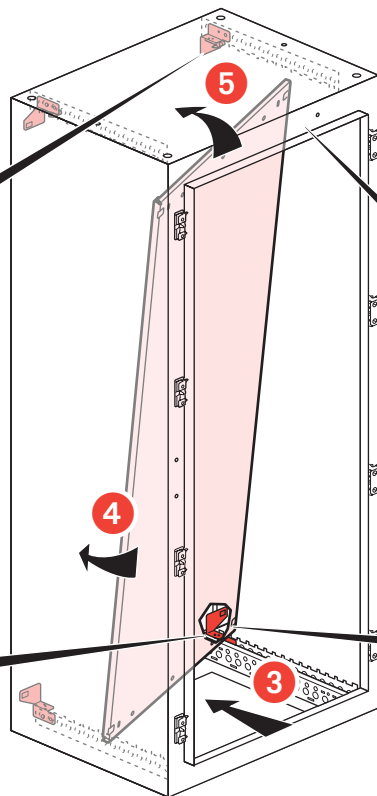
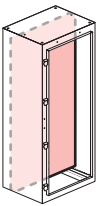




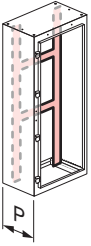
F₁



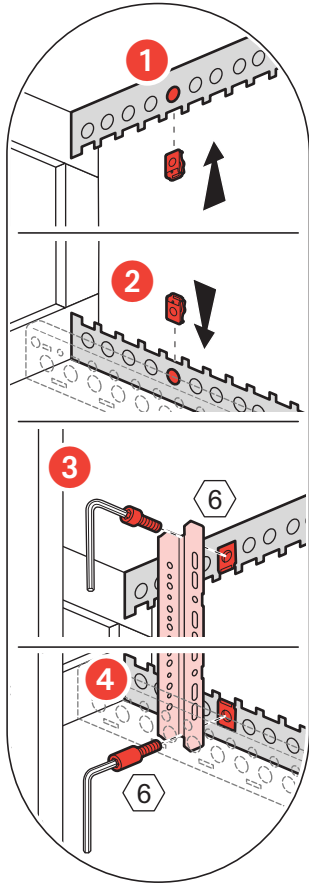
F₂



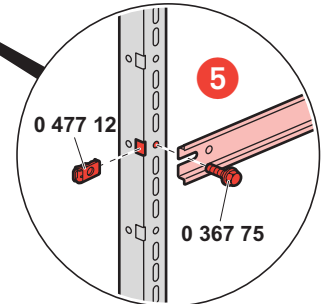
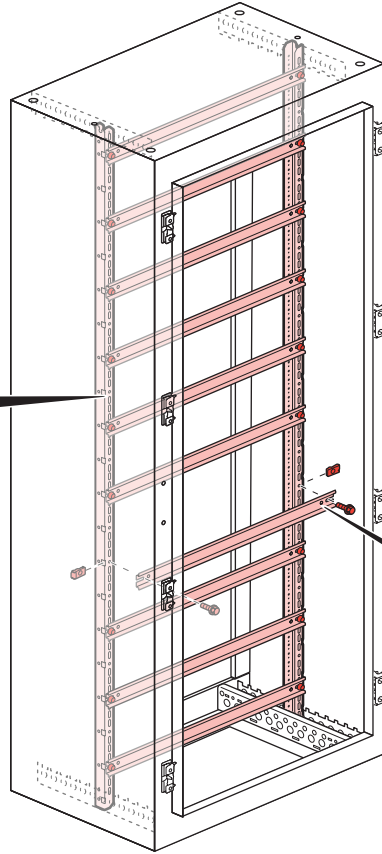
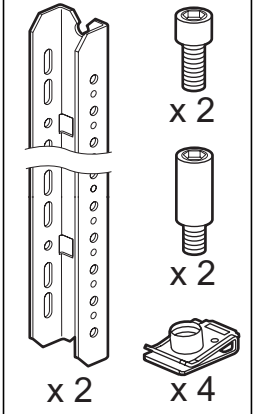
G



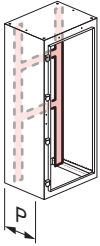
P = 300



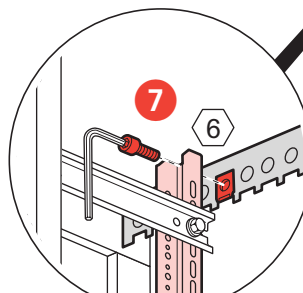
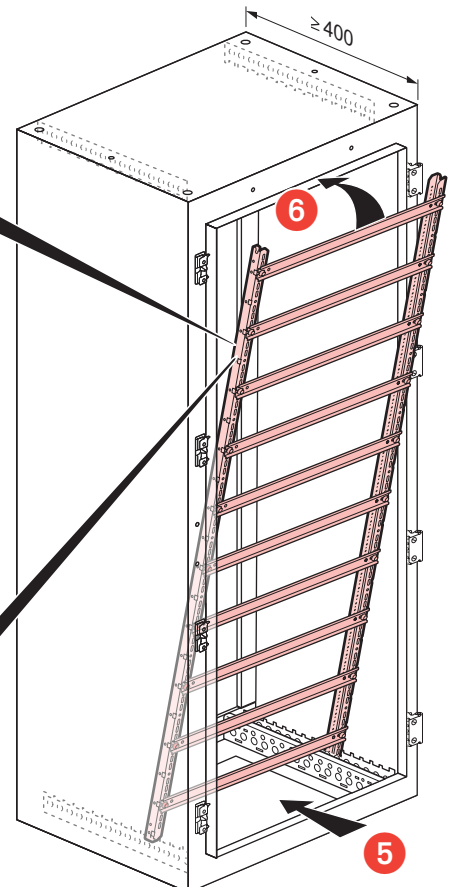
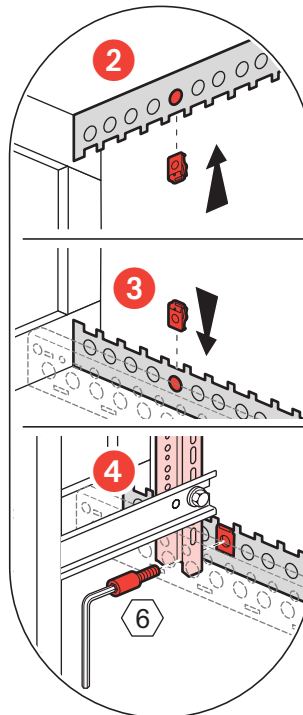
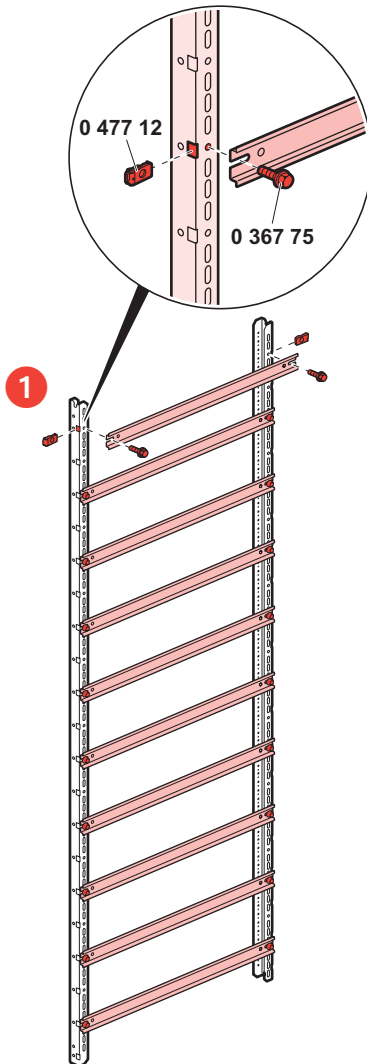
0 475 50/51/52/53/54/55

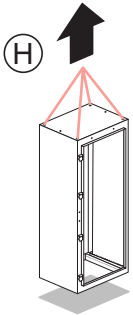


G

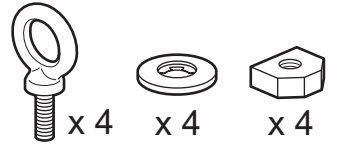


P ≥ 400

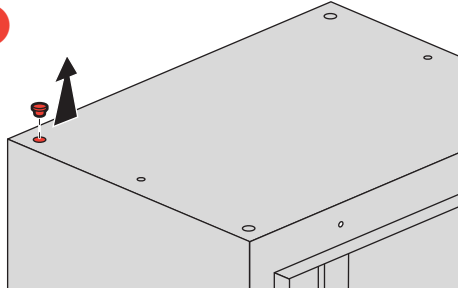




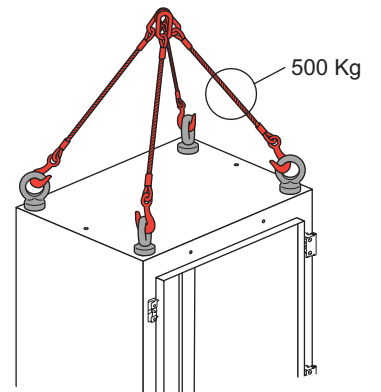
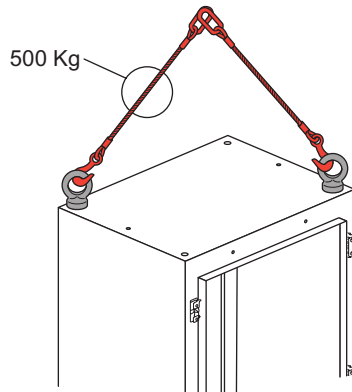
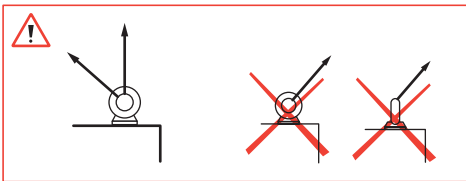
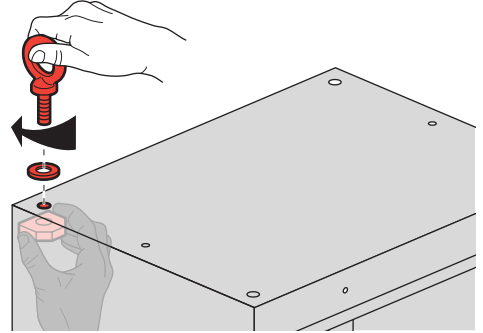
0 476 96



1



2



	P (Kg)	α (°)	P (Kg)	
	-	120	750	
	490	90	800	
	610	60	800	

