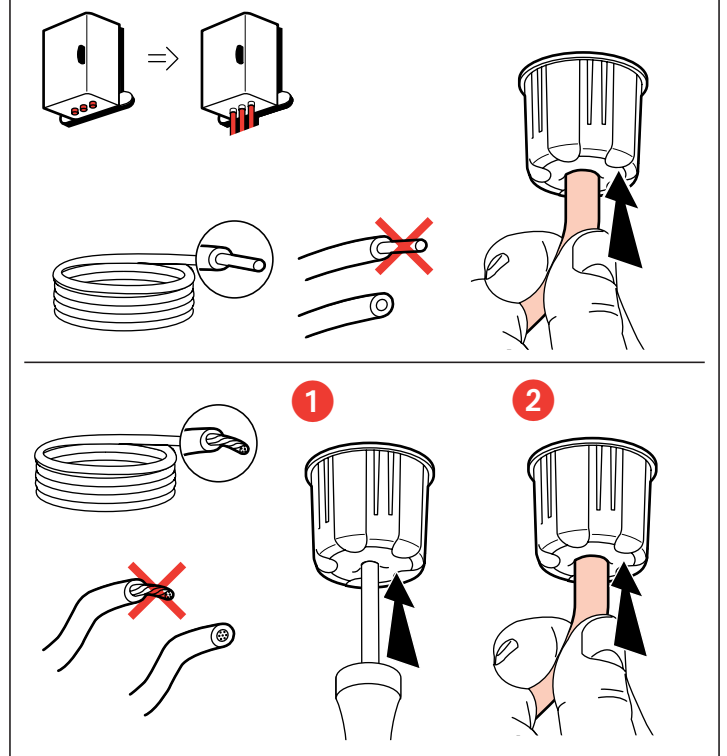
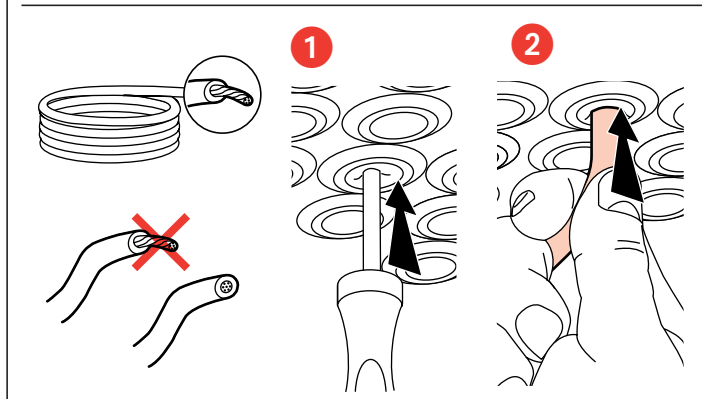
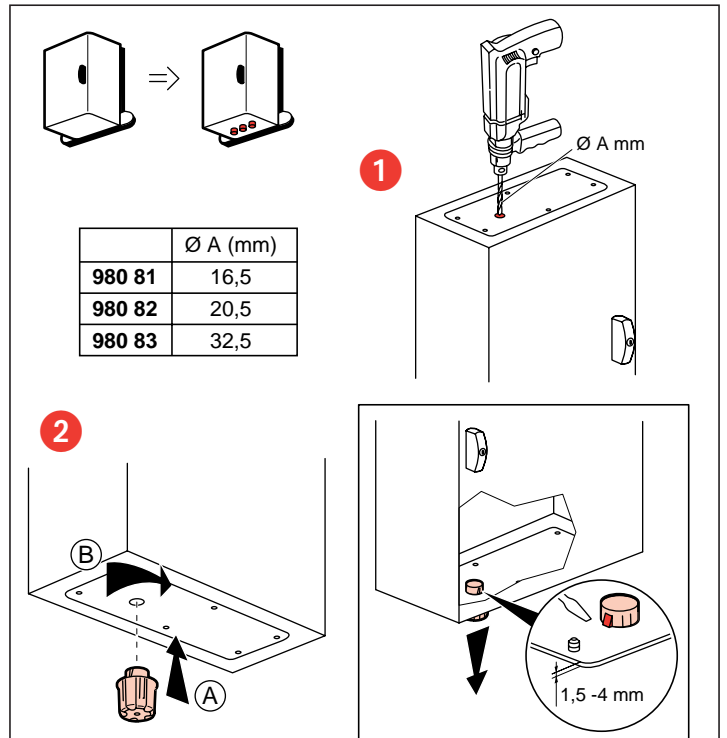
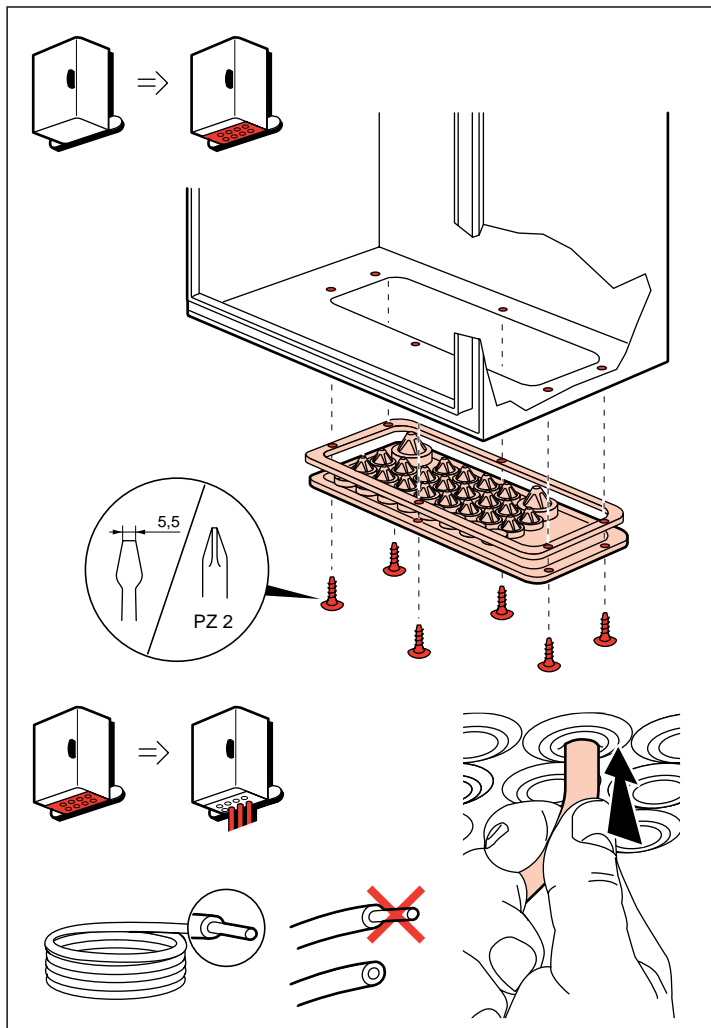
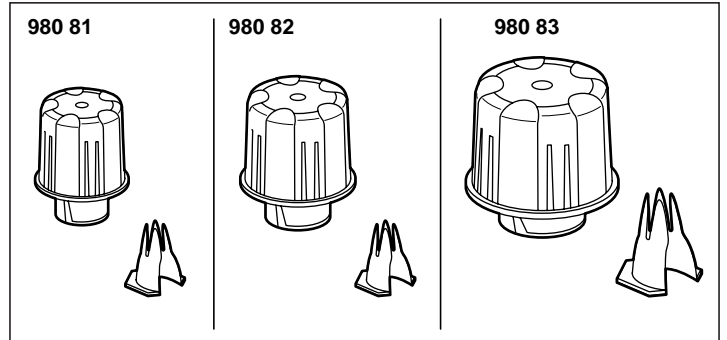
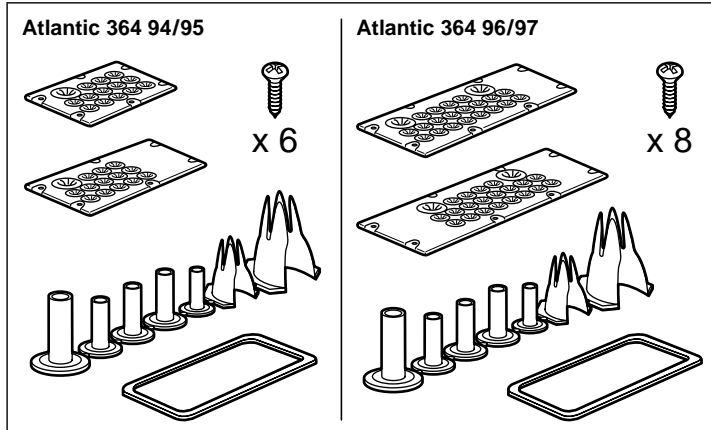
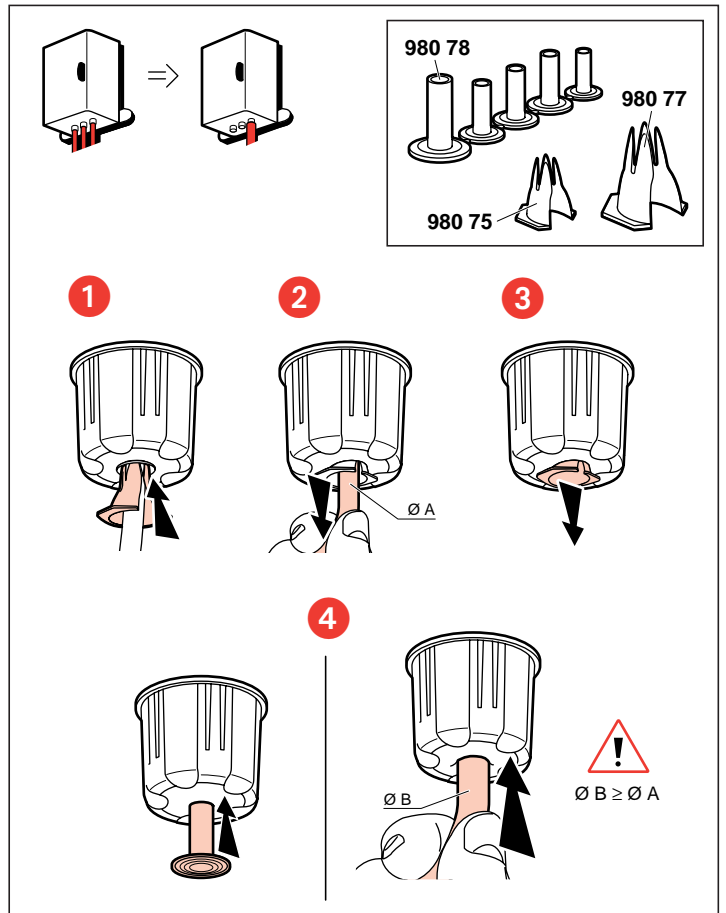
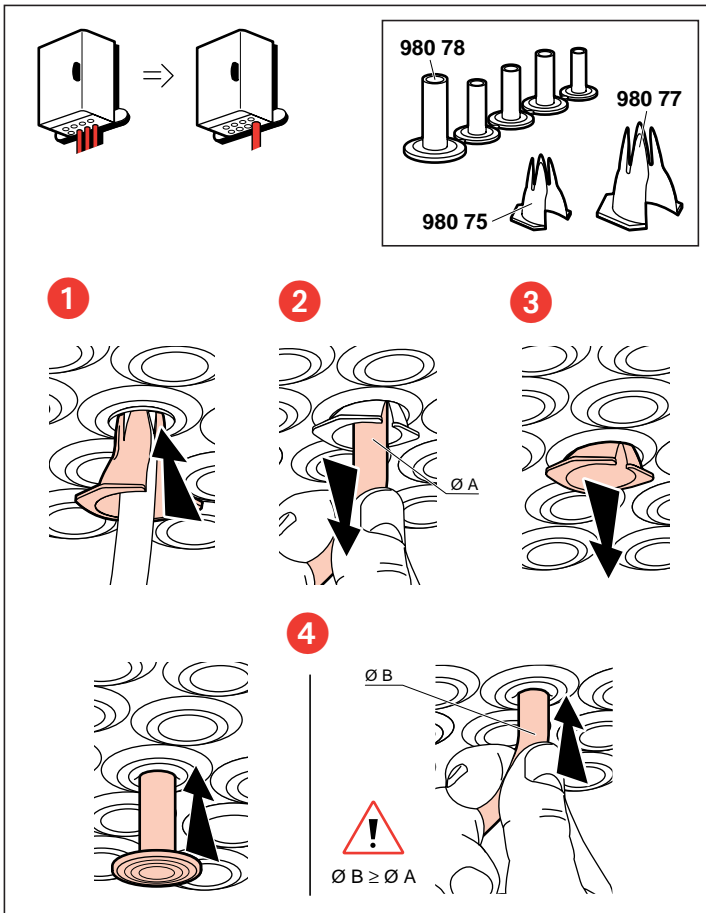


NT 041 693/04





	Ø 3 / 10	Ø 5 / 14	Ø 14 / 24
980 77	-	-	X
980 75	X	X	-
980 78	X	-	-
	-	X	-
	-	-	X

Atlantic™	A (mm)	Cabstop™
	300	364 94
	400	364 95
	500	364 96
	600	364 97
	800	364 97
	1000	2x 364 96
	1200	2x 364 97

364 94		13xØ 5/14 1xØ 14/24
364 95		13xØ 5/14 1xØ 14/24 R1 = 98x110 mm
364 96		28xØ 5/14 2xØ 14/24 R2 = 97x145 mm
364 97		28xØ 5/14 2xØ 14/24 R2 = 98x145 mm

980 81		Ø 3 / 10
980 82		Ø 5 / 14
980 83		Ø 14 / 24