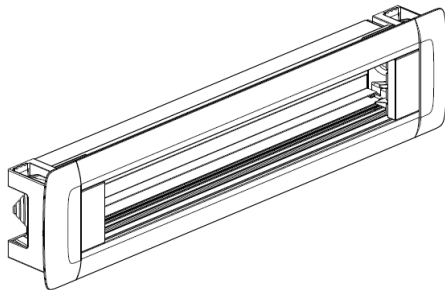


Flush mounting power & data module

Référence(s) : 0 535 60/61/62/63/64/65



CONTENTS	PAGES
1 Range	1 to 2
2 Installation	3 to 5
3 Technical characteristics	5
4 Material characteristics	5

1 RANGE

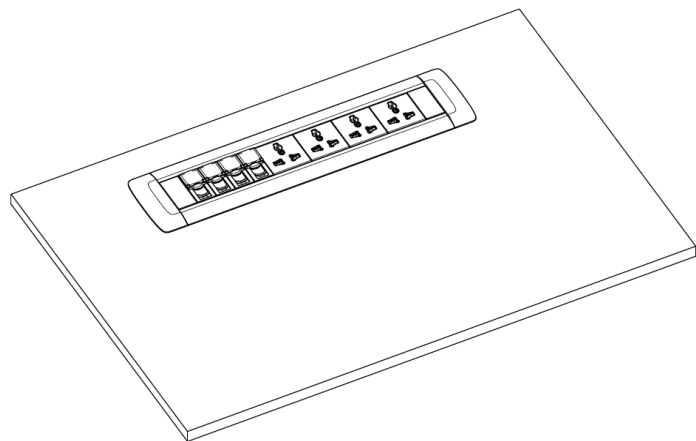
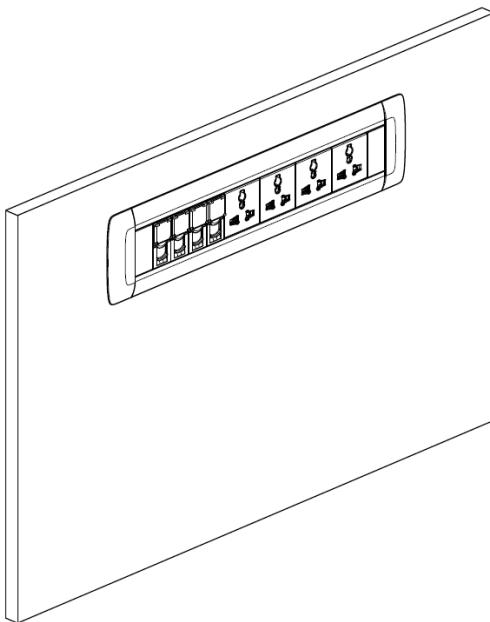
In order to complete our tertiary system and more specifically our offer for offices, Legrand propose from now on a flush mounting power & data module.

This flush mounting power & data modules can be installed in dry supports such as :

- partition walls (fixed or mobile) in offices
- in office furniture (horizontally or vertically)

1- Vertically: partition between two desks; plasterboard...

2- Horizontally: desk top; meeting room table...



Flush mounting power & data module

Référence(s) : 0 535 60/61/62/63/64/65

1 RANGE (continued)

Flush mounting power & data module ref 0 535 60/61/62/63/64/65

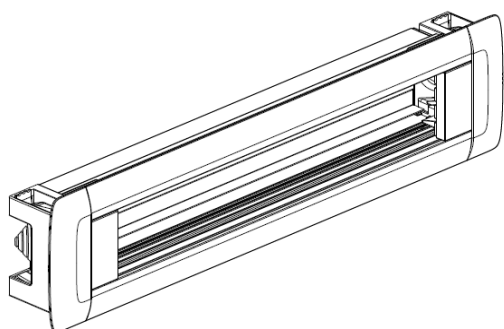
Advantages of the range :

- A ready to embed solution for all dry support with thickness between 3 and 25mm.
- conform to standard NFC 61-314 which ensures safety of the user
- Aesthetic product (no visible screw), thickness of 6mm only.
- Product on demand according to customer configurations (1 or 2 power circuits, data, AV, protection etc...)

Range:

References	Designation
0 535 60	8 modules White to be equipped
0 535 61	8 modules Stainless to be equipped
0 535 62	8 modules Black to be equipped
0 535 63	12 modules White to be equipped
0 535 64	12 modules Stainless to be equipped
0 535 65	12 modules Black to be equipped

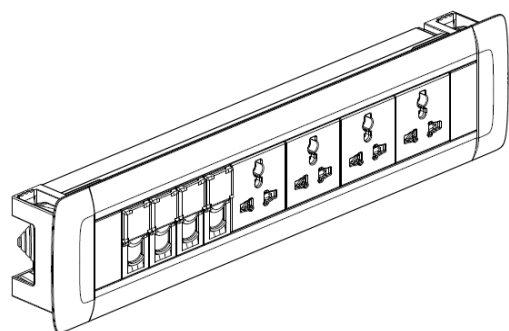
Example with empty version for 12 modules



Example with power & data module

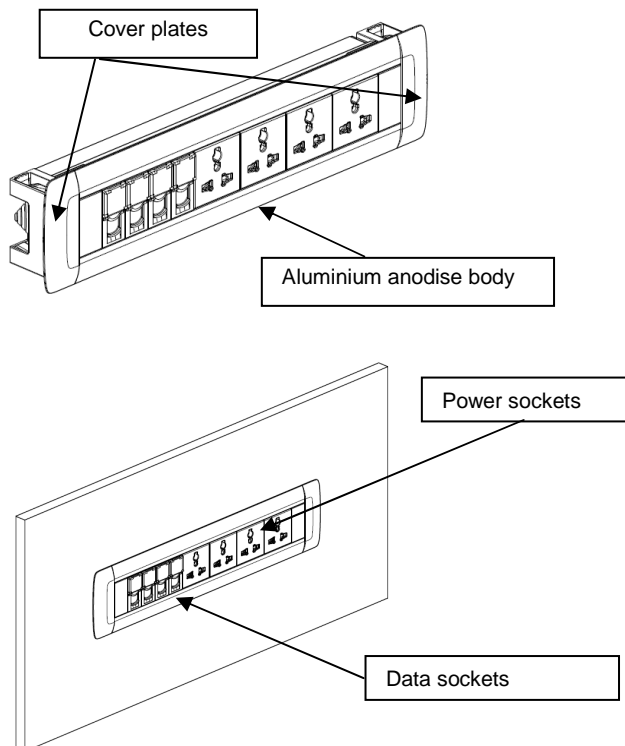
Composition :

- 4 x 2 P+E sockets
- 4 x RJ 45 sockets cat. 6 FTP 1 module



1 RANGE (continued)

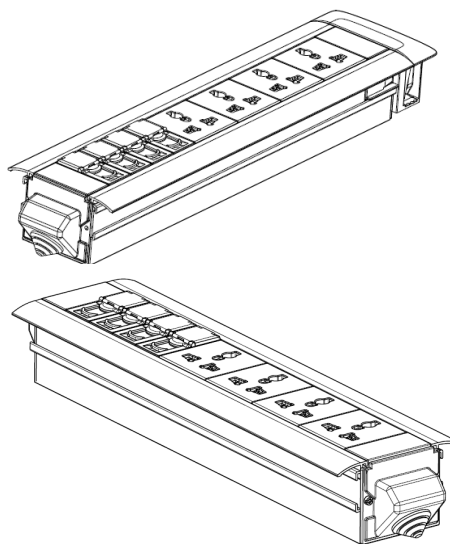
Fixation accessory at the end of tank allowing the fixation of the module with cables spreading properly.



Power : 16A 3680W in 230V (AC)

Example of flush module for embedded assembly :

Module to be connected:



To be connected with cords :
HO5 VVF 3G 1.5 mm² or 3G 2.5 mm²
HO7 RNF 3G 1.5 mm² or 3G 2.5 mm²

Note:
Connection (for power and data) can be done in both sides according to the constraint of the installation site.

Flush mounting power & data module

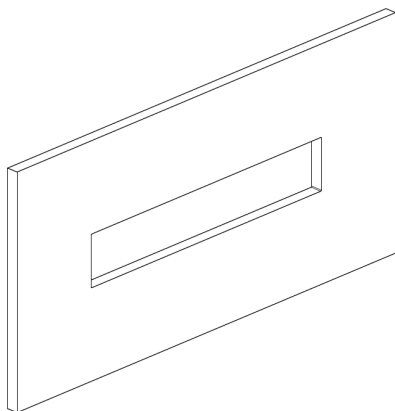
Référence(s) : 0 535 60/61/62/63/64/65

2 INSTALLATION.

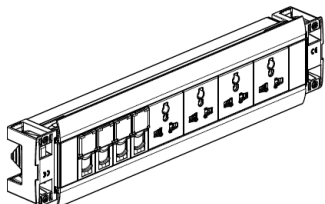
With screws/clamps :

Fixes itself on the wall (in the plasterboard) integration in dry wall horizontally or vertically

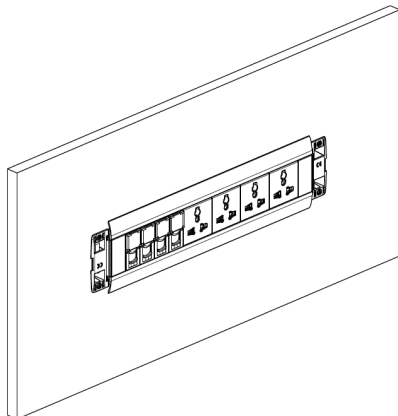
1 – Cut the wall to fix the module



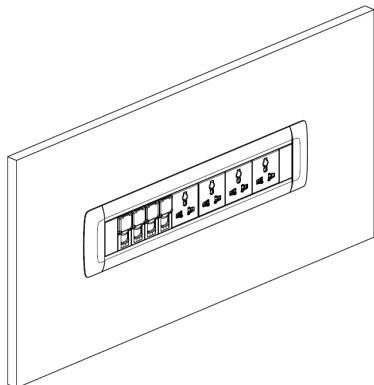
2 - The flush mounting power & data modules are provided with fixation end caps making it possible to embed the product directly in the wall and to ensure the bending radius of the cable



3 - Embed the complete block in the wall and screw until the module nets fixed

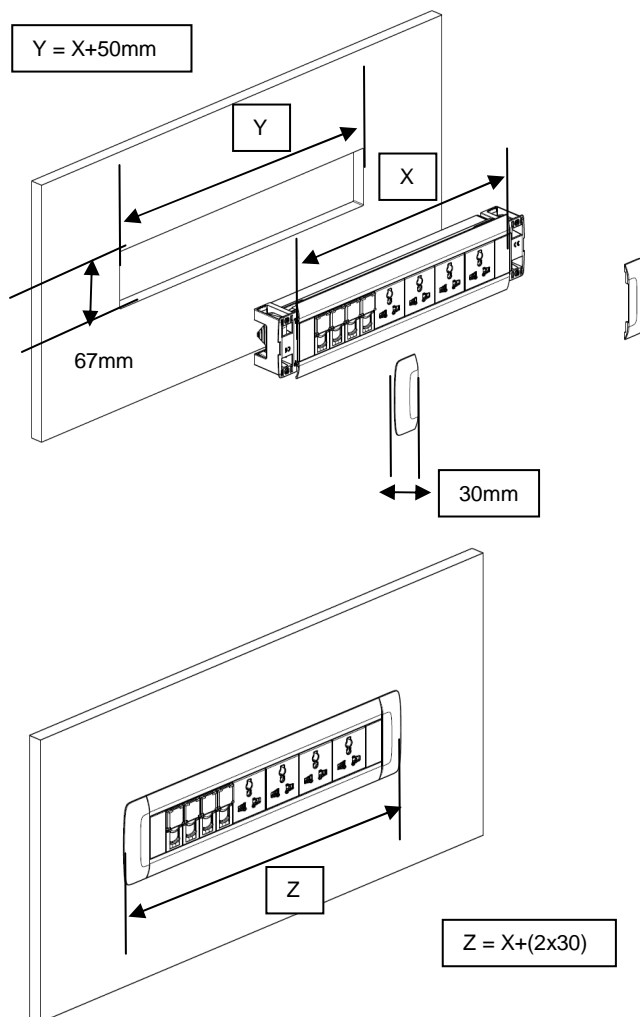


4 – Lastly, to ensure a perfect finishing, clip the cover plate on each end of the product



2 INSTALLATION (continued)

To install the product :



Dimensions of ref 0 535 60/61/62/63/64/65 :

	For 8 modules	For 12 modules	Special product
body (mm)	225	315	X
Y = spacing on hollow wall (mm)	275	365	Y = X+50mm
Z = total dimension (mm)	285	375	Z = X+(2x30)

Note:

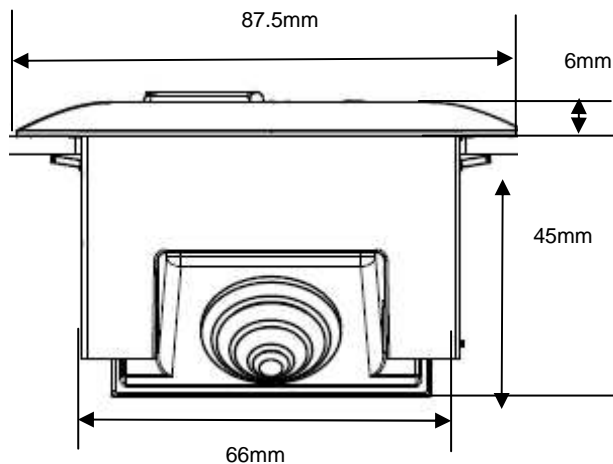
8 modules for ref 0 535 60/61/62
12 modules for ref 0 535 63/64/65

Flush mounting power & data module

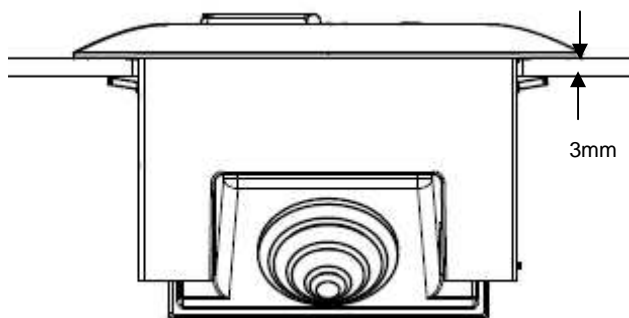
Référence(s) : 0 535 60/61/62/63/64/65

2 INSTALLATION (continued)

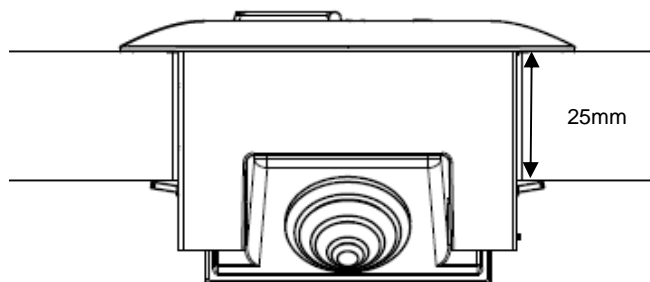
Dimensions + thickness mini/max :



Minimum thickness to install in the wall :



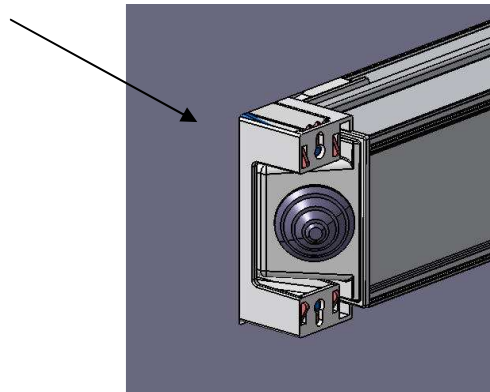
Maximum thickness to install in the wall :



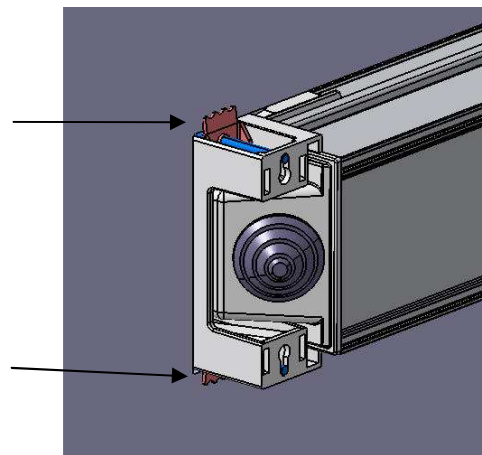
2 INSTALLATION (continued)

Installation in dry wall vertically or horizontally

Install the flush mounting power & data module on dry wall:

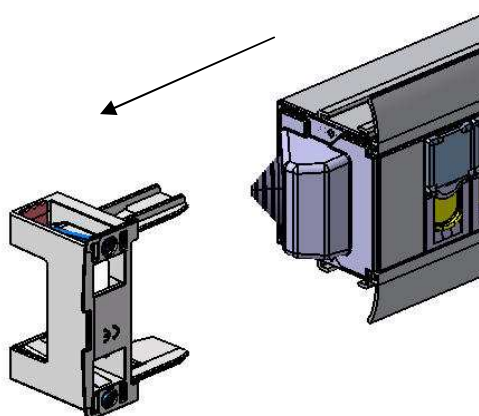


Then, screw until the blocking of the unit (the mounting feet will fix the module on the wall)



Note :

It is possible to disassemble the fixation end cap to make it easier to wire or for any other maintenance operation.

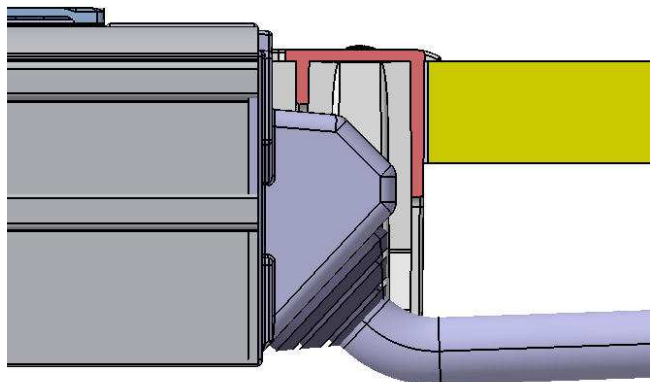


Introduce the end cap in the slides along the aluminium body until they get fixed.

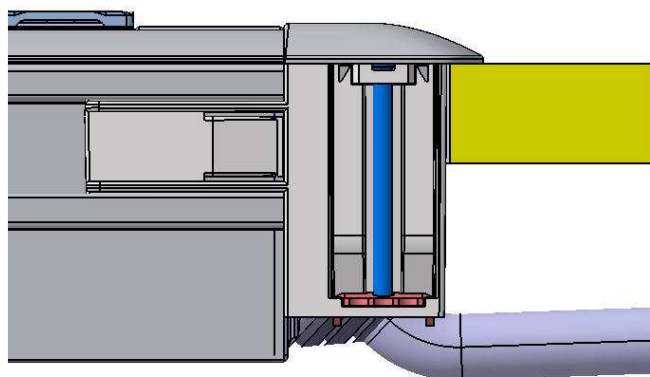
2 INSTALLATION (continued)

Position of cables in the flush mounting module during installation.

Section of the module in the wall with position of cables.



Section of the module with position of cable after end caps screwing and installation of cover plates.



Product not delivered with extension cable :

Possibility to use :

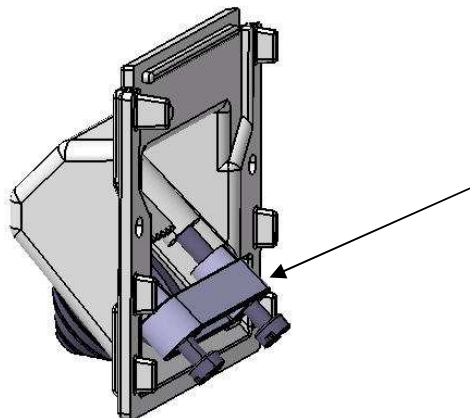
HO5 VVF 3G 1.5 mm² or 3G 2.5 mm²
HO7 RNF 3G 1.5 mm² or 3G 2.5 mm²

3 TECHNICAL CHARACTERISTICS

Earthing of the body :

Earthing is necessary only if the module have more than one circuit.

Multi-outlets to be wired are equipped with tightener (centres of fixing = 28mm).



End cap with cable clamp integrated for an optimal safety

4 MATERIAL CHARACTERISTICS

Product (body) : in aluminium (Anodized or White lacquer or Black lacquer)

End caps in ABS grey RAL 7035

Cover plate in ABS white RAL 9003 or Black RAL 9017 or Painted Aluminic