

CE FAS  
CE FAS

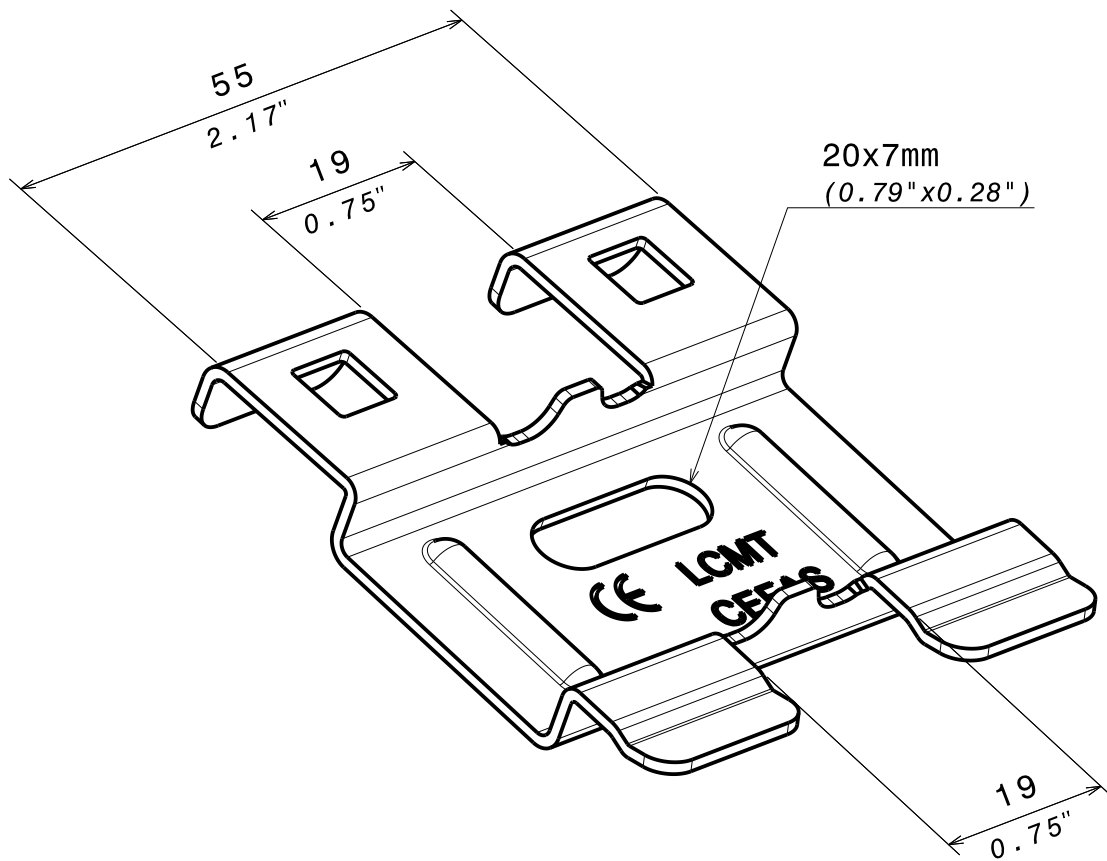
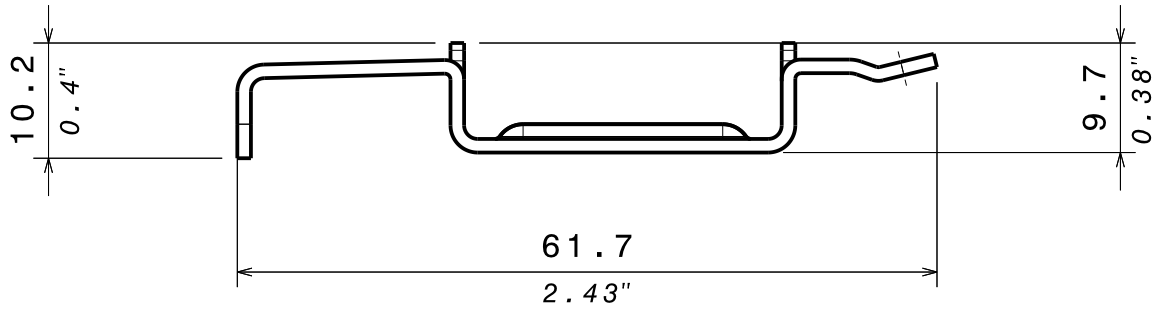
INOX 316L  
SS316L



CABLE  
MANAGEMENT

FT0495-4

11-16



REF	CODE	POIDS / WEIGHT (Kg) (lb)		EPAISSEUR / THICKNESS	
CE FAS	558 414	0.034	0.07	1.2	(0.04")

<b>Material</b>	<b>Standard</b>
X2 Cr Ni Mo 17-12-2	EN 10088-2
<b>Finition Coating</b>	<b>Standard</b>
INOX 316L	