

CE FAS

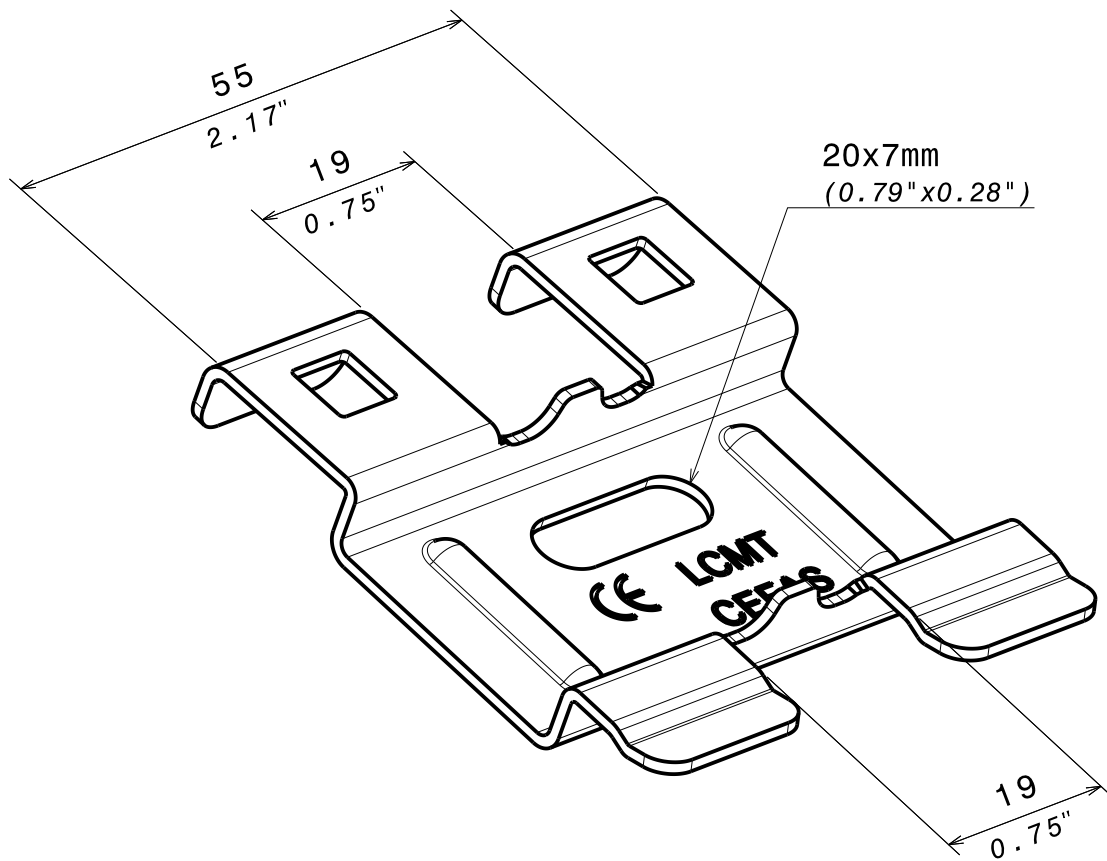
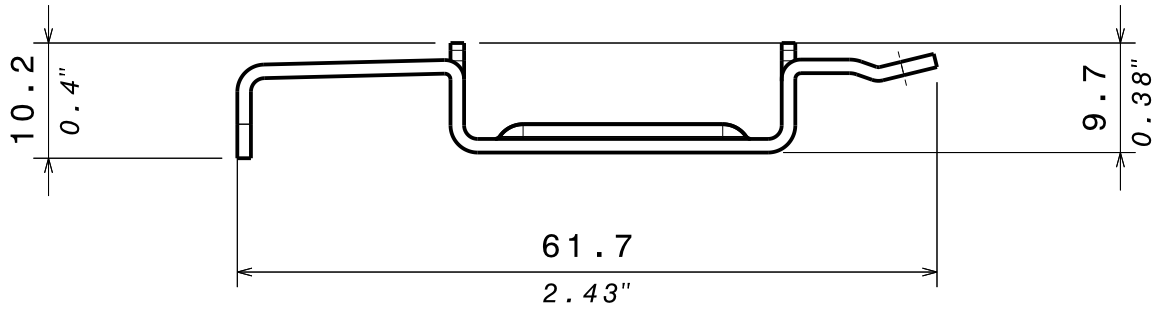
ZnL



CABLE  
MANAGEMENT

FT0495-7

01 - 20



<b>Material</b>	<b>Standard</b>
DC01	EN 10130
<b>Finition Coating</b>	<b>Standard</b>
ZnL	Class 6 according to CEI 61537

REF	CODE	POIDS / WEIGHT		EPAISSEUR / THICKNESS	
		(Kg)	(lb)		(0.04")
CE FAS	558 417	0.036	0.07	1.2	(0.04")