

0 362 50

2

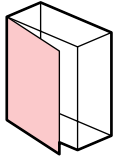
3

0 362 51/52/55/56/61/63/64/  
71/72/75/76/81/83/84/

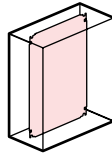
4

8

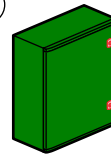
(A)



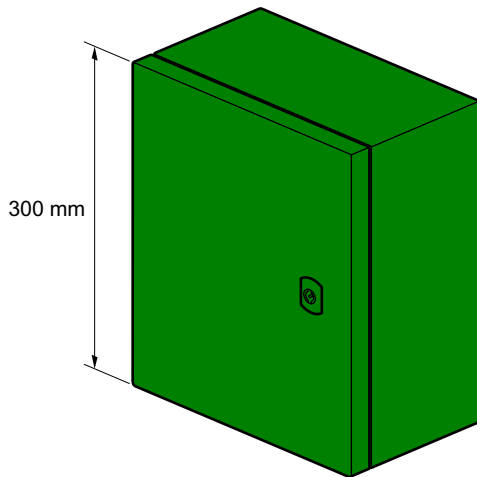
(B)



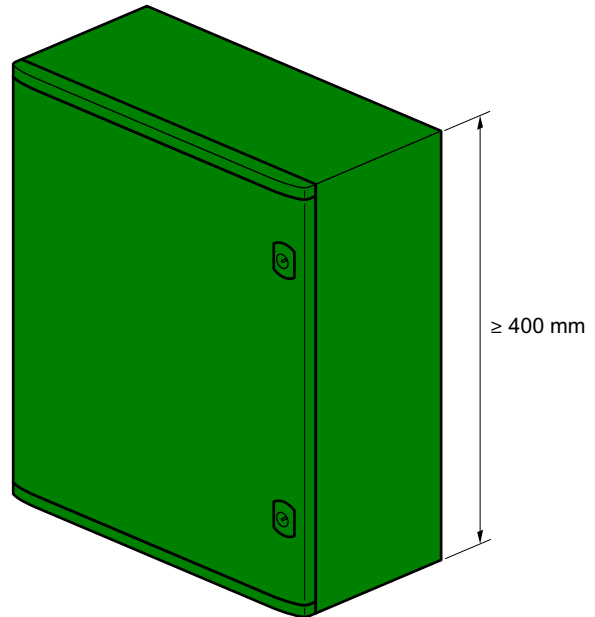
(C)



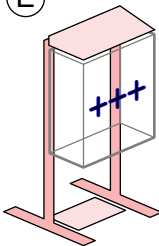
0 362 50



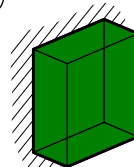
0 362 XX



(E)

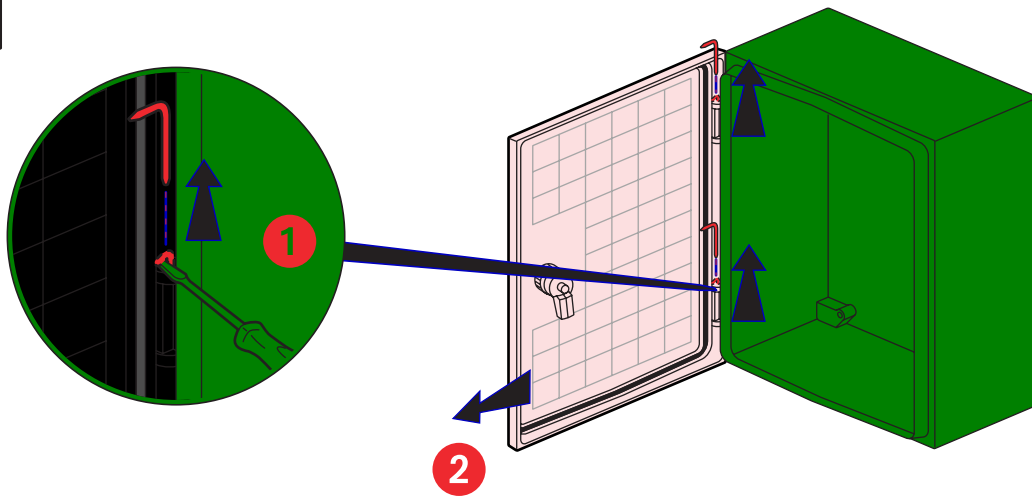
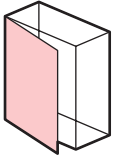


(D)



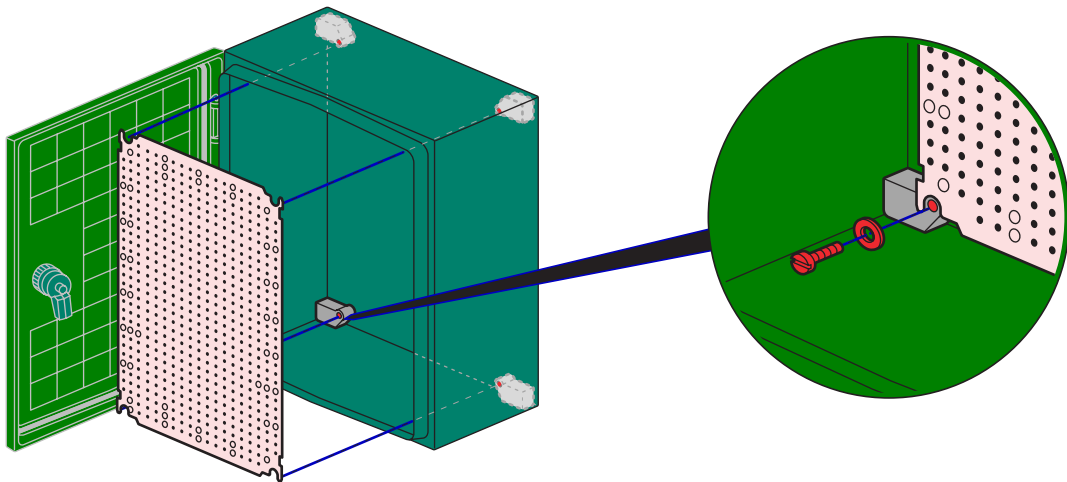
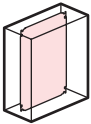
0 362 50

(A)

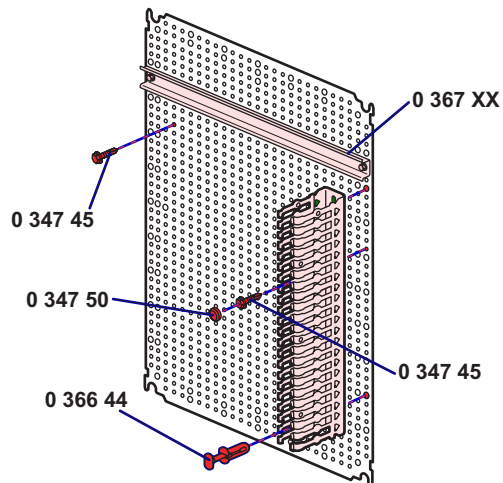


0 362 50

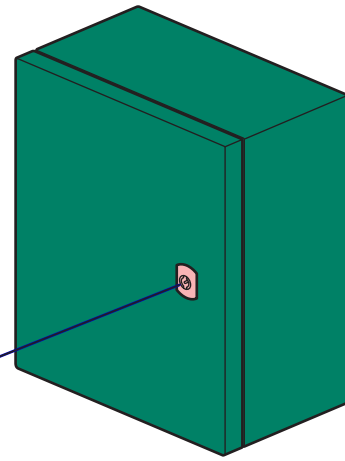
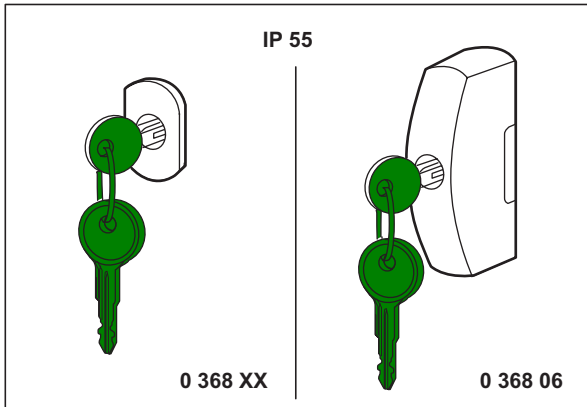
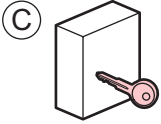
(B)



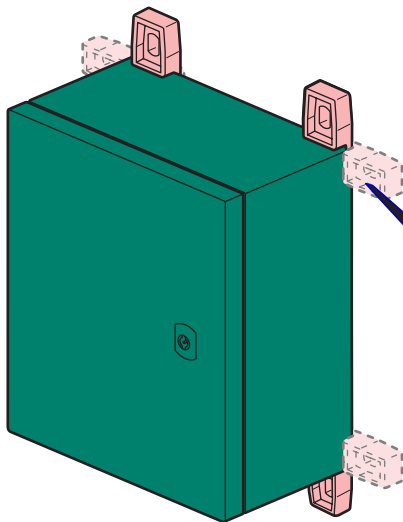
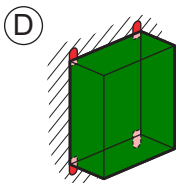
Lina 12,5



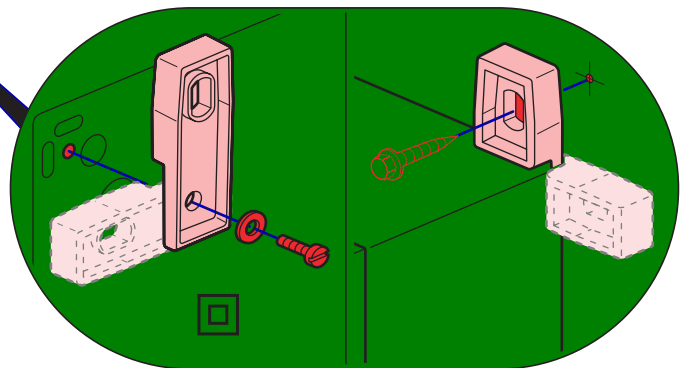
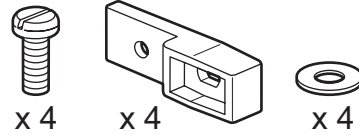
0 362 50



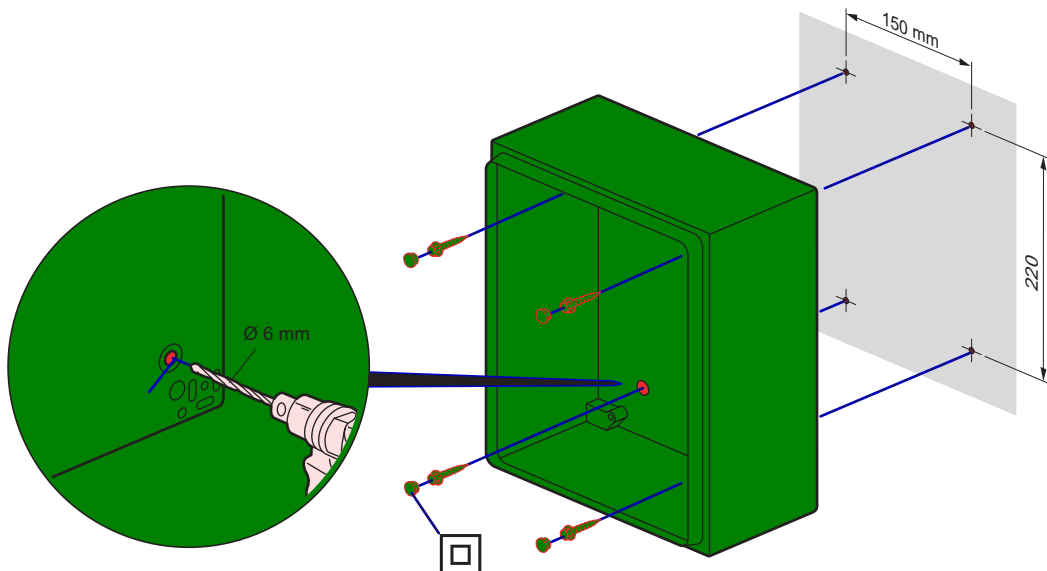
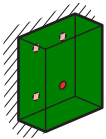
0 362 50



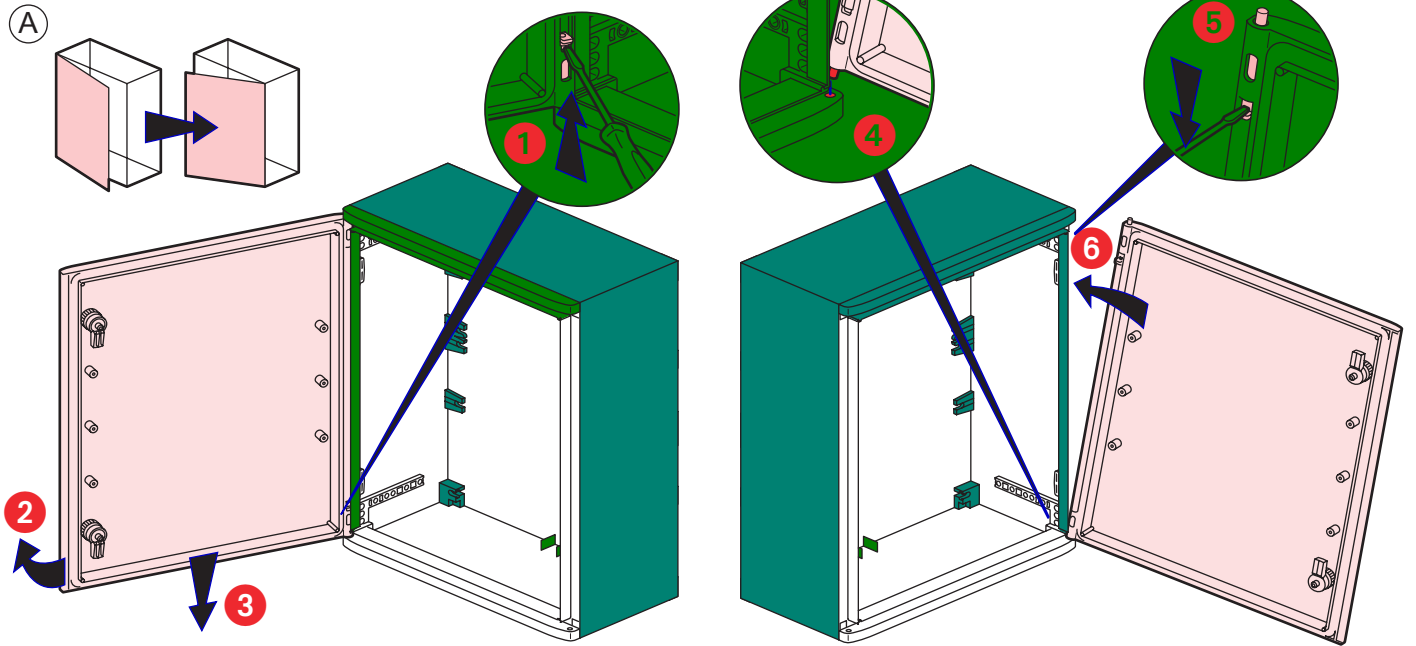
0 364 08



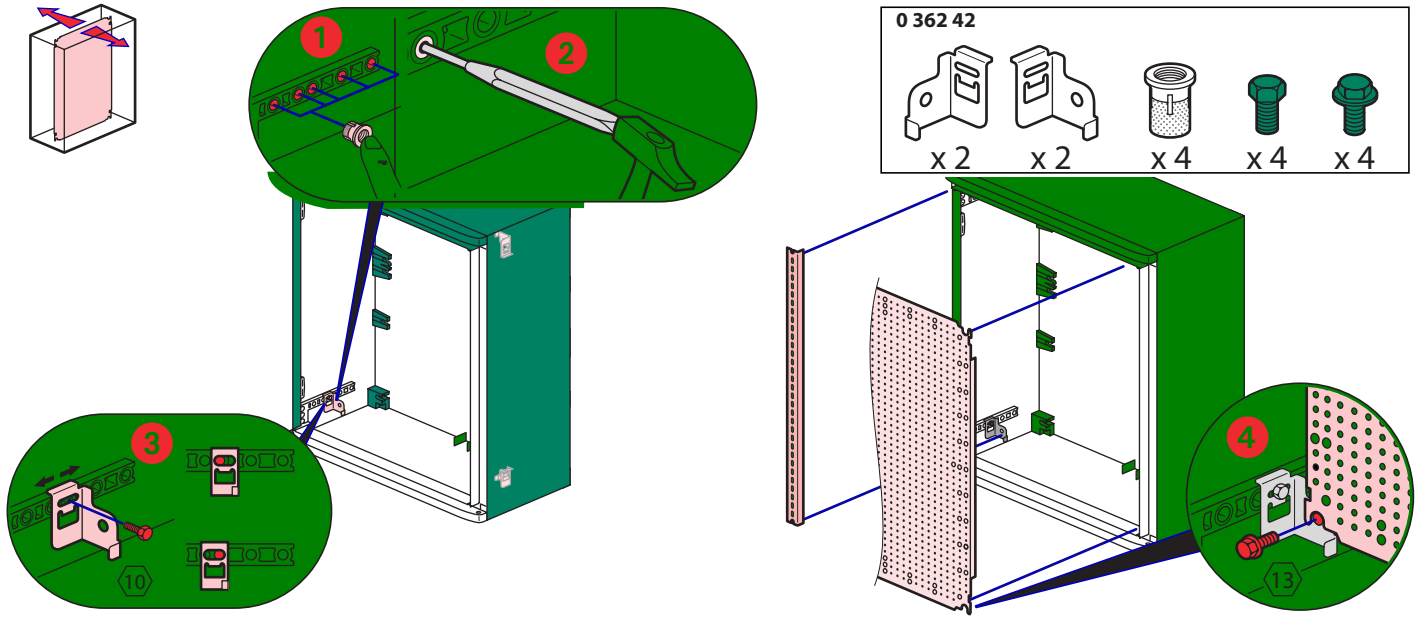
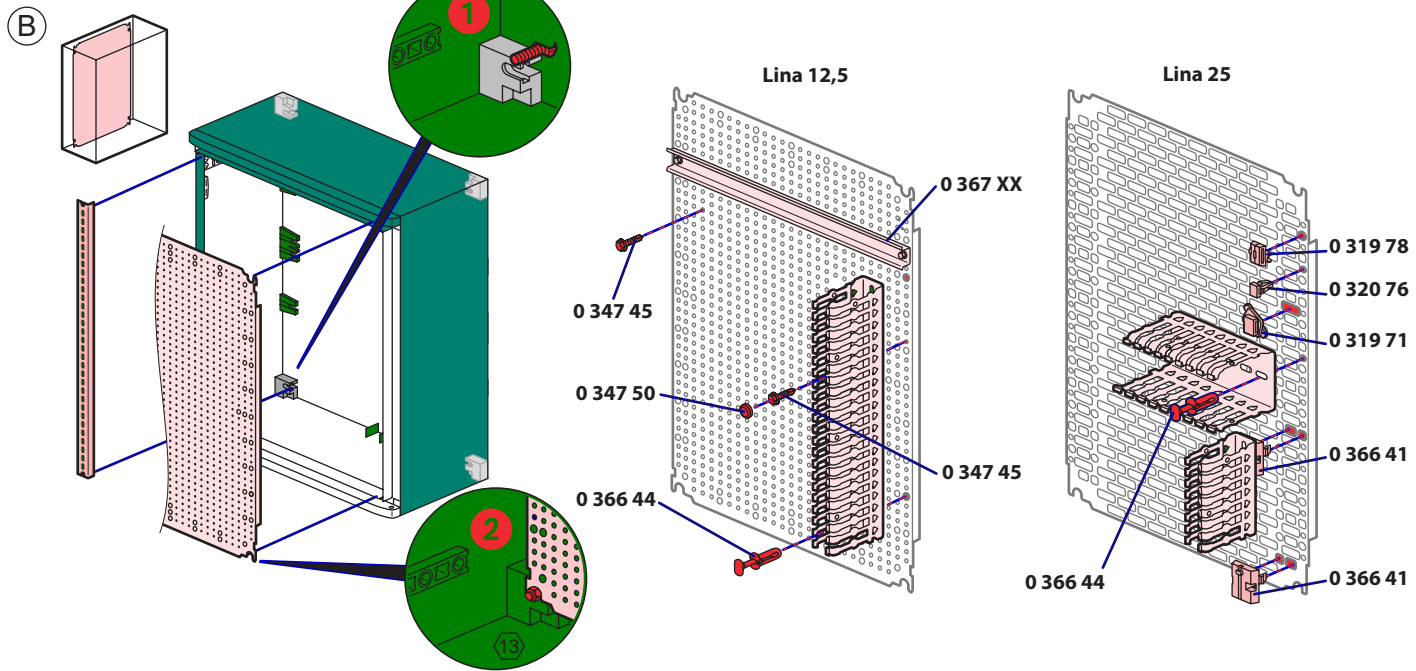
D<sub>1</sub>

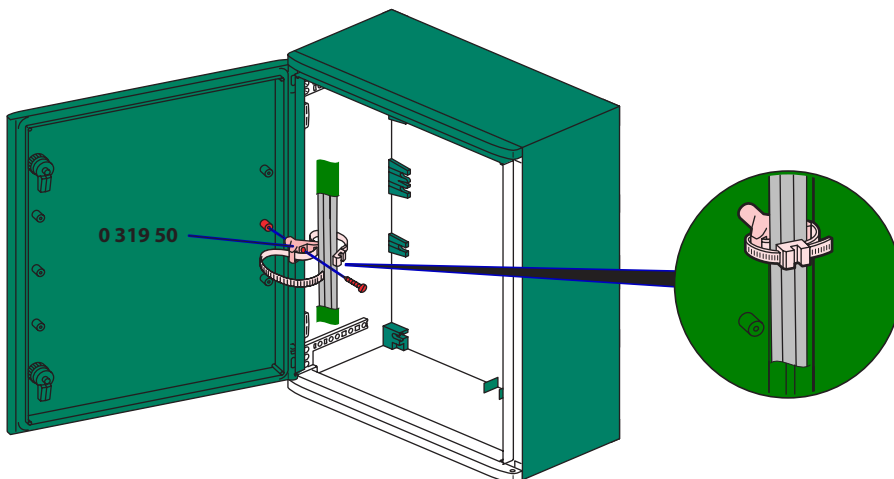
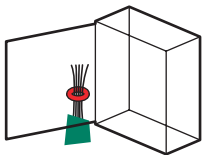
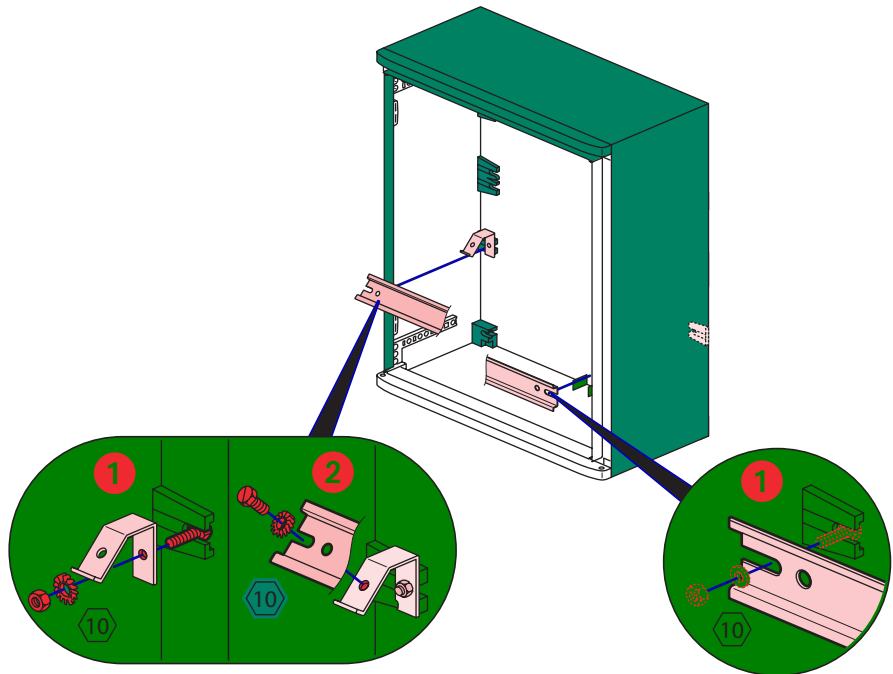
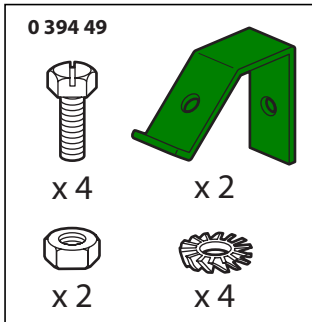
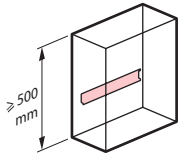
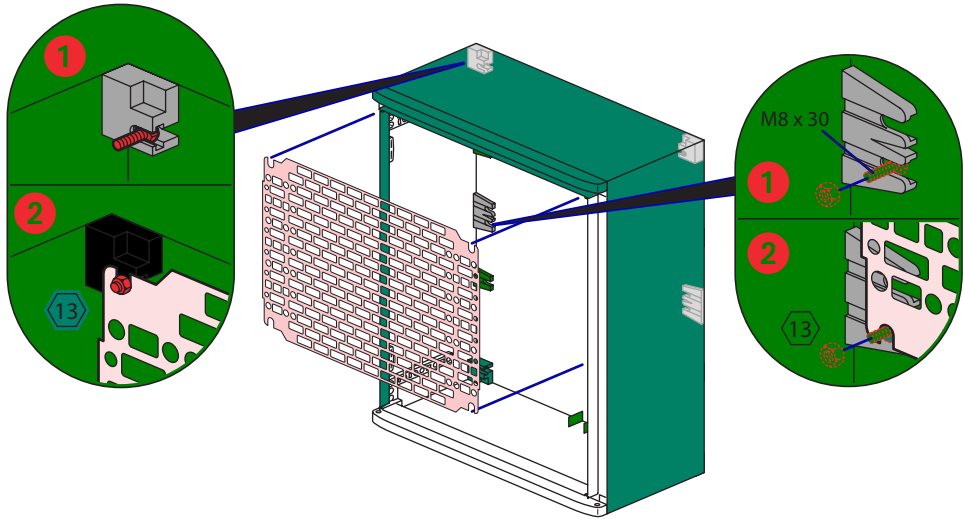
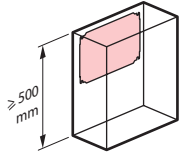


0 362 51, ... .., 0 362 84

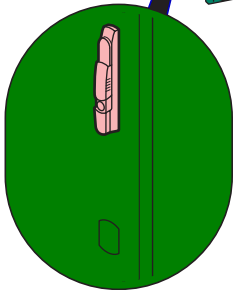
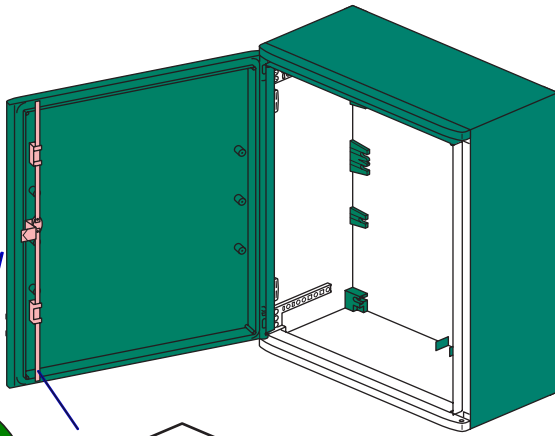
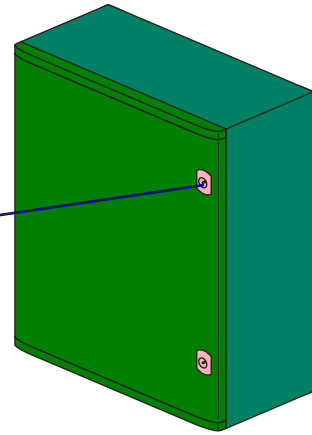
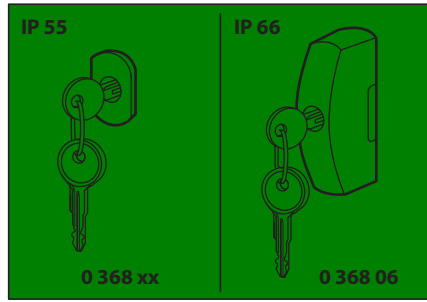
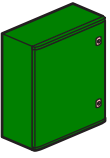


0 362 51, ... .., 0 362 84

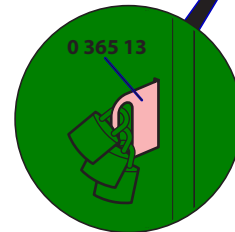
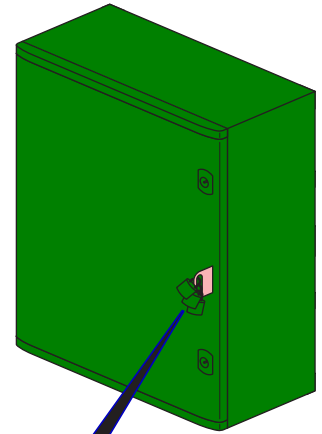
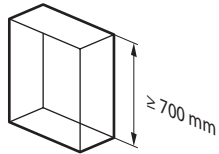




(C)

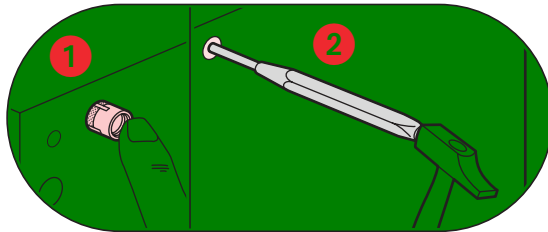
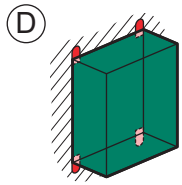


0 368 07

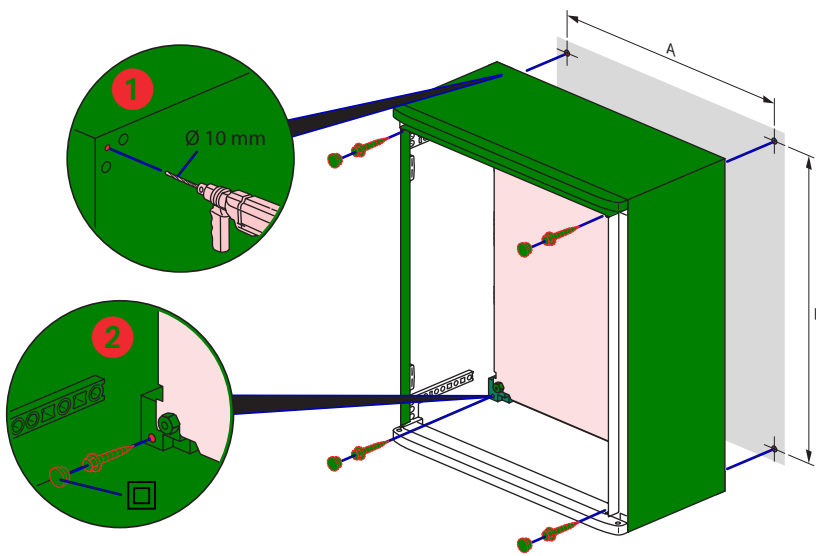
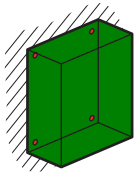
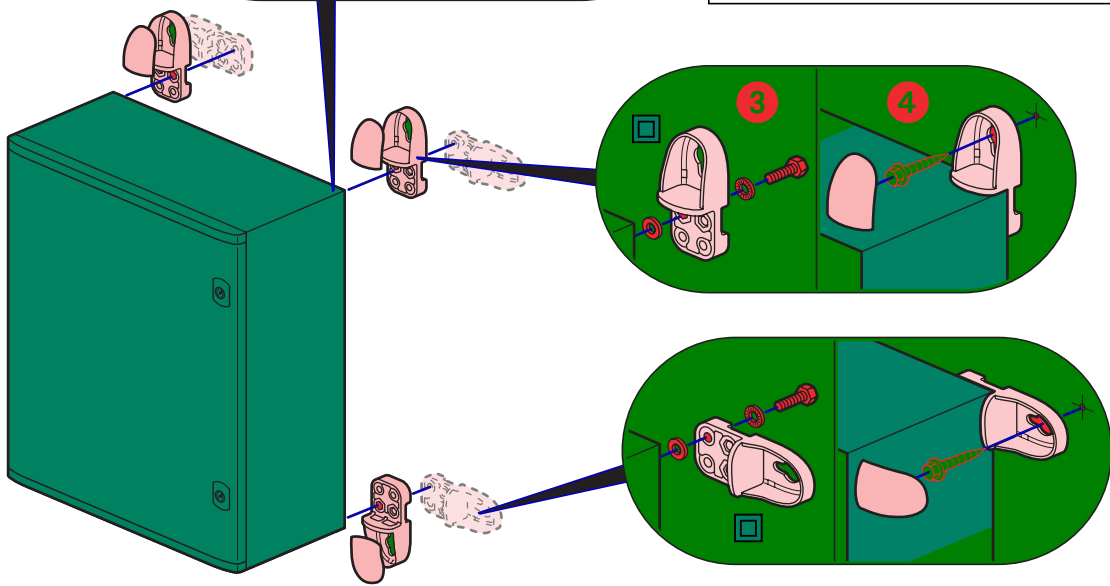
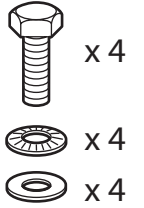
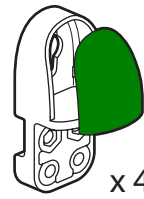


0 365 13

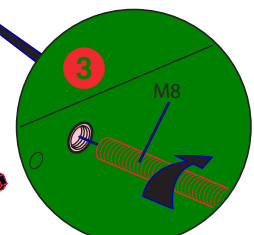
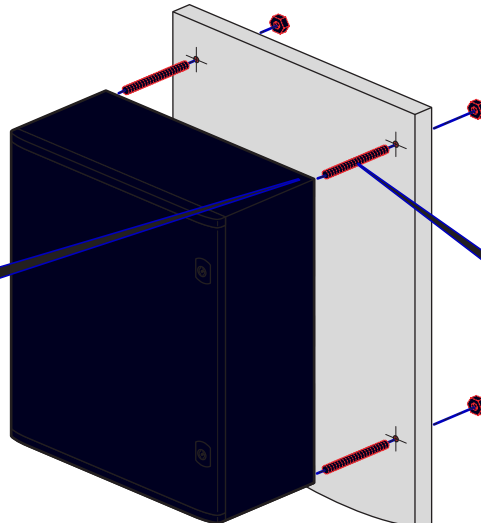
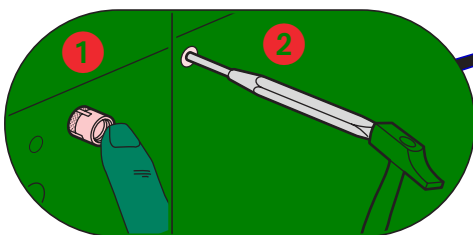
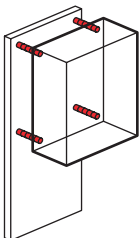
0 362 51, ... .., 0 362 84



0 364 09



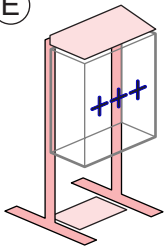
	A (mm)	B (mm)
0 362 51/71	259	358
0 362 52/72	359	458
0 362 55/75	358	558
0 362 56/76	468	664
0 362 61/81	568	764
0 362 63/83	768	964
0 362 64/84	768	1164



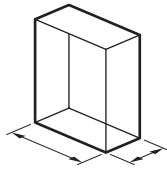
0 362 40



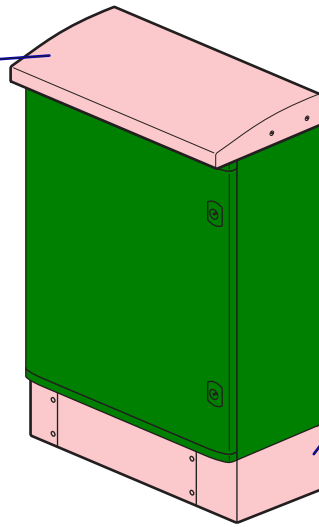
(E)



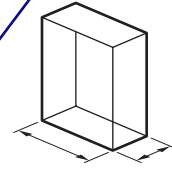
0 362 93/94/95



500 x 250 mm  
600 x 300 mm  
800 x 300 mm



0 362 91/92



600 x 300 mm  
800 x 300 mm

