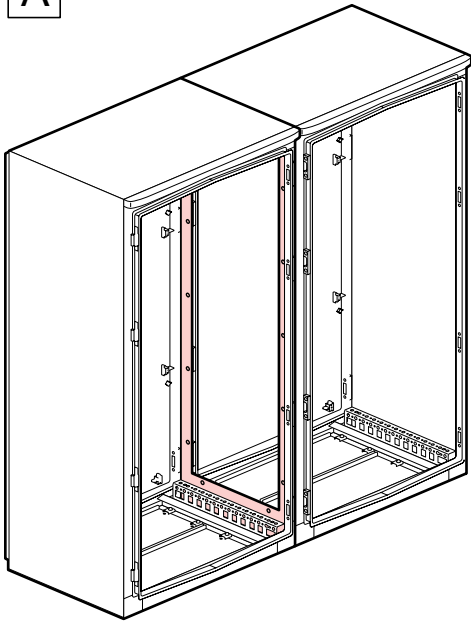
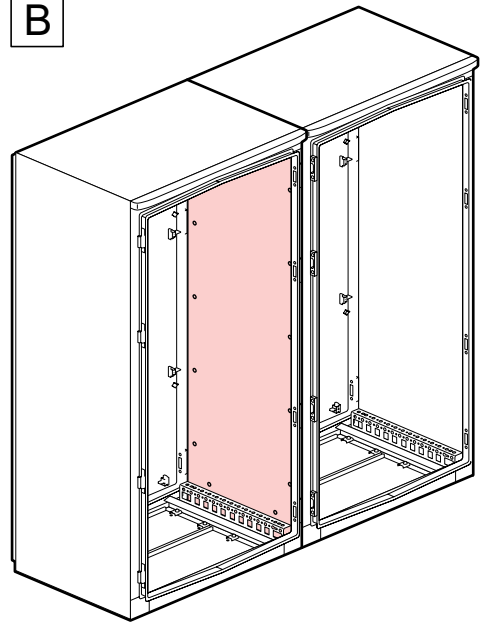


A

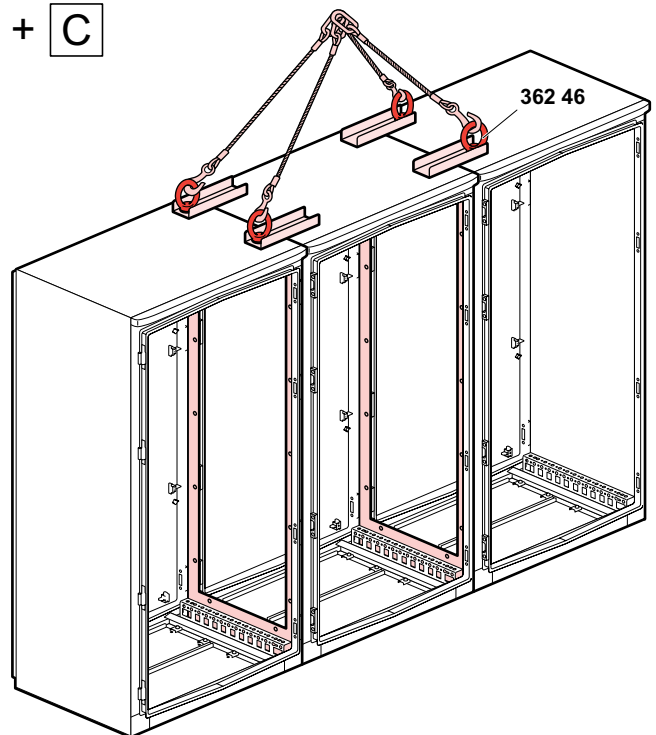
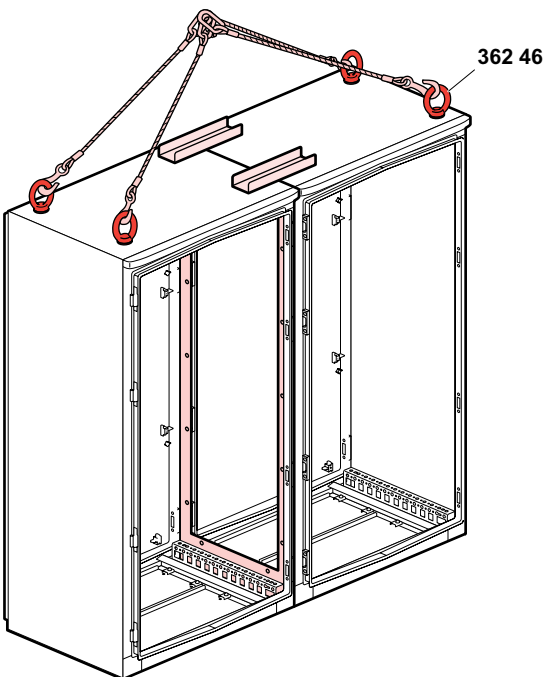


B

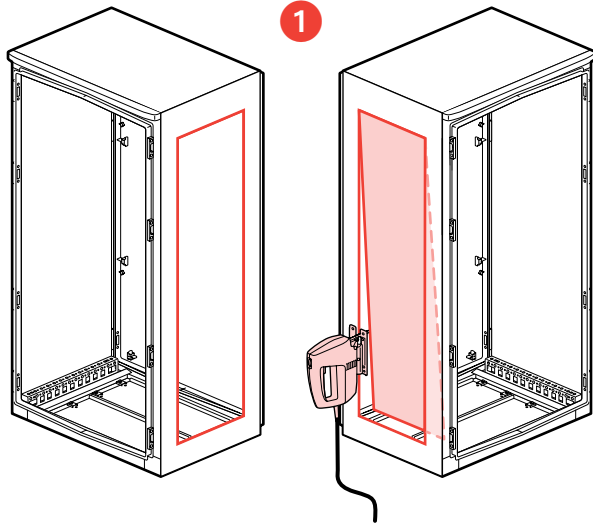


A + C

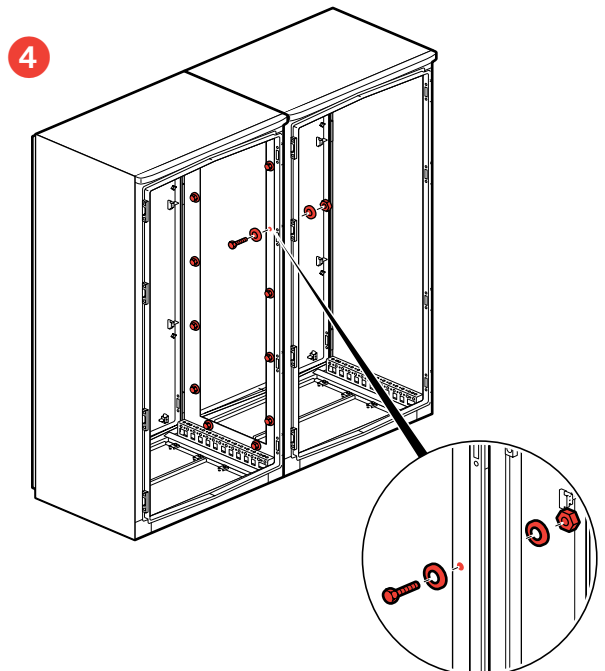
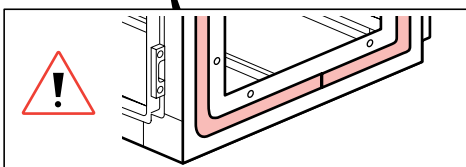
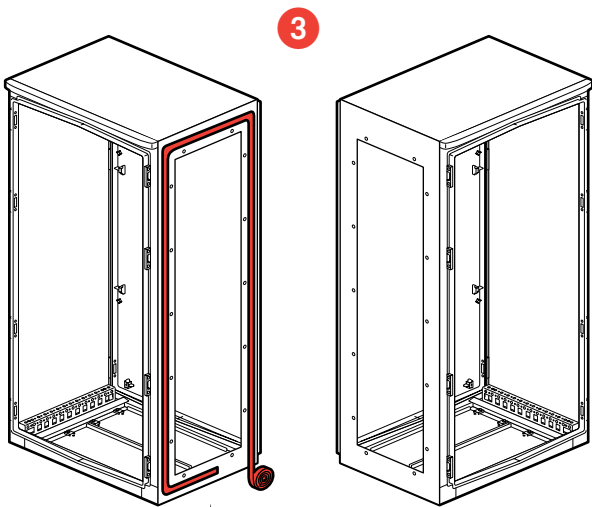
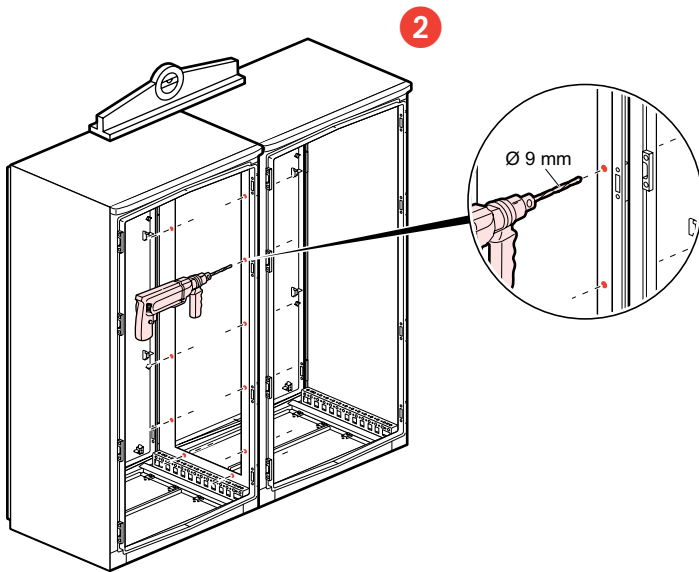
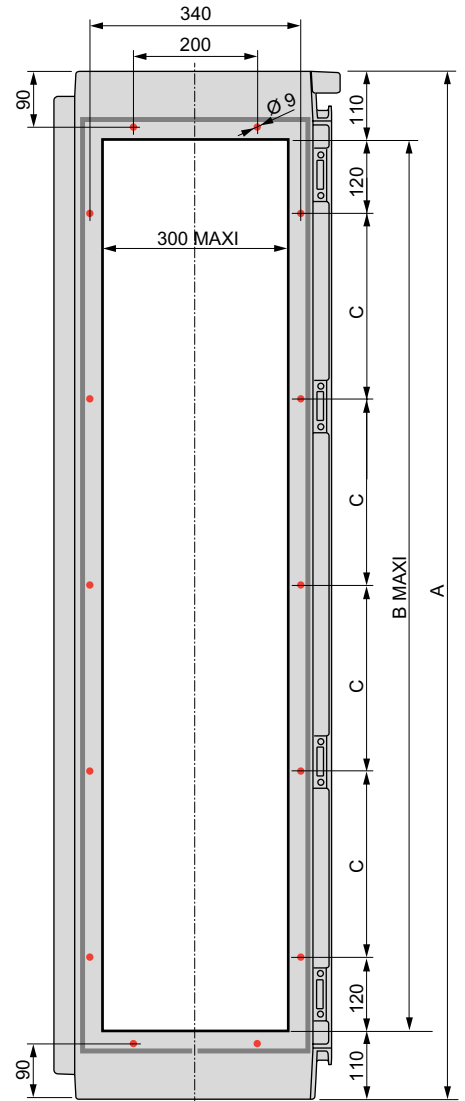
B + C



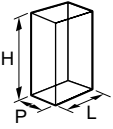
A

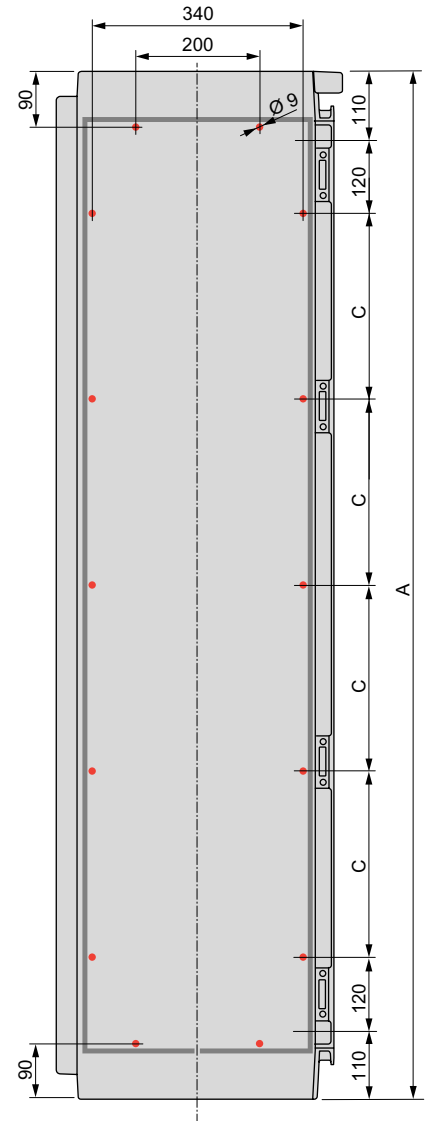
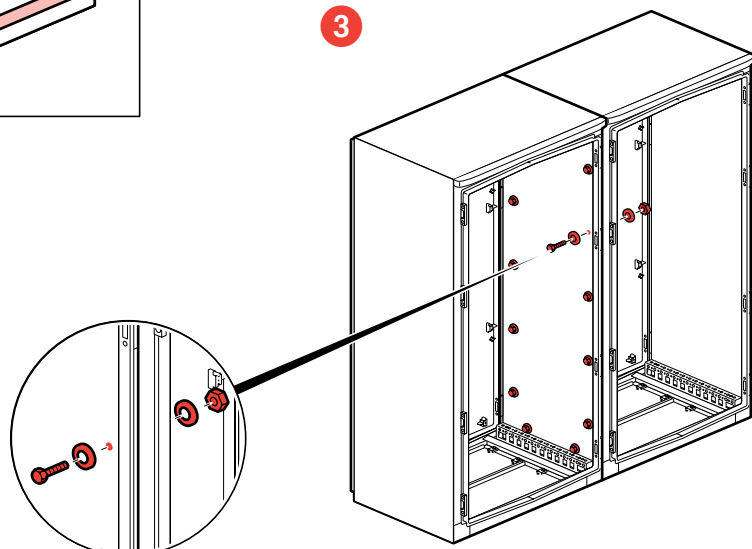
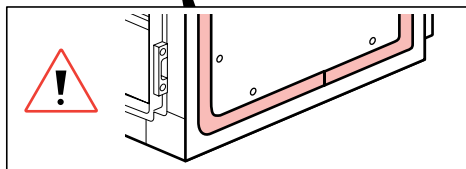
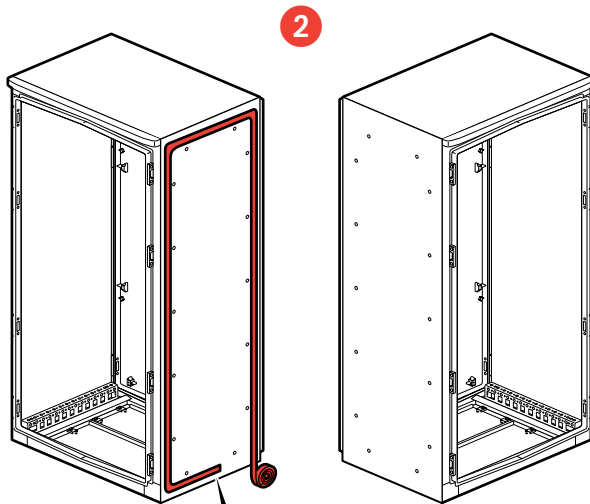
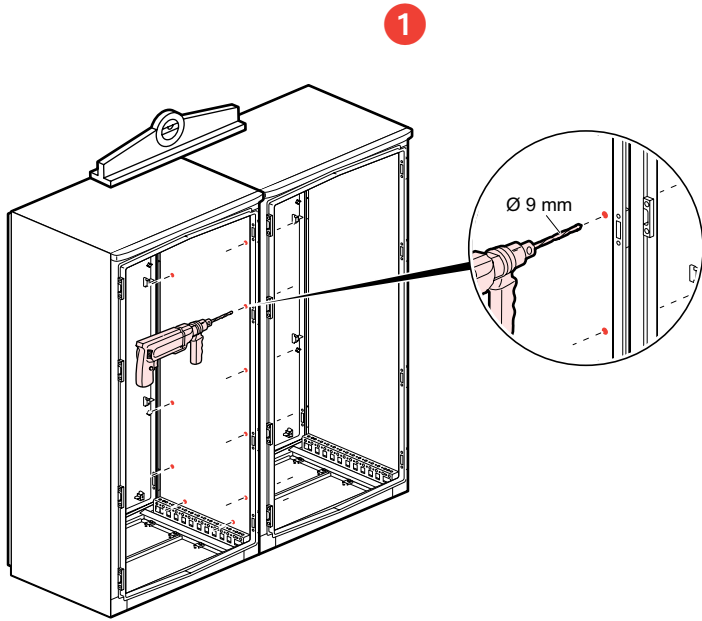


H x L x P (mm)	A	B	C
1400 x 800 x 400	1460	1240	250
1600 x 800 x 400	1660	1440	300
1800 x 800 x 400	1860	1640	350

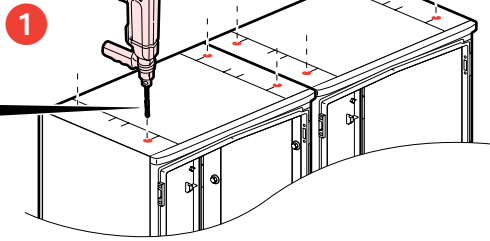
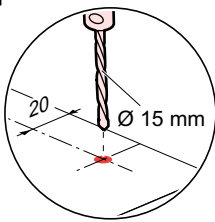


B

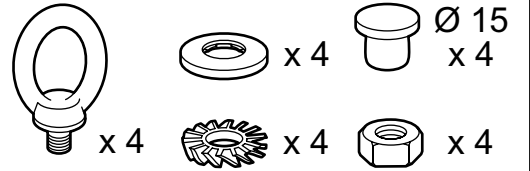
	H x L x P (mm)	A	C
	1400 x 800 x 400	1460	250
1600 x 800 x 400	1660	300	
1800 x 800 x 400	1860	350	



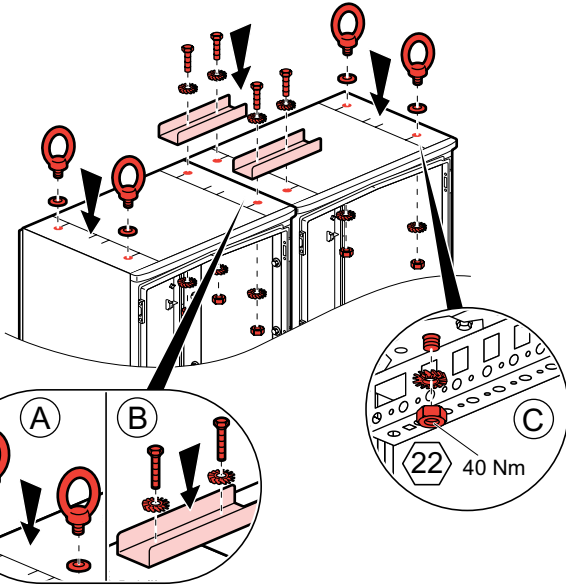
C



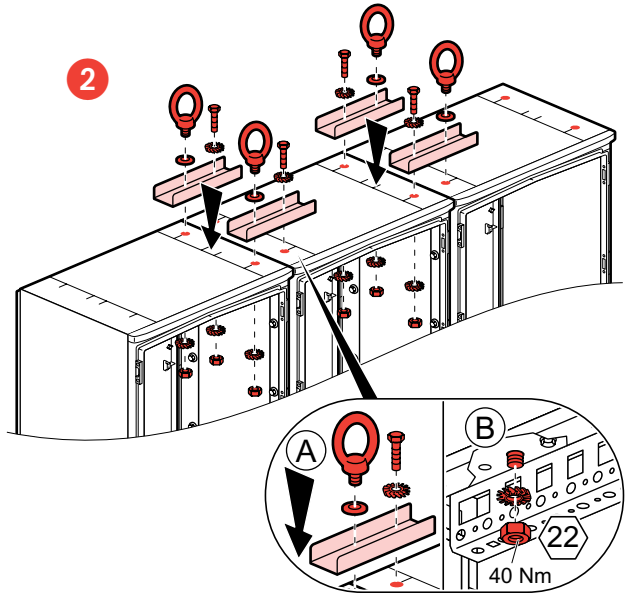
362 46



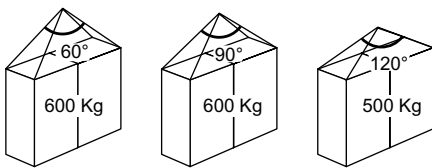
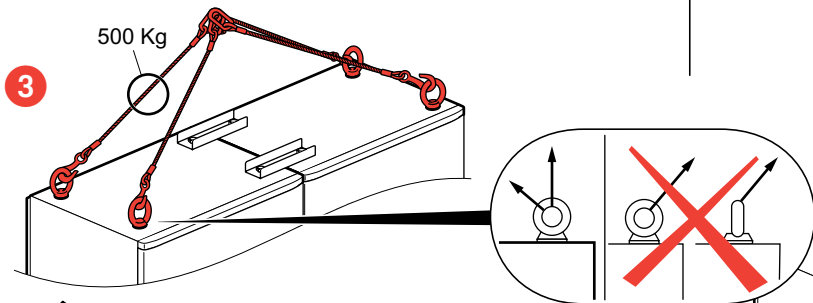
2



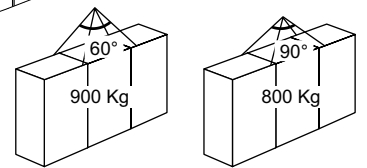
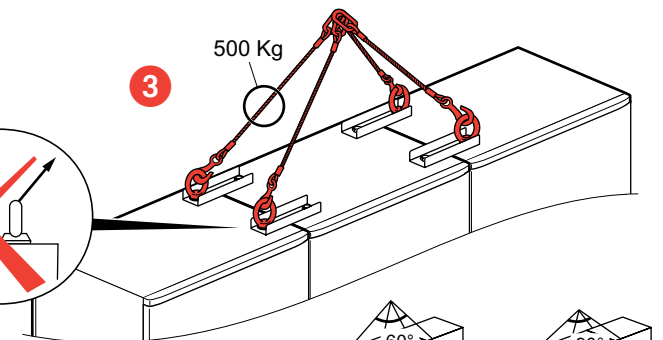
2



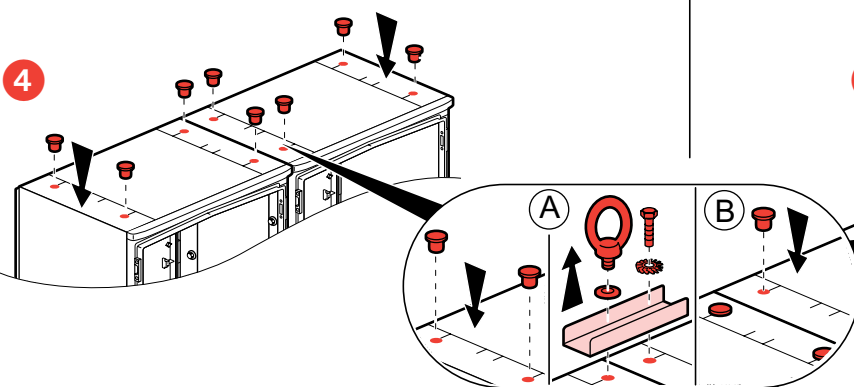
3



3



4



4

