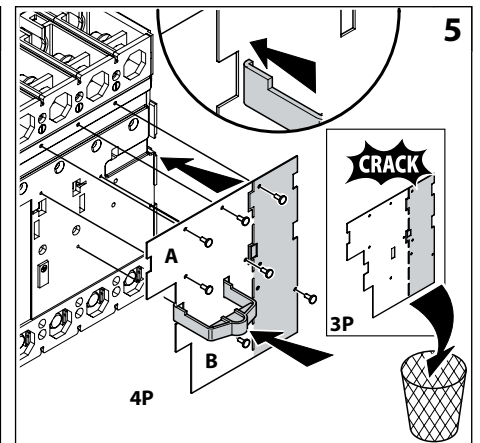
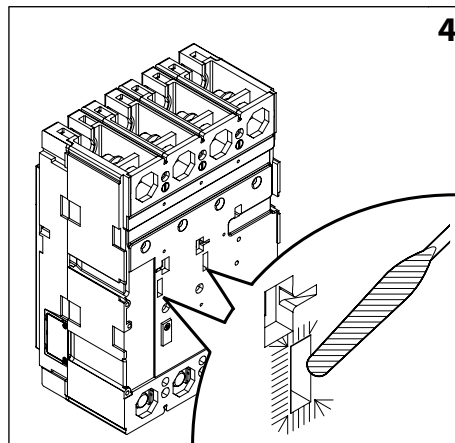
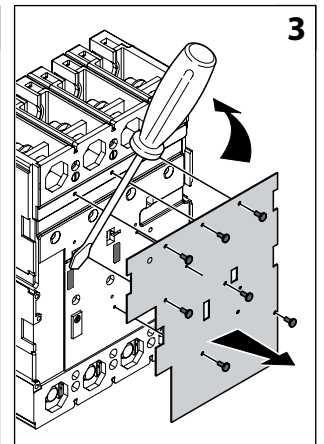
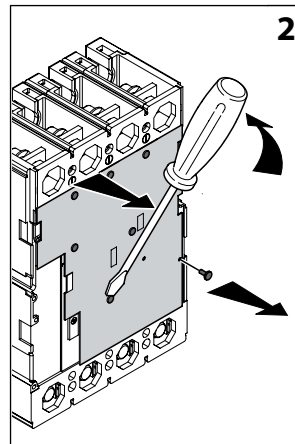
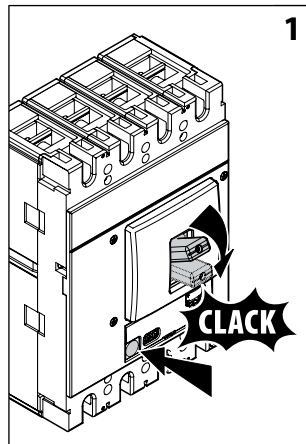


DPX ³ 630 0 264 04	
A	2
B	2
C	1
D	1
E	2
F	2
G	2



4 222 22-27

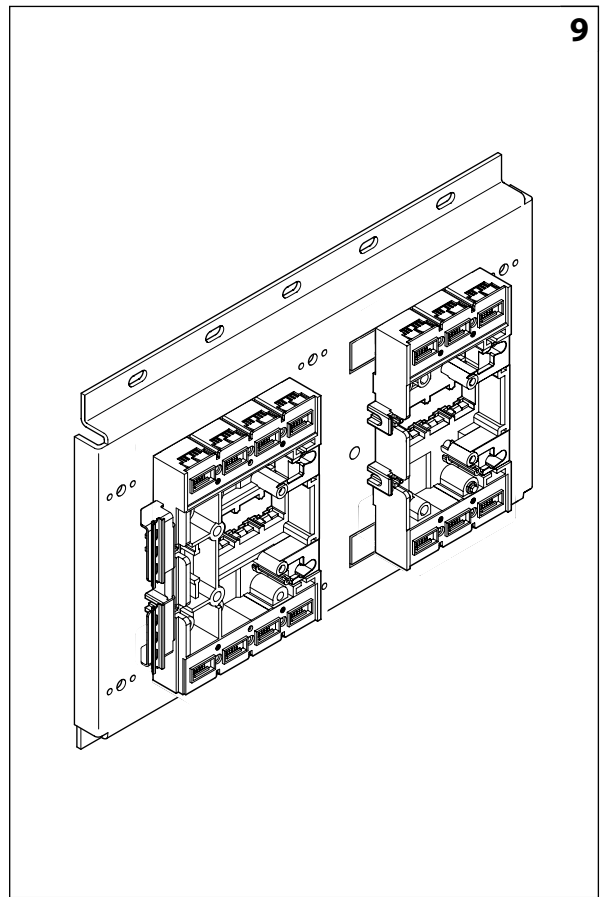
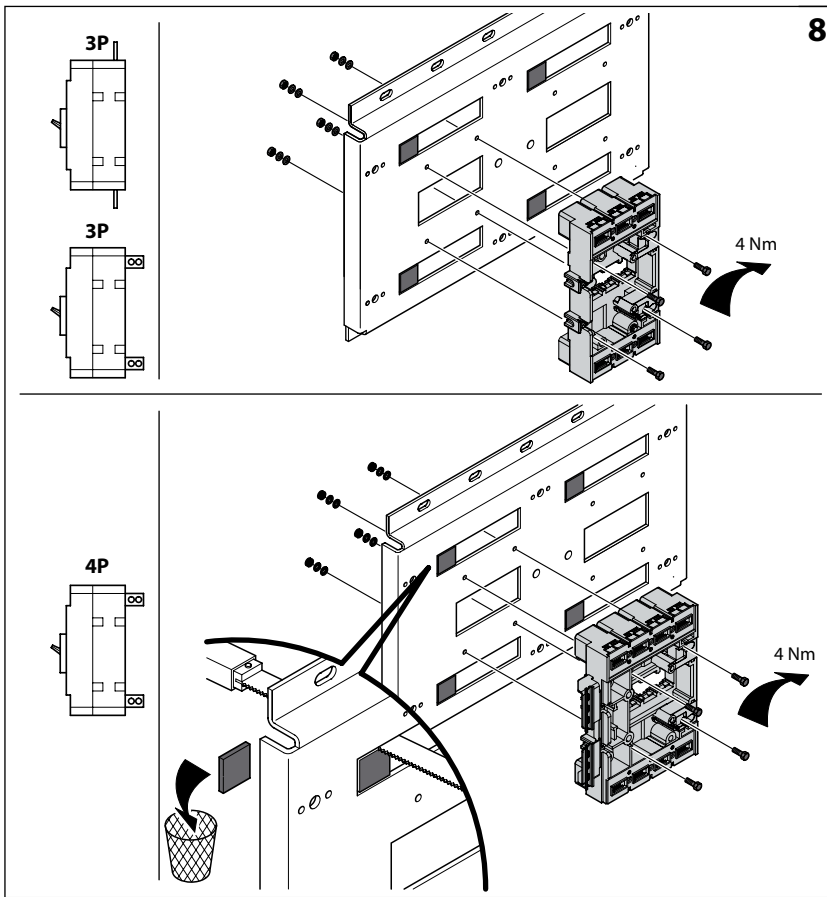
0 263 99

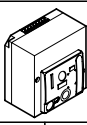
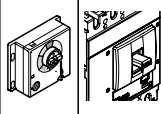
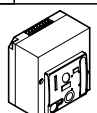
0 098 19

OK

3 Nm

0 Nm



				X mm	
		DPX ³	DISCHARGED	CHARGED	X mm
0 262 41/81/82 4 222 38		(A)	I	-	0
		(B)	O	-	0 ÷ 1 mm
0 261 40/41/42/43 4 226 26 9 802 69		(A)	I	CHARGED	0
		(B)	O	DISCHARGED	0 ÷ 1 mm