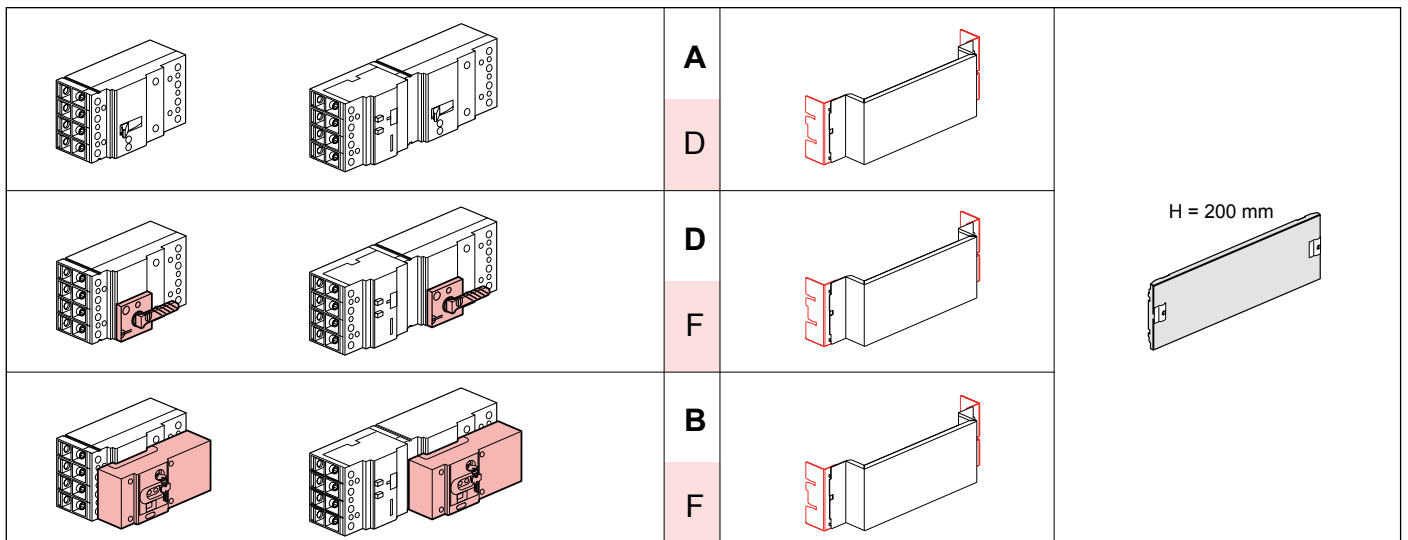
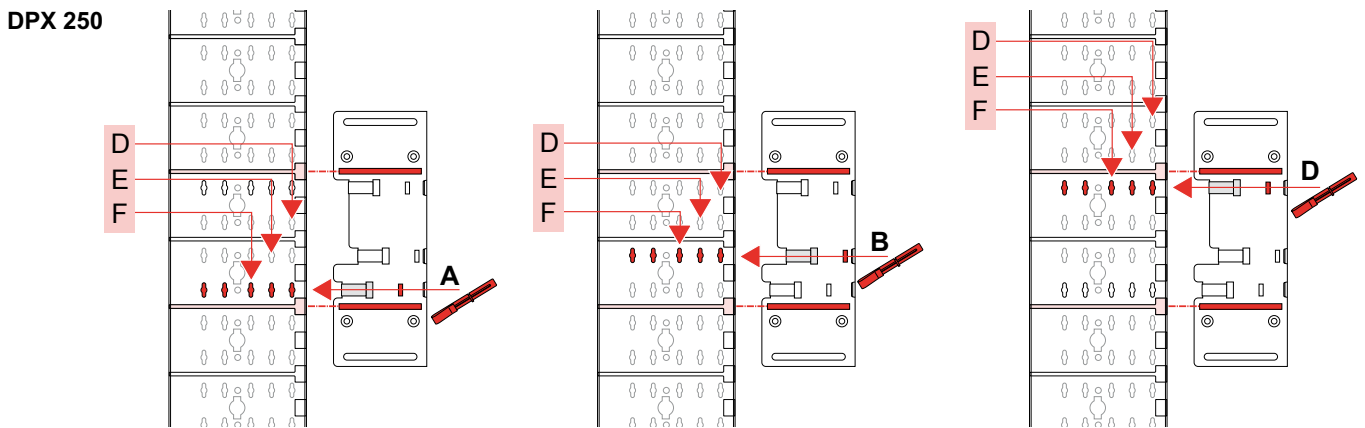
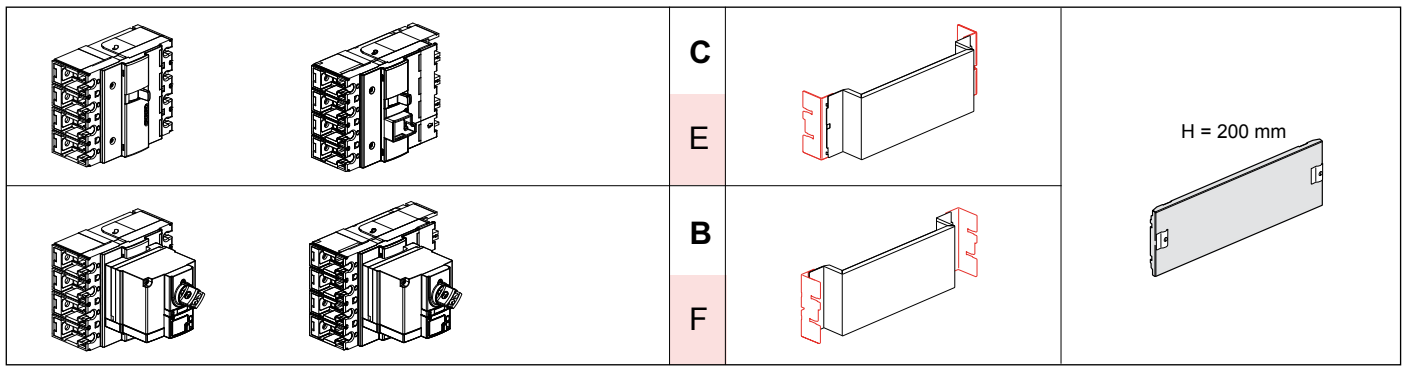
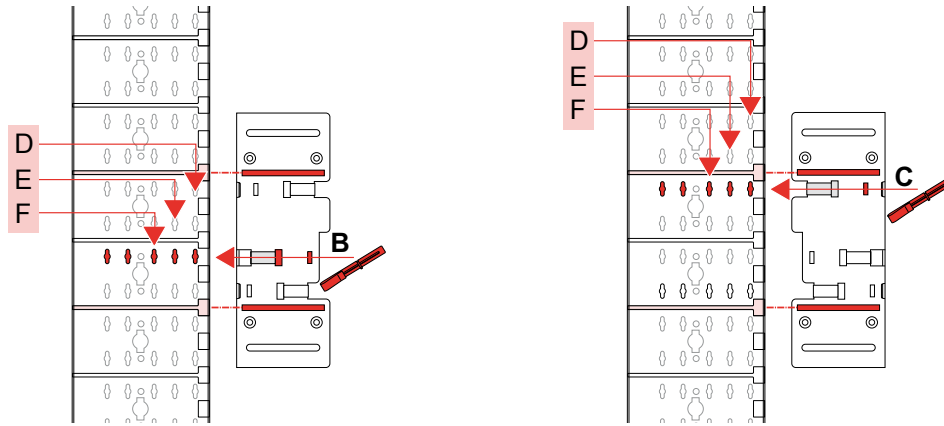
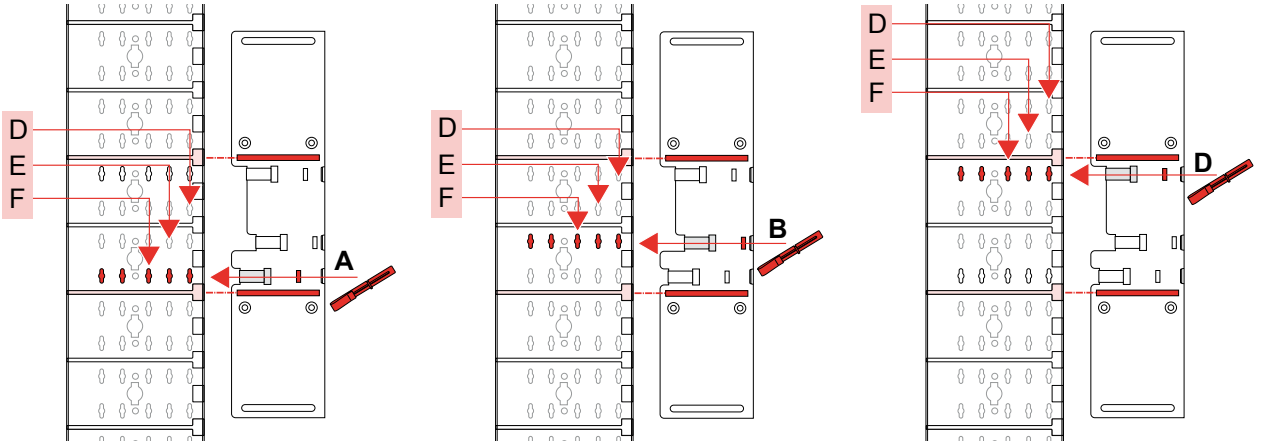


DPX<sup>3</sup> 160  
DPX<sup>3</sup> 250

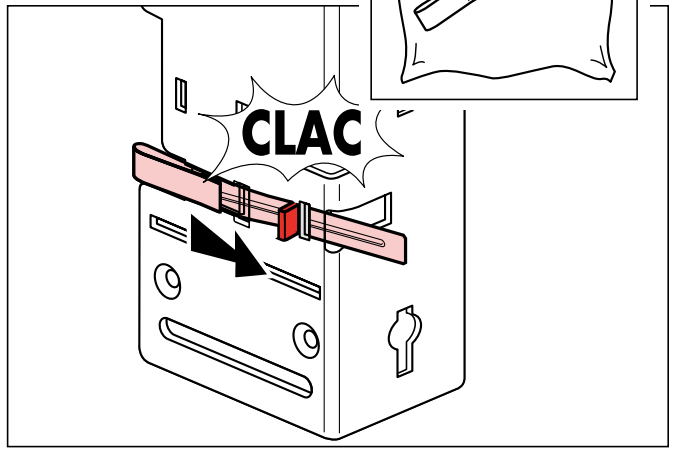
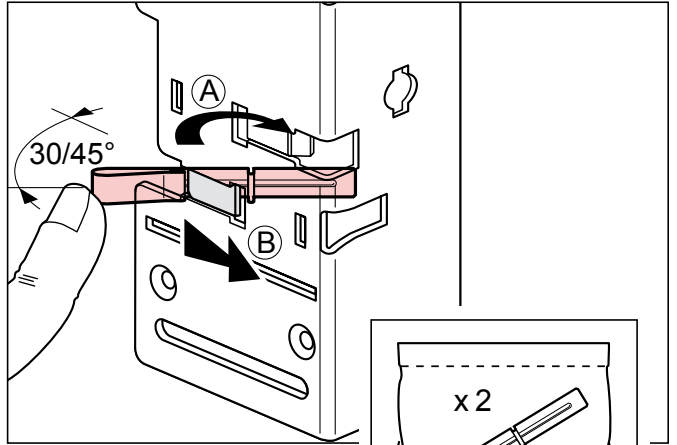
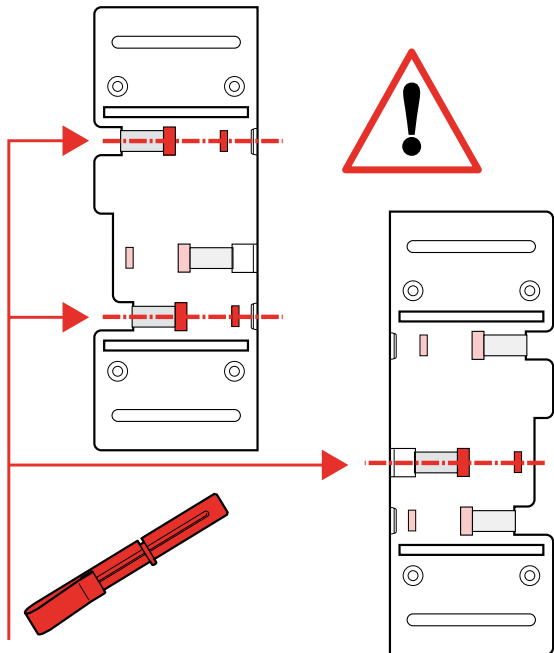
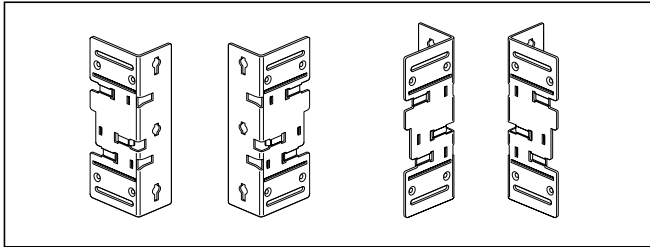


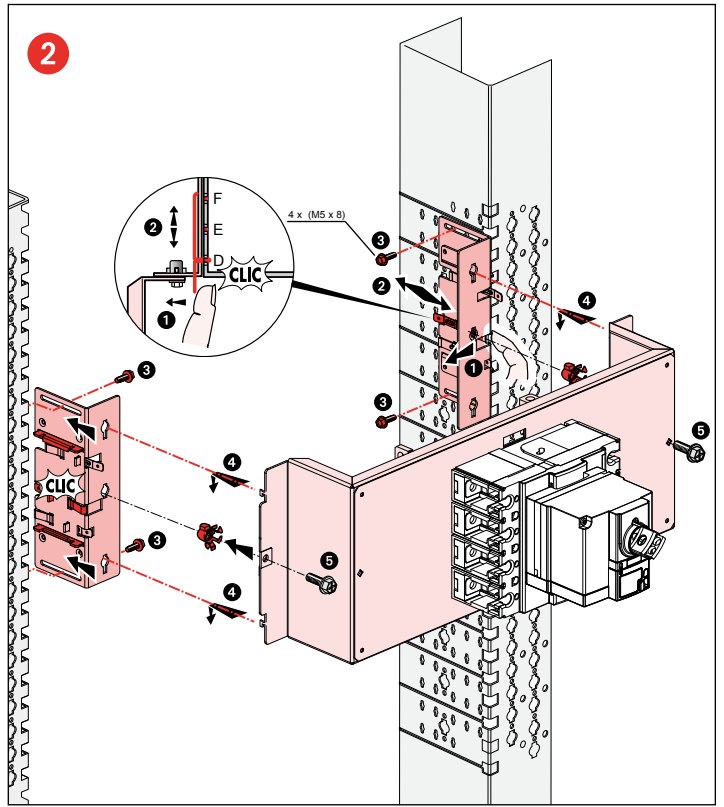
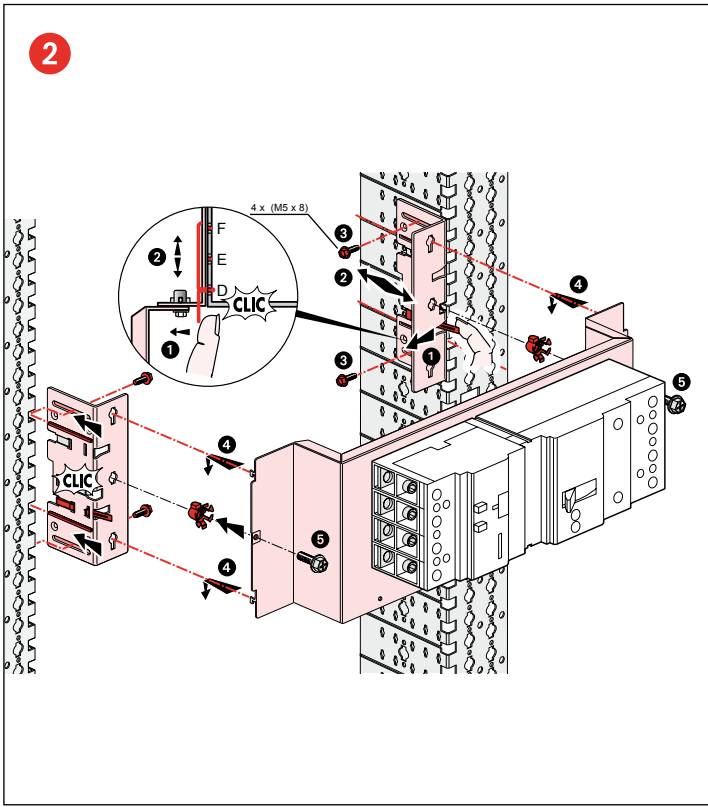
DPX 630



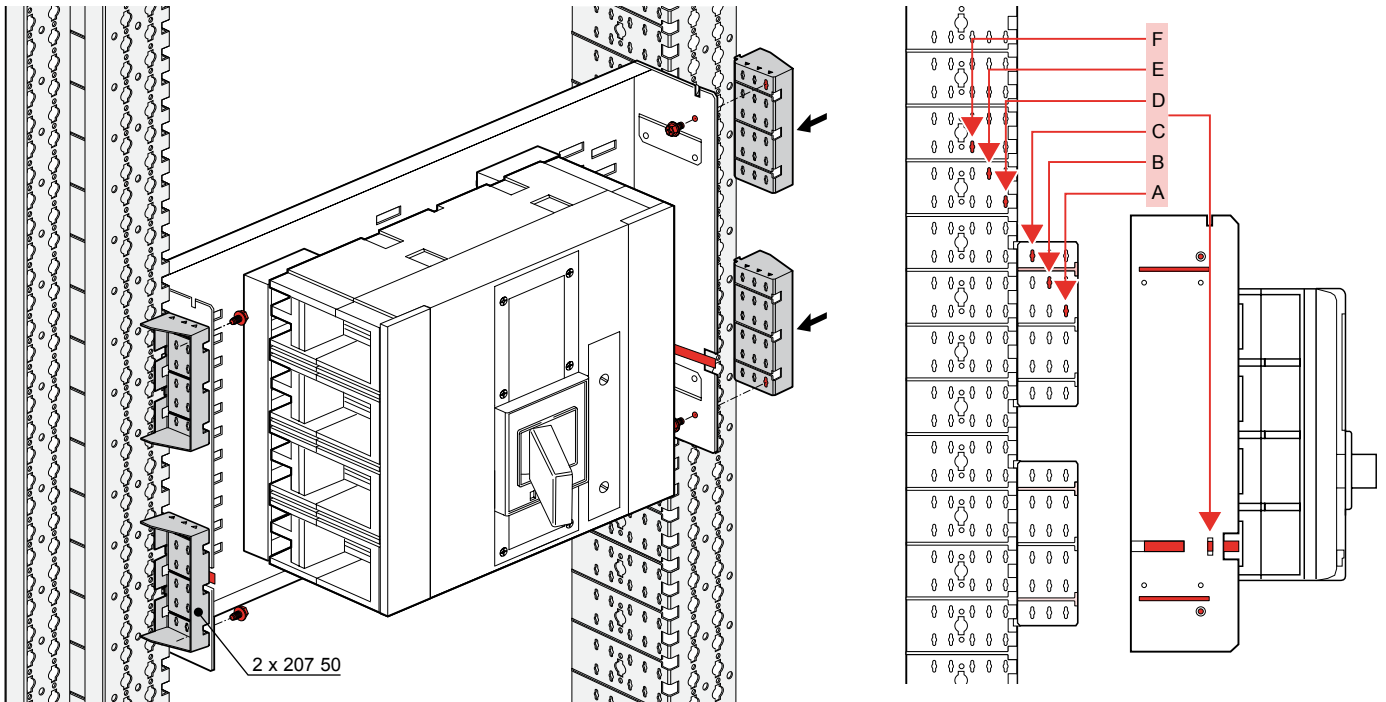
		<b>A</b>		
		<b>D</b>		
		<b>F</b>		
		<b>B</b>		
		<b>F</b>		

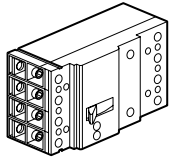
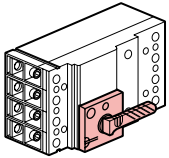
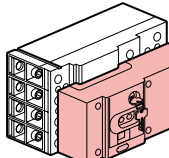
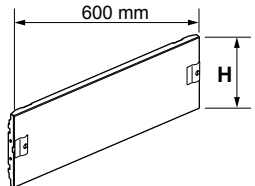
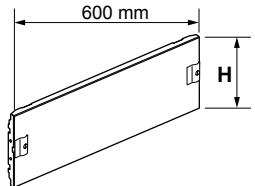
1





DPX 1600



				
<p>DPX 1600</p>	<p>B</p>	<p>B</p>	<p>E</p>	<p>400 mm</p>