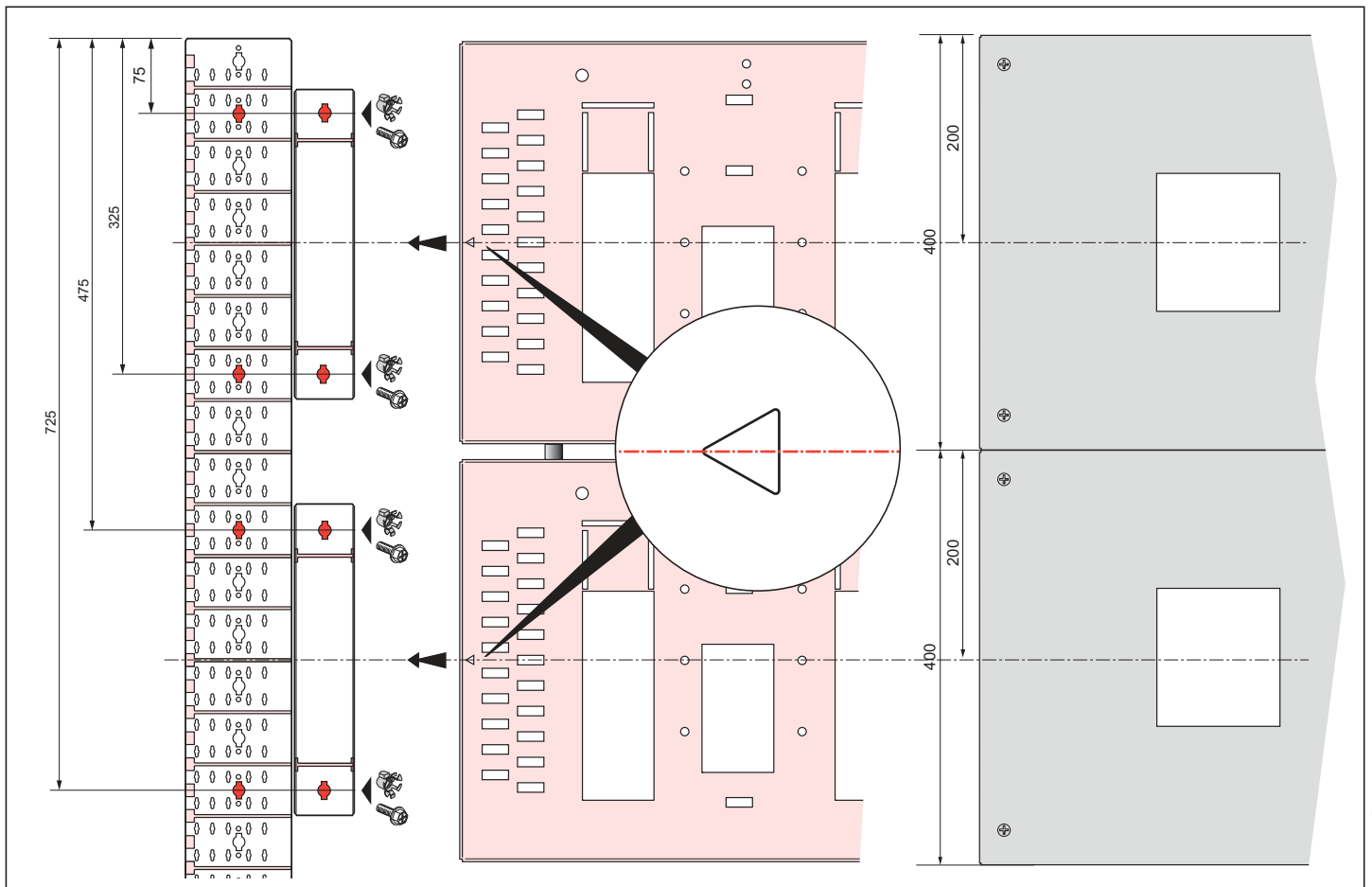
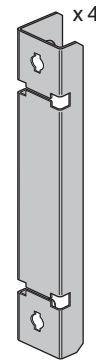
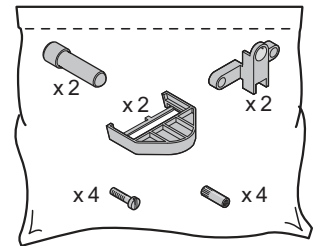
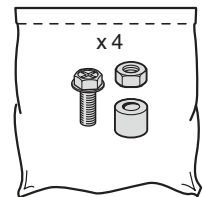
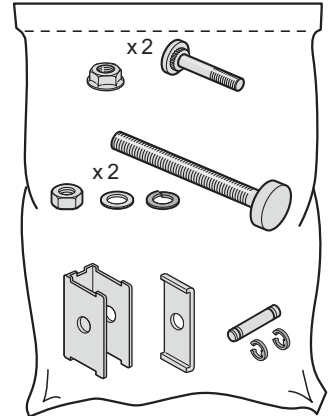
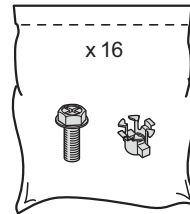
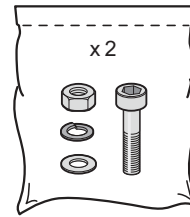
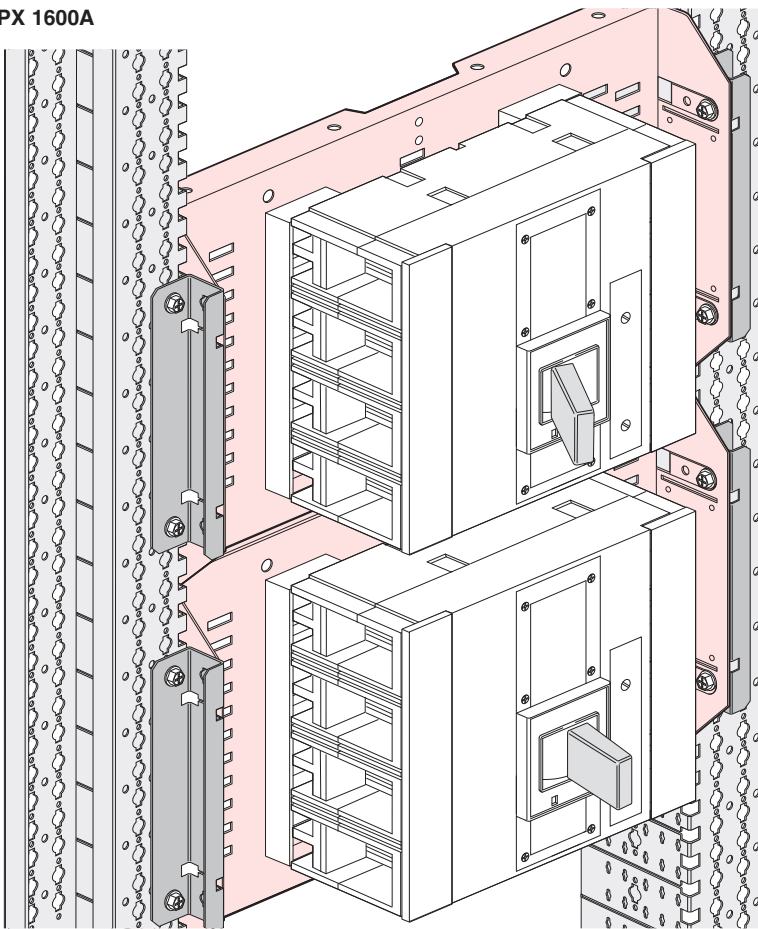
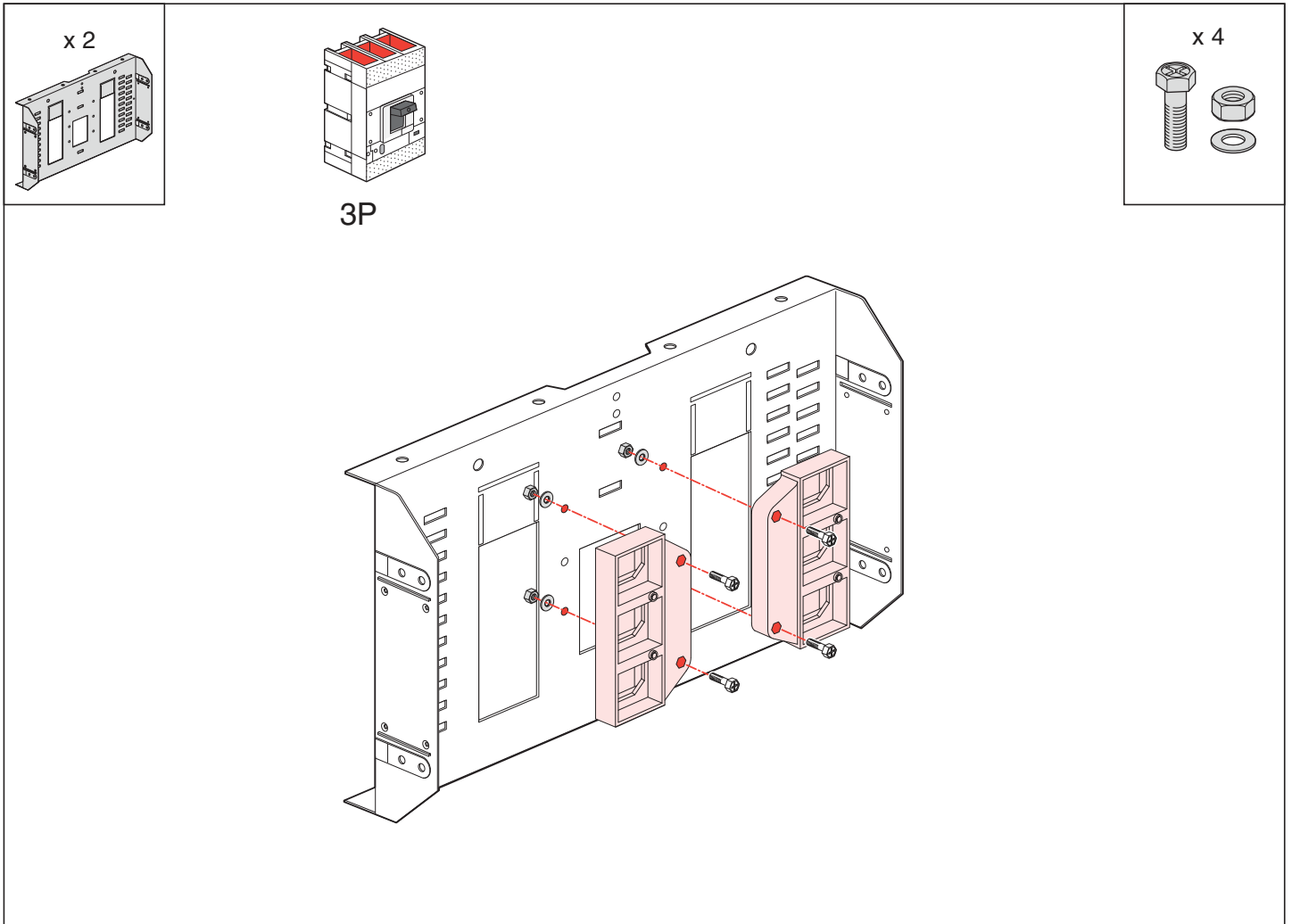
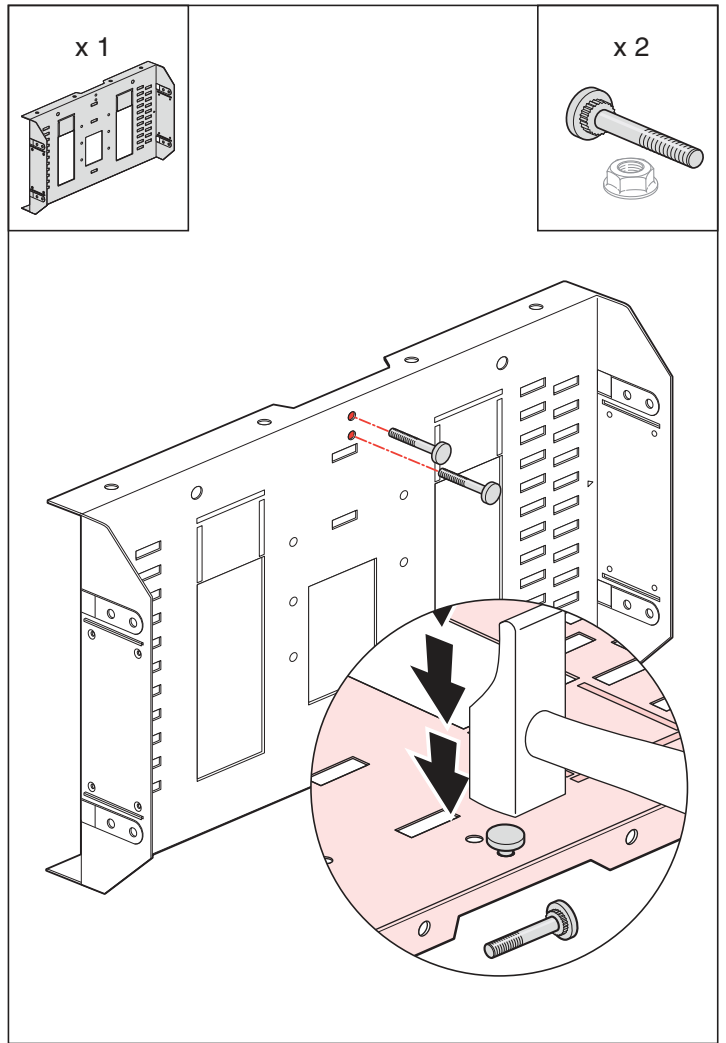
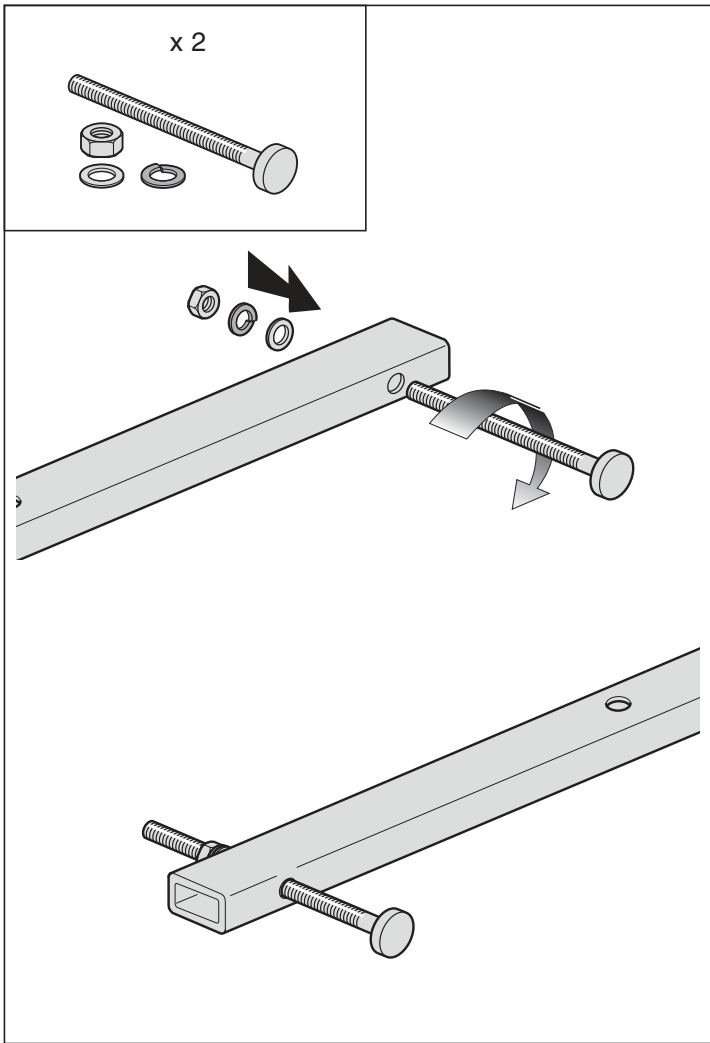
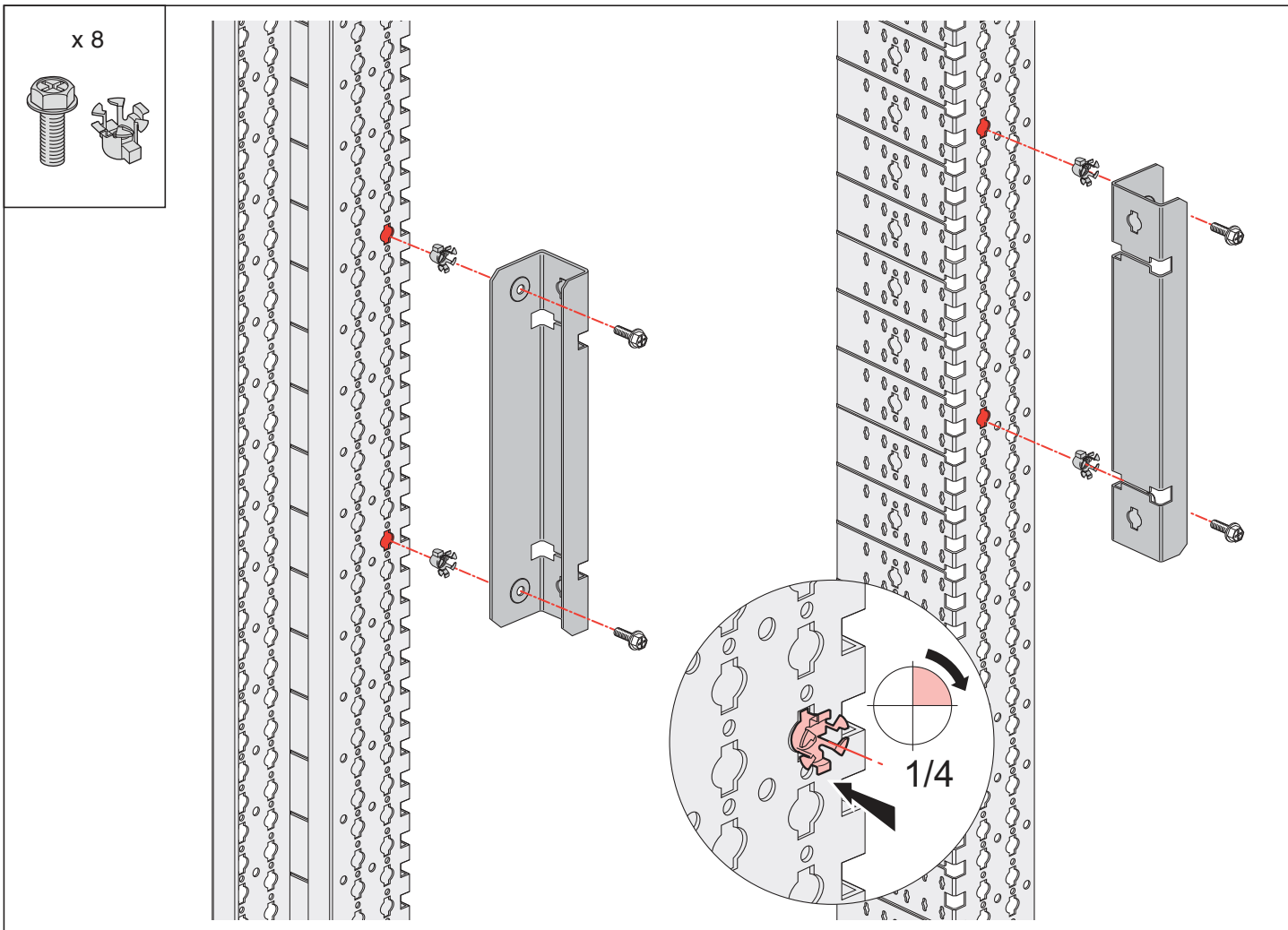
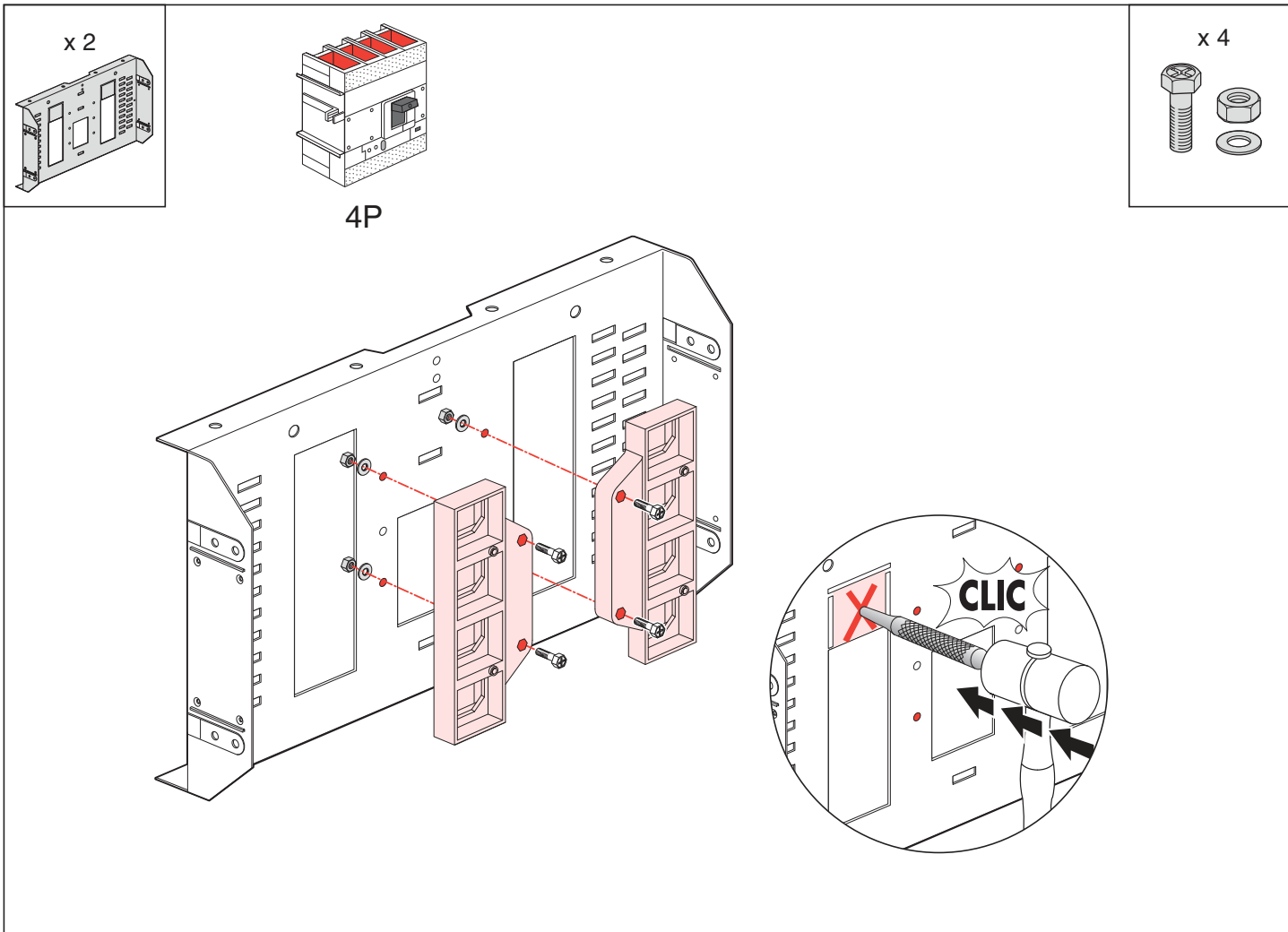
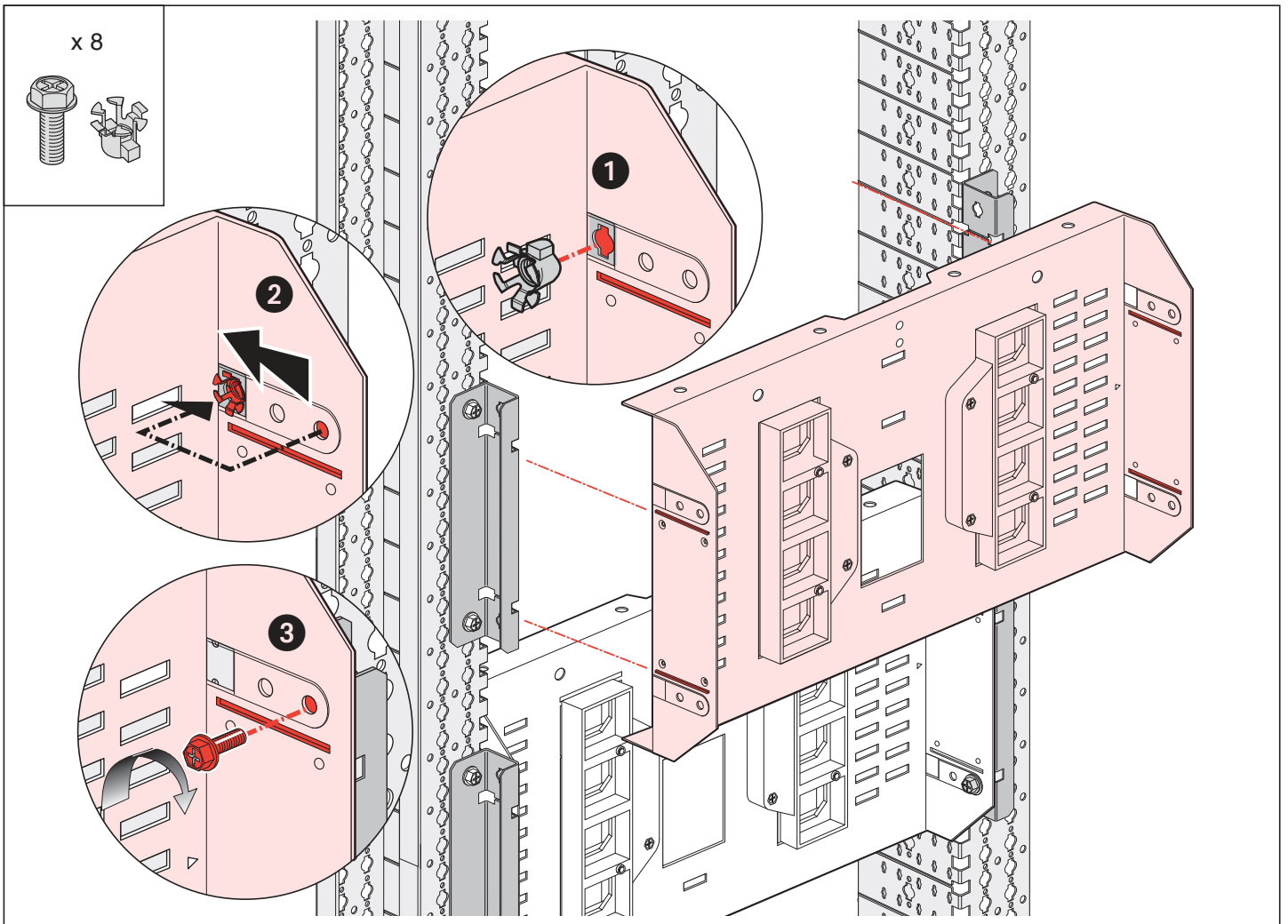
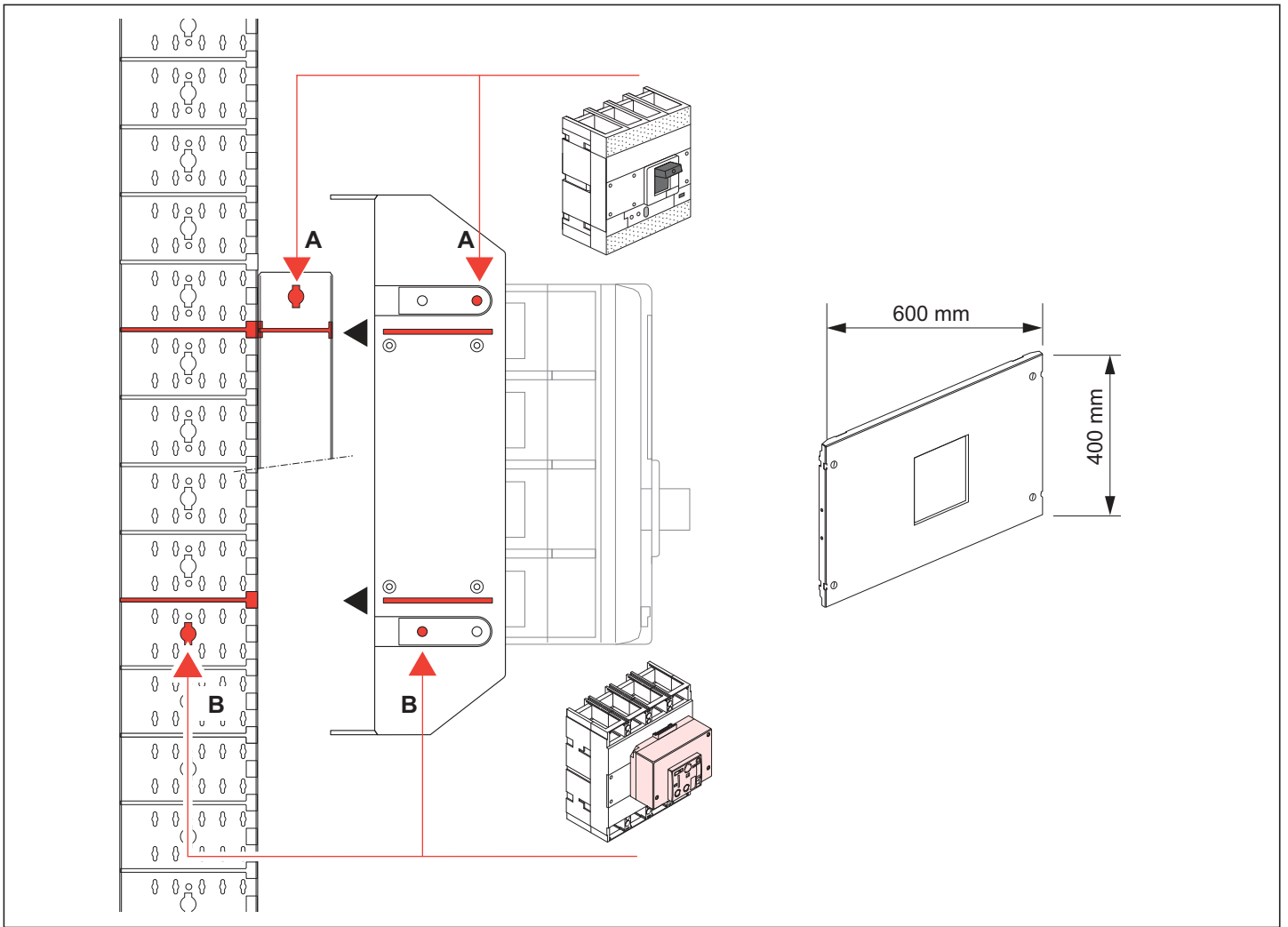


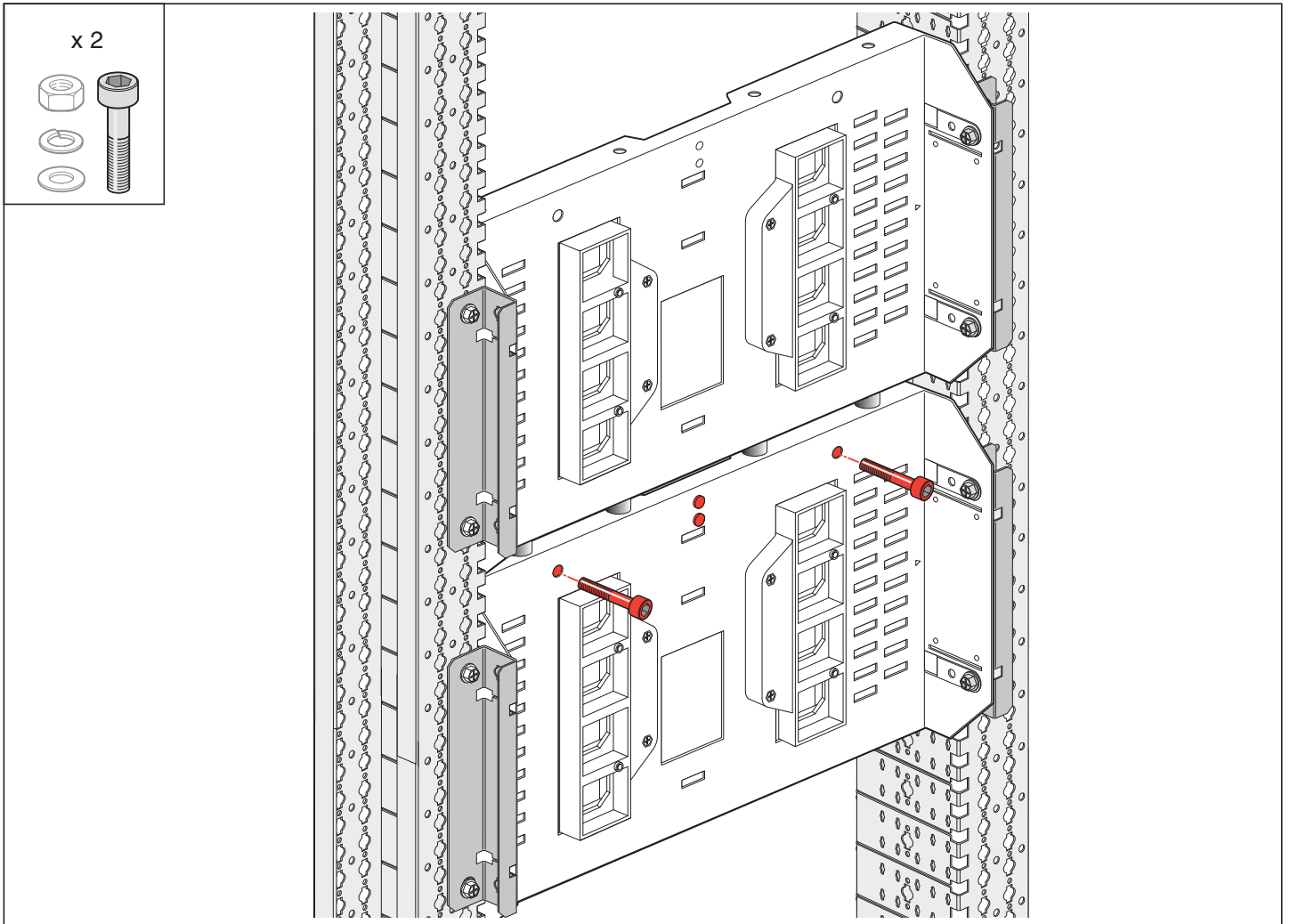
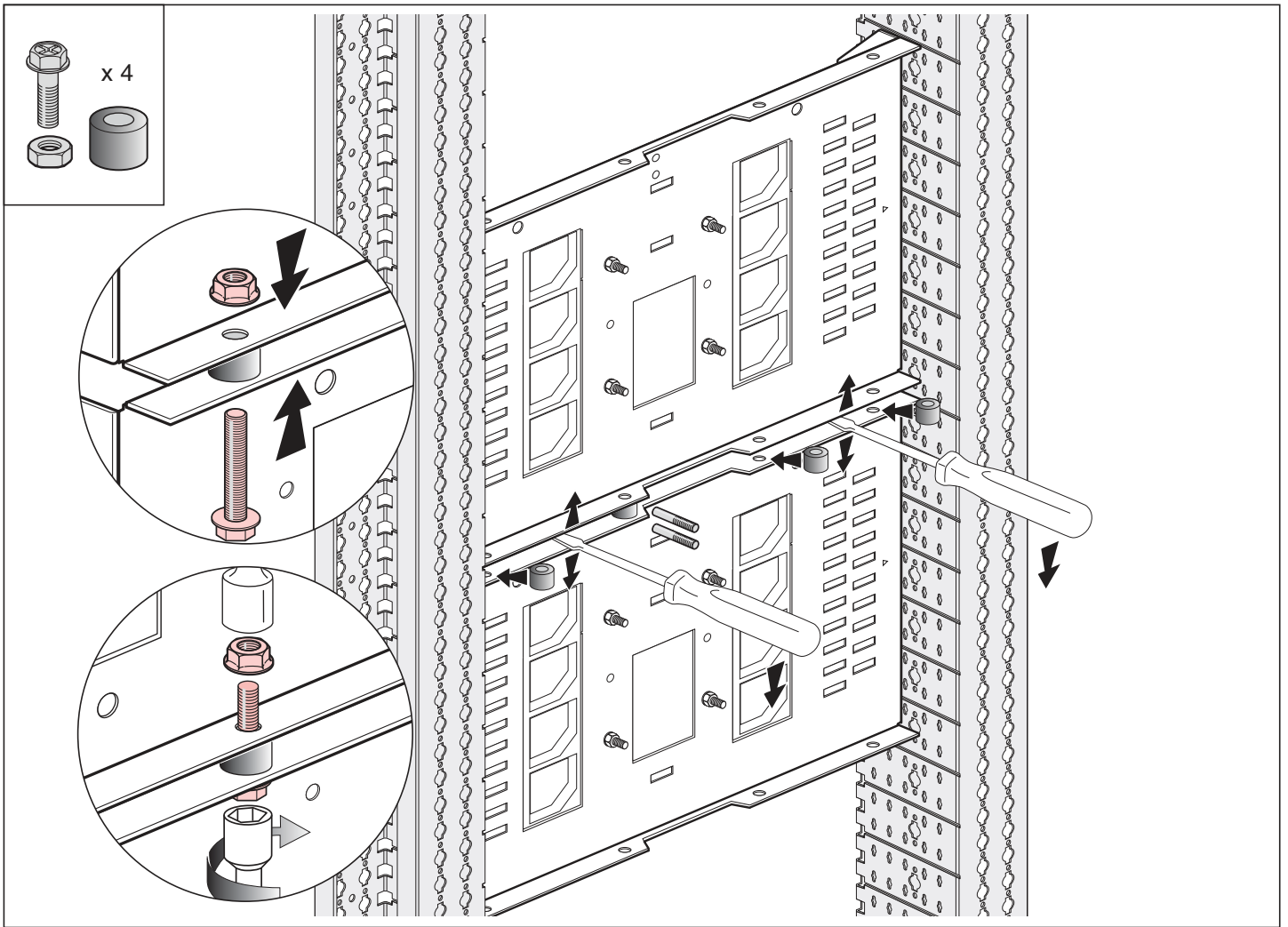
DPX 1600A

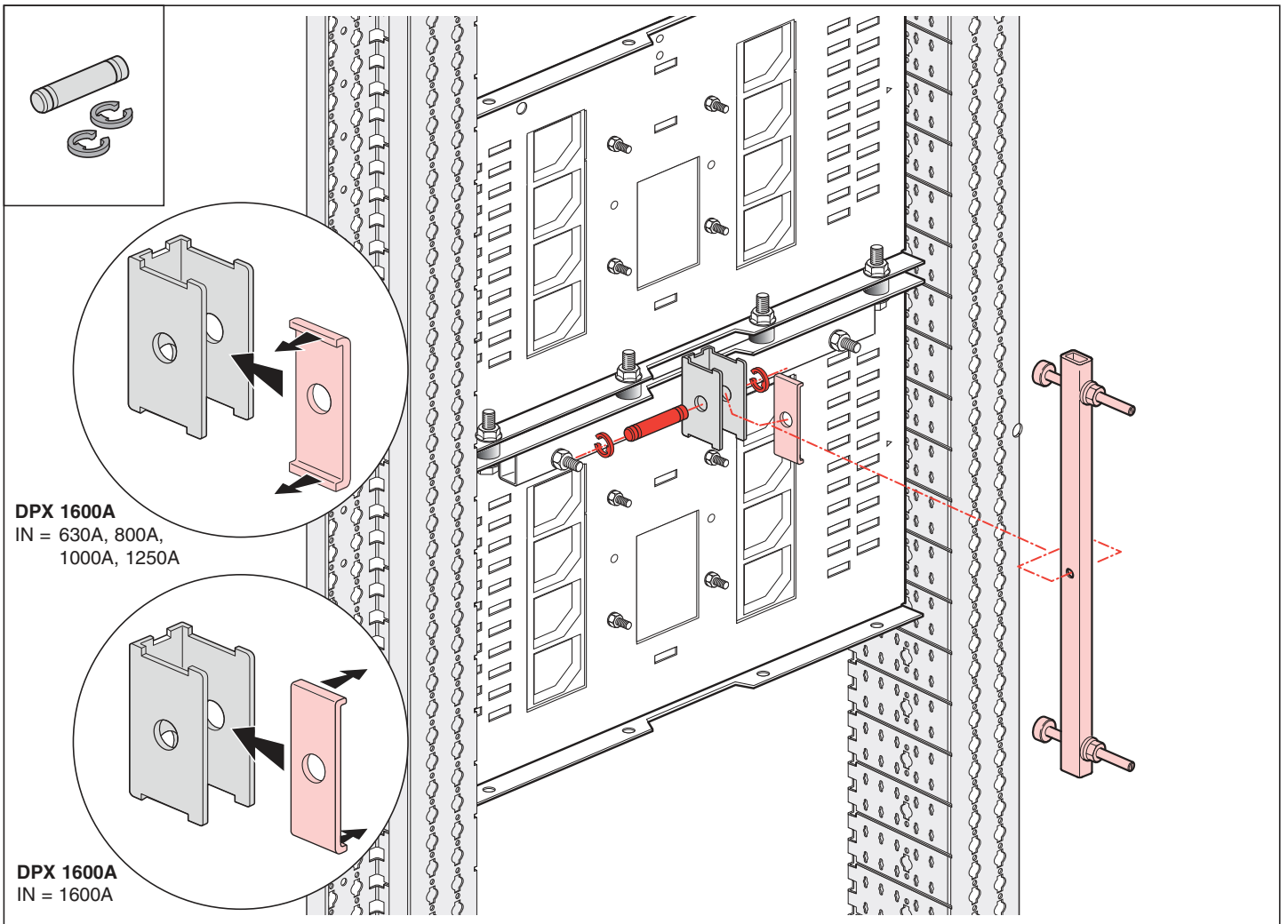
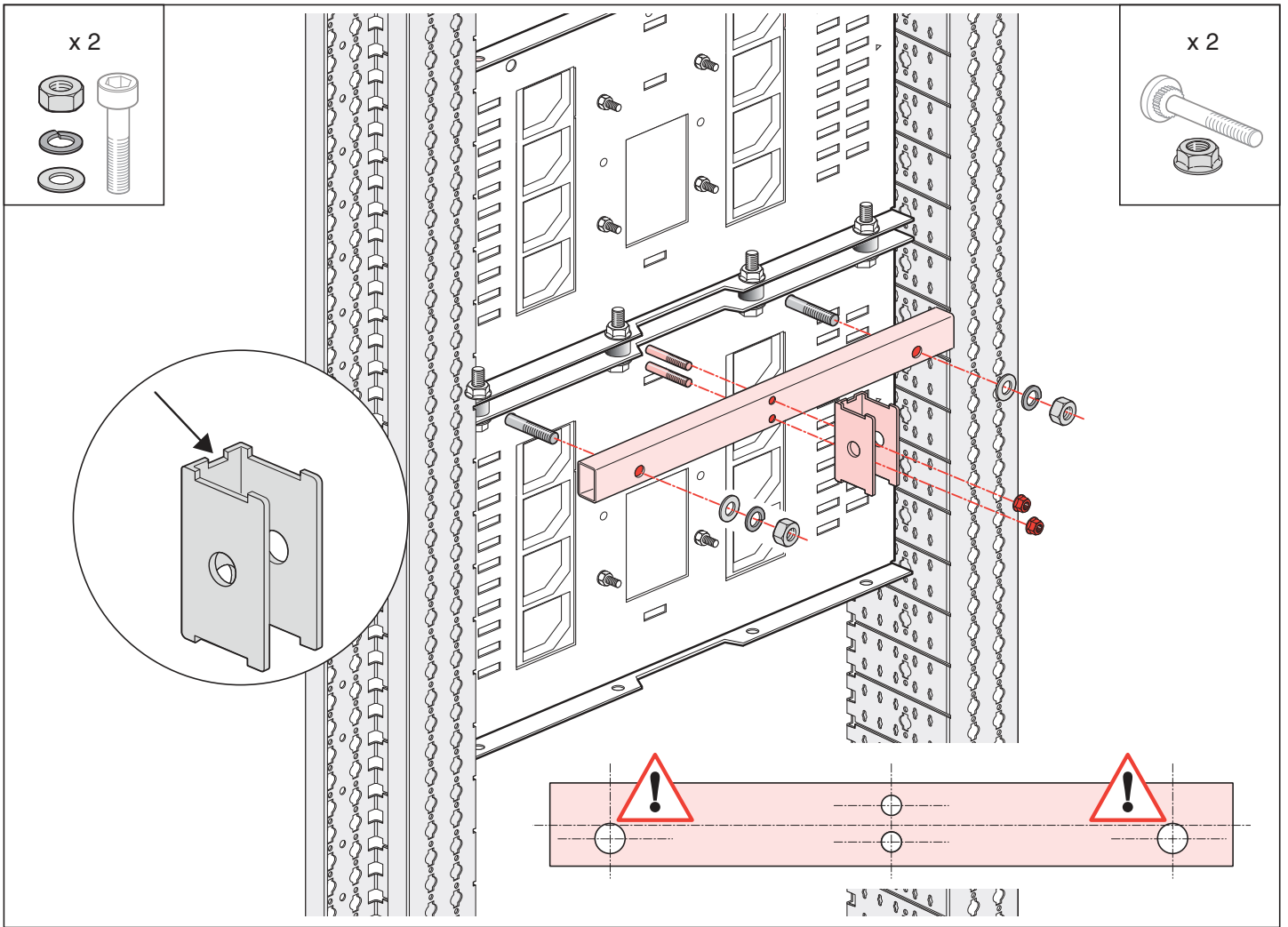






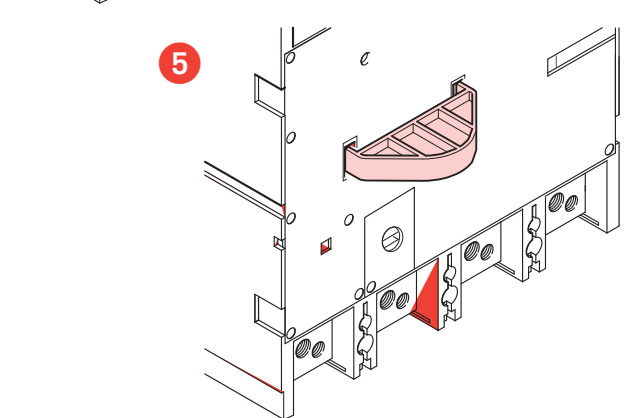
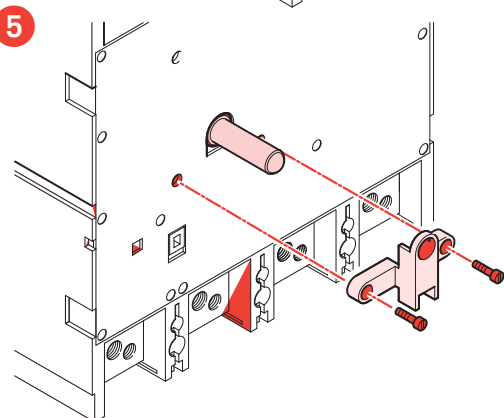
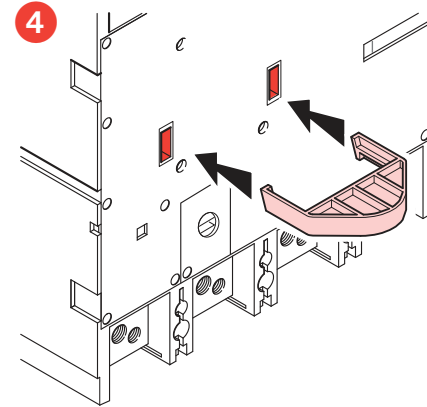
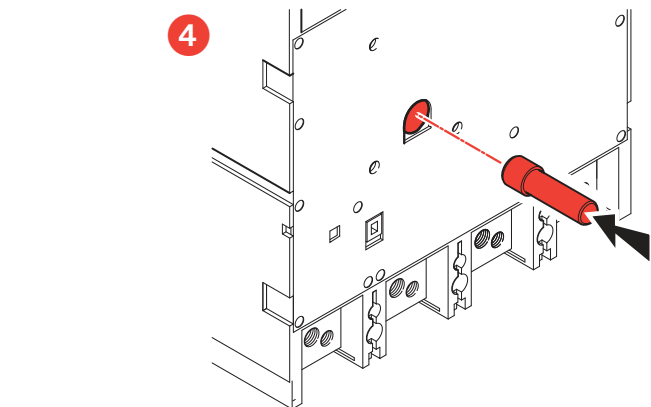
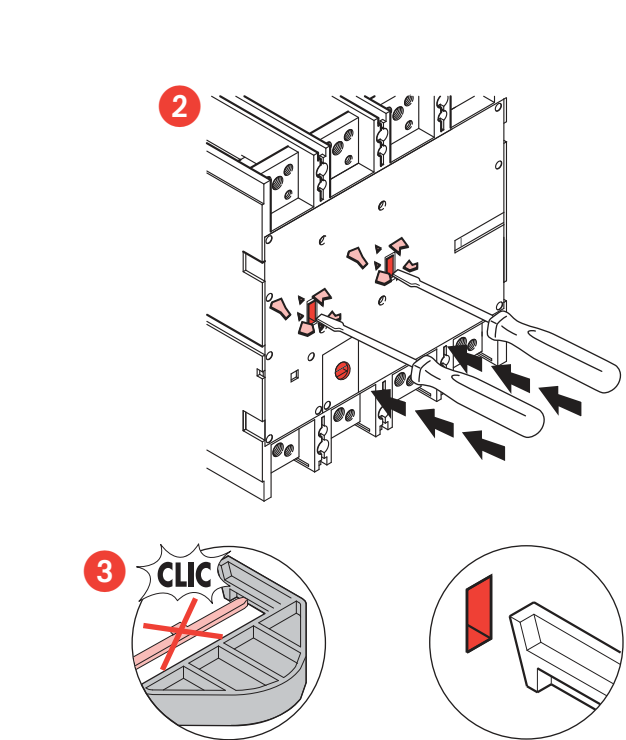
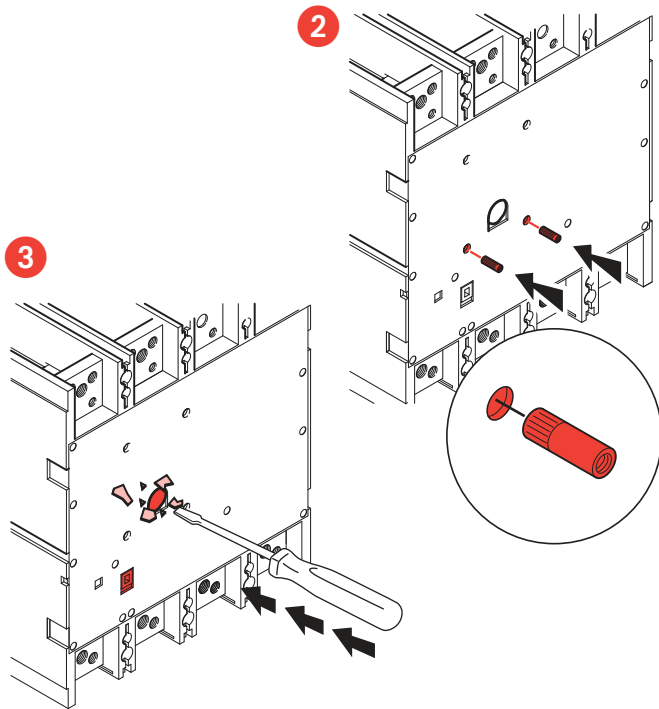
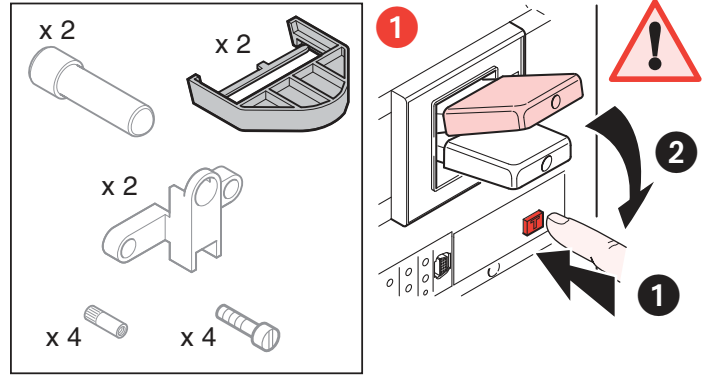
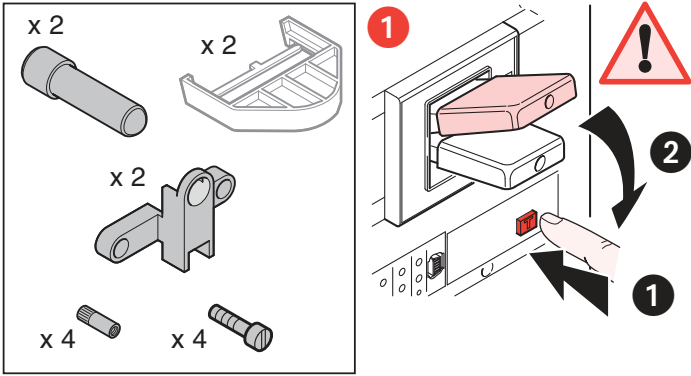




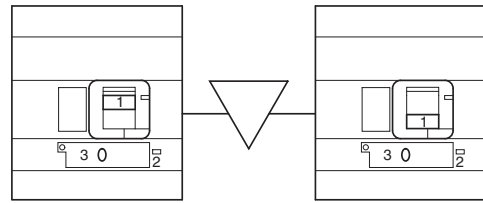
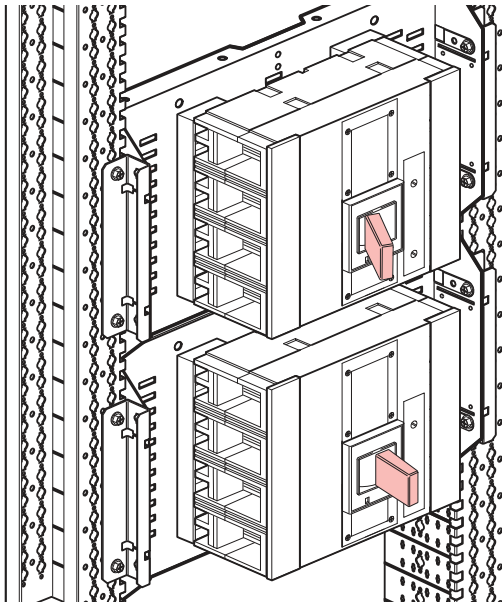


**DPX 1600A**  
IN = 1600A

**DPX 1600A**  
IN = 630A, 800A,  
1000A, 1250A



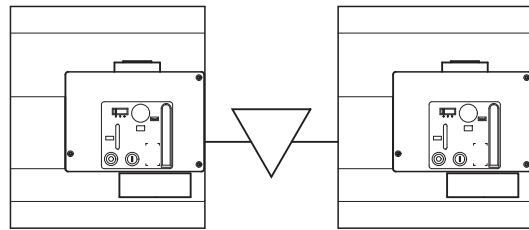
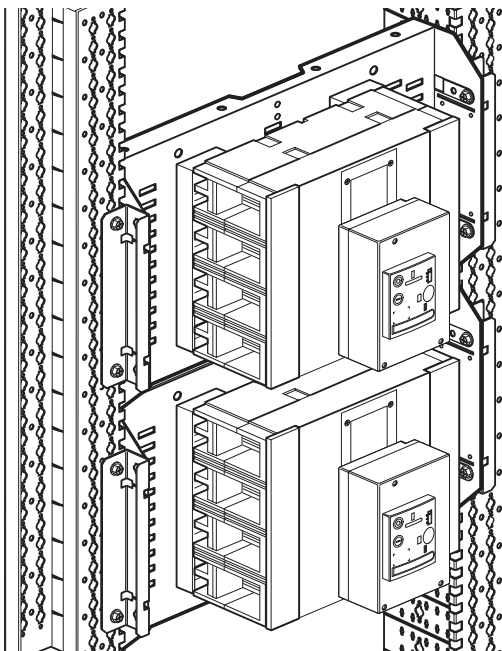
DPX 1600A



ROSSO  
RED = fermé  
= closed  
chiusi

VERDE  
GREEN = ouvert  
= open  
aperti

DPX 1600A



ROSSO  
RED = fermé  
= closed  
chiusi

VERDE  
GREEN = ouvert  
= open  
aperti

ressort chargé  
springs unloaded  
molle scariche

ressort déchargé  
springs loaded  
molle cariche

