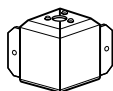
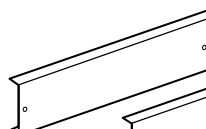


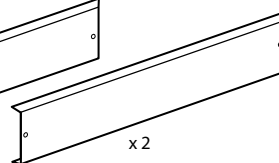
0 205 11/14/15/17/18/19



x 4



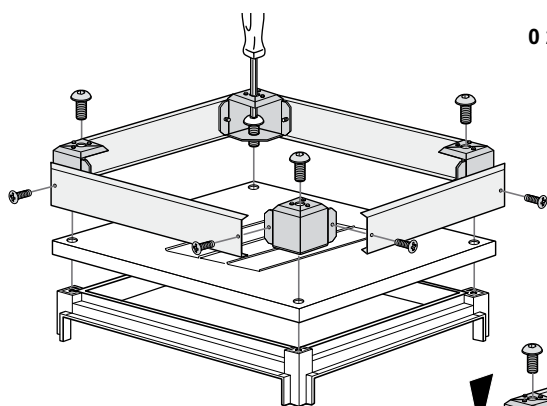
x 2



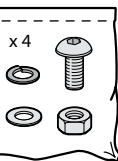
x 2



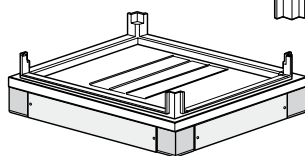
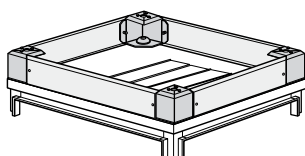
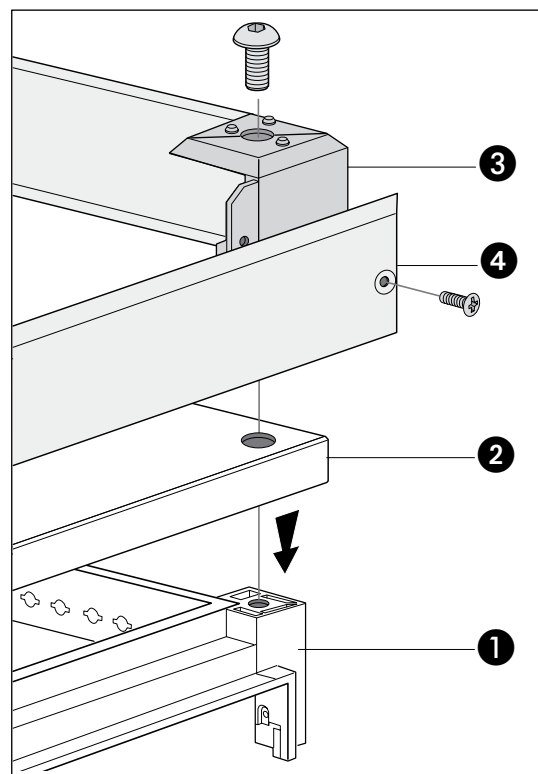
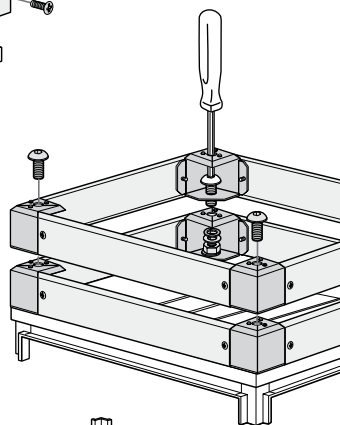
x 8

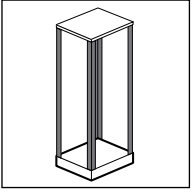


0 205 10

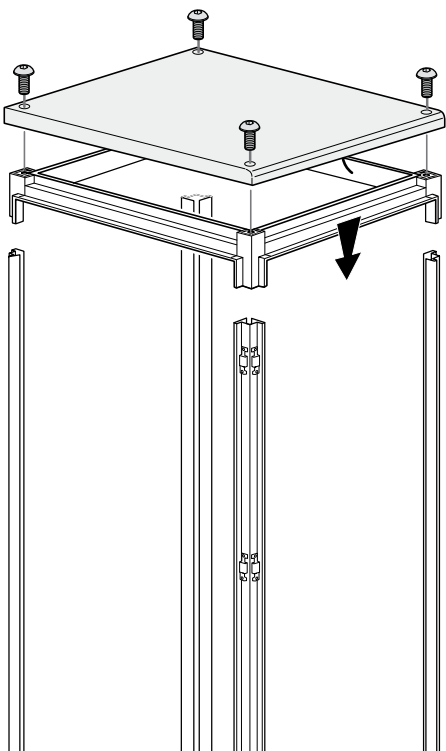
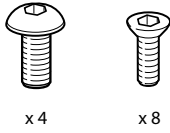
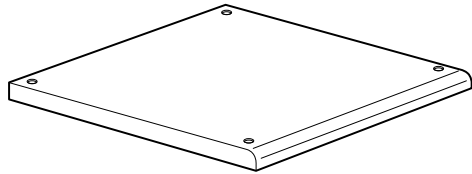
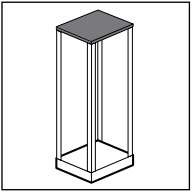
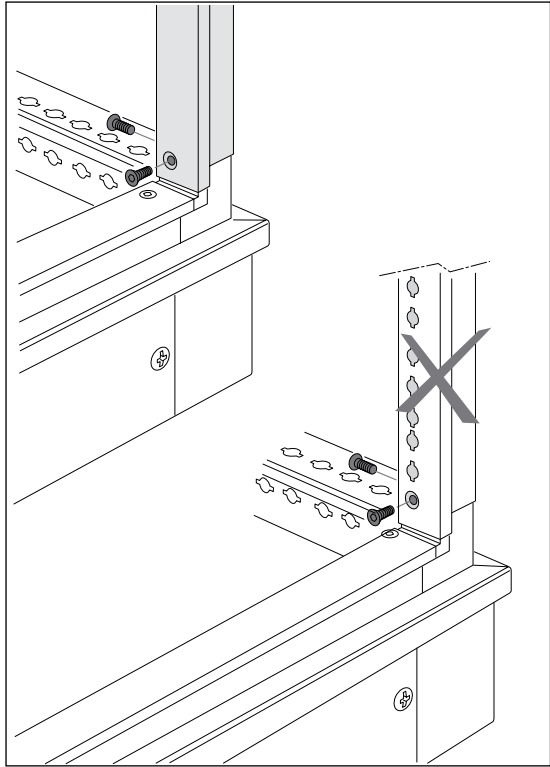
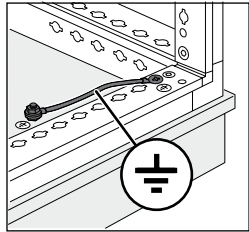
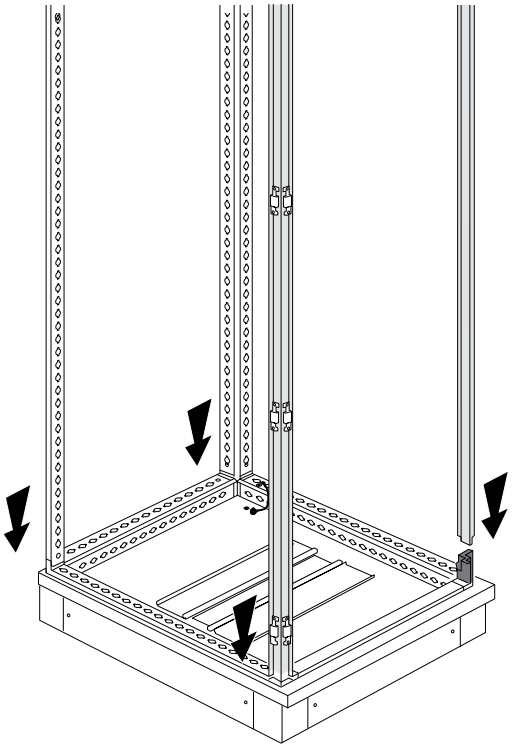
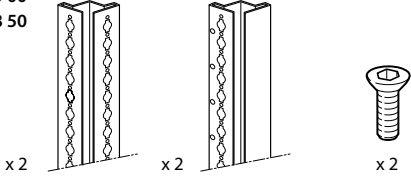


x 4

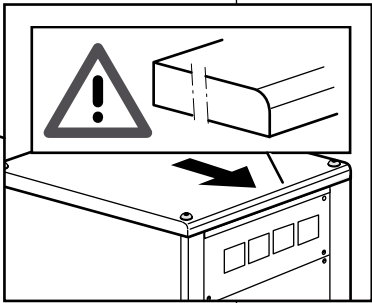




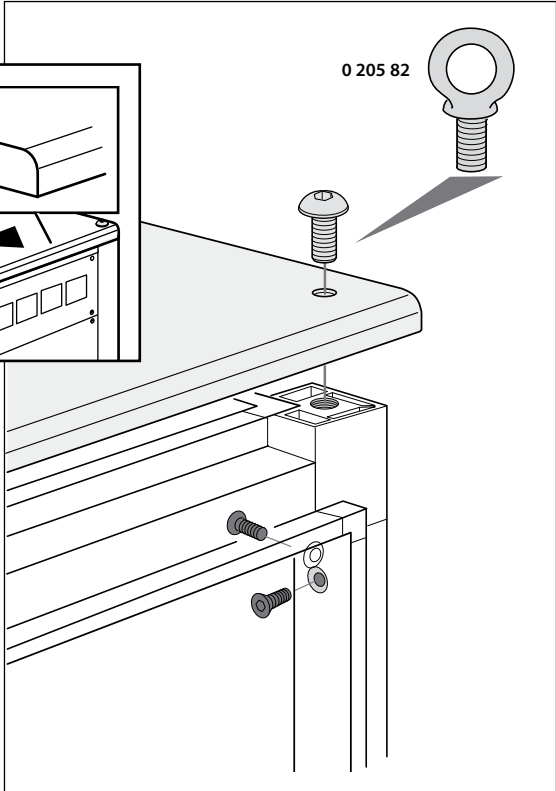
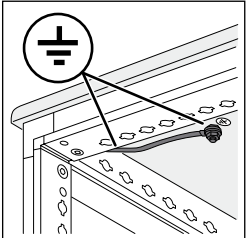
0 205 00  
0 208 50

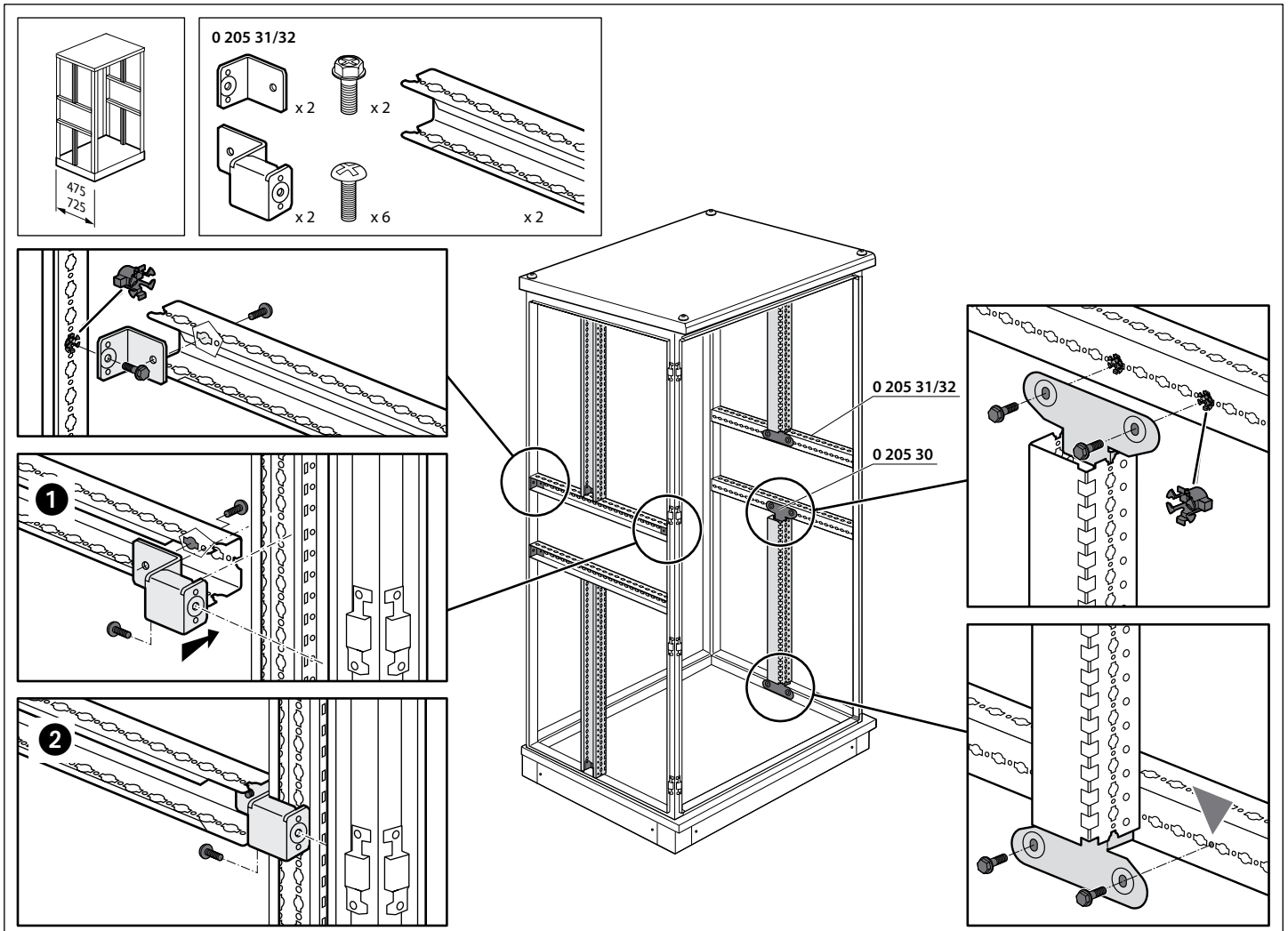
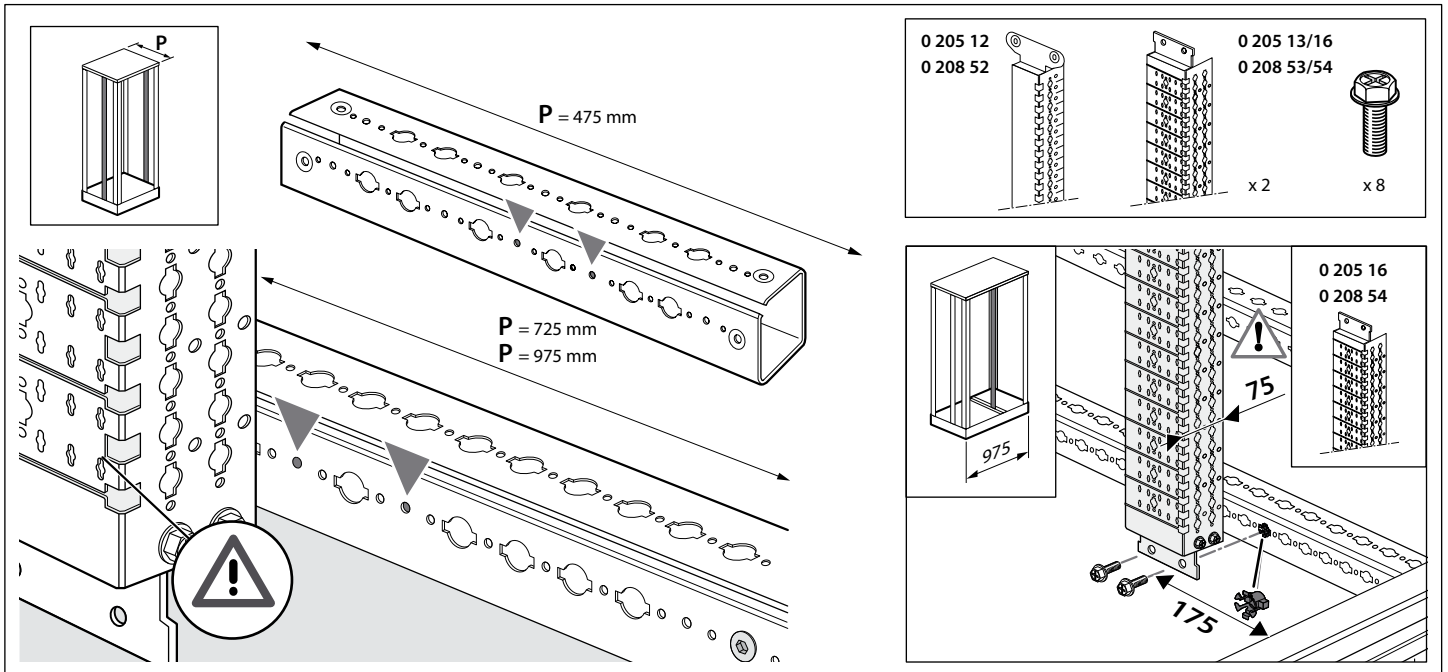
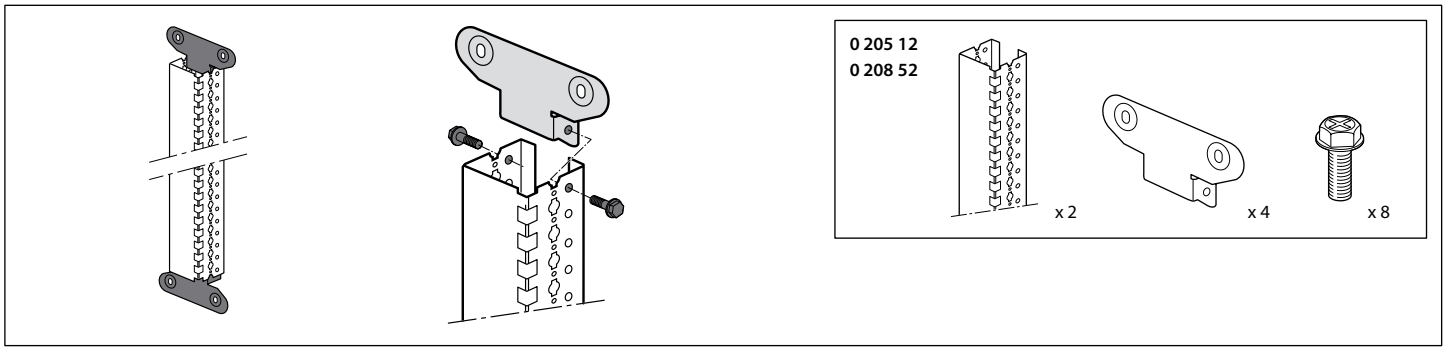


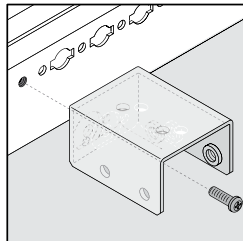
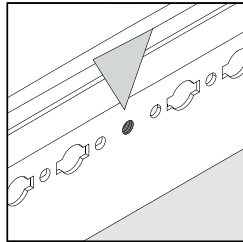
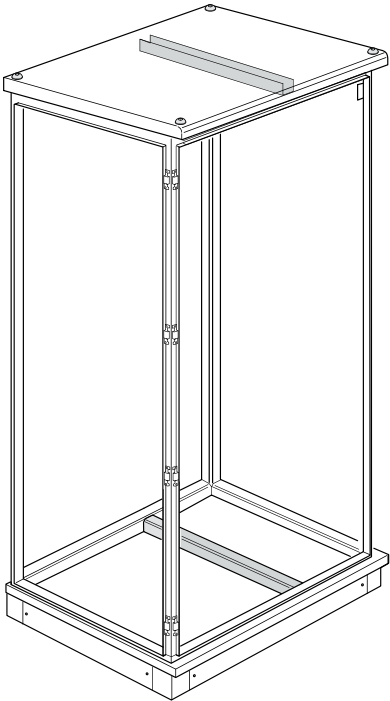
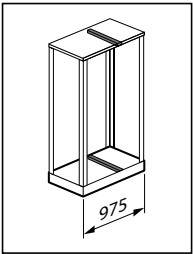
2  
1



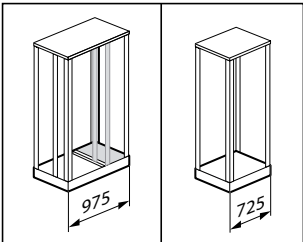
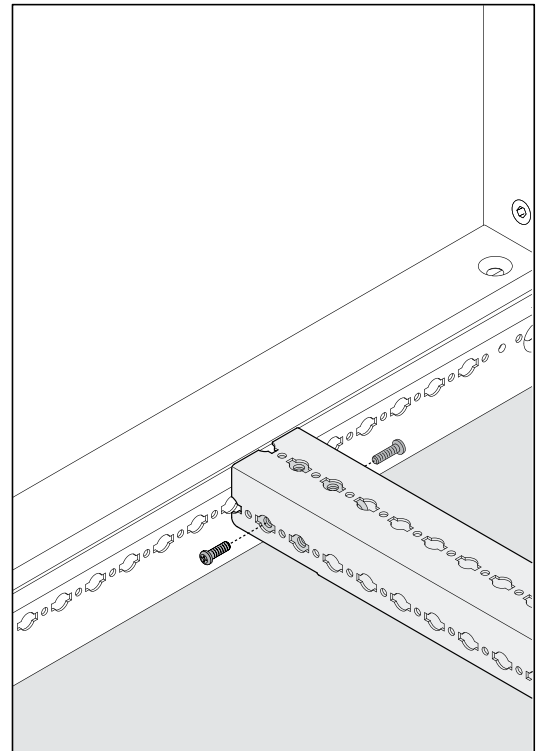
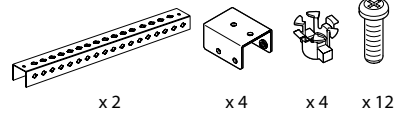
0 205 82



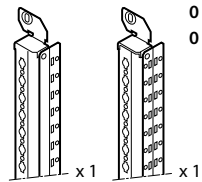
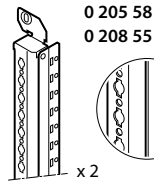
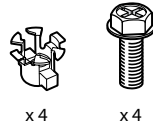




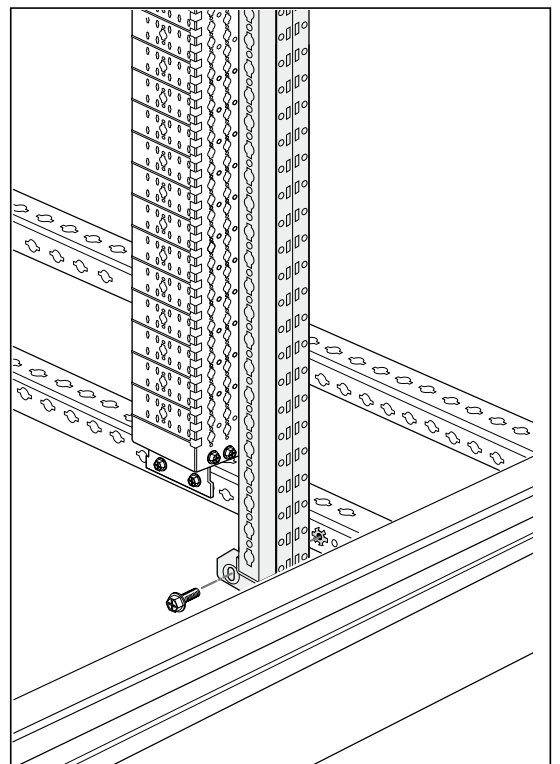
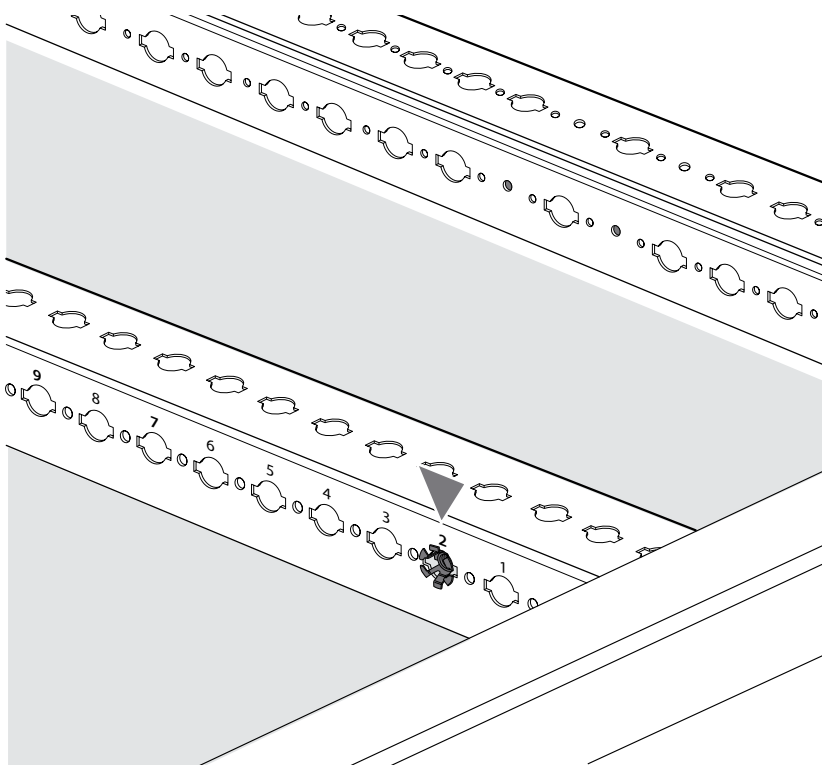
0 205 21/22/23

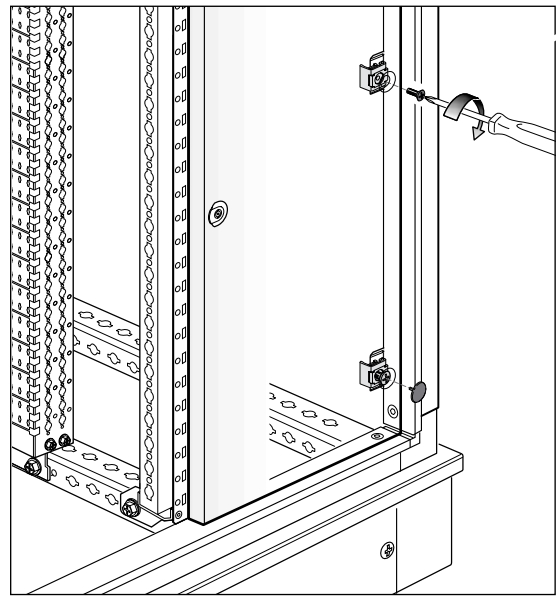
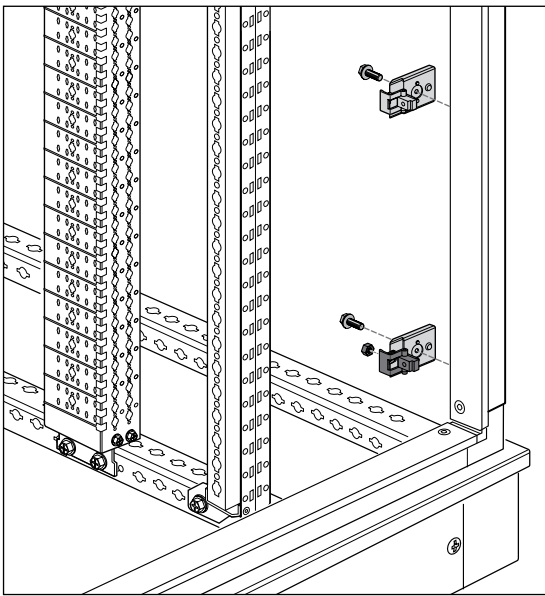
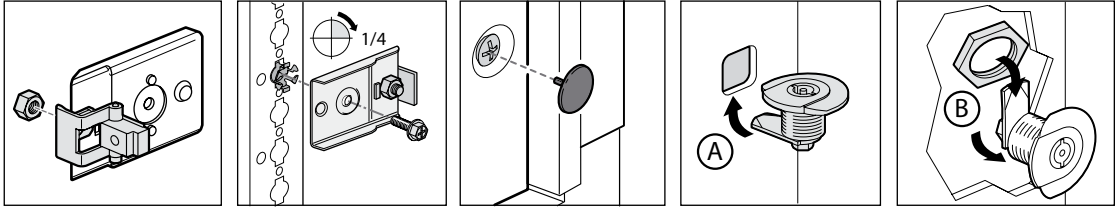
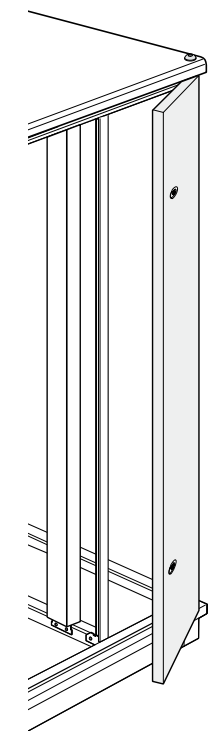
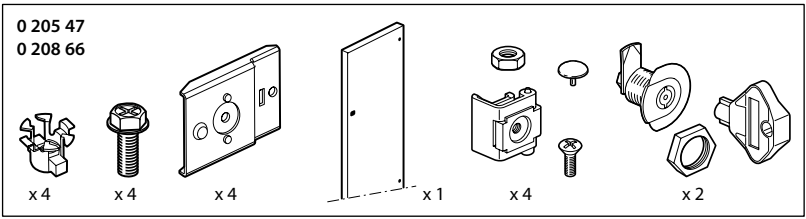
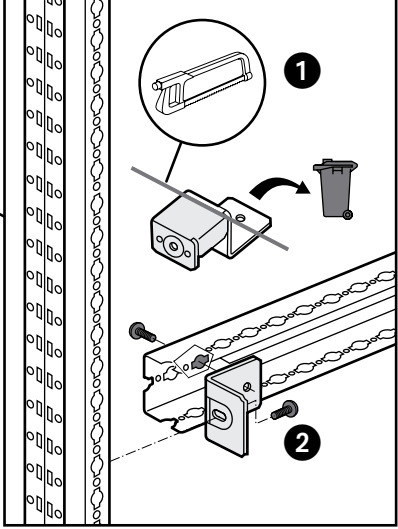
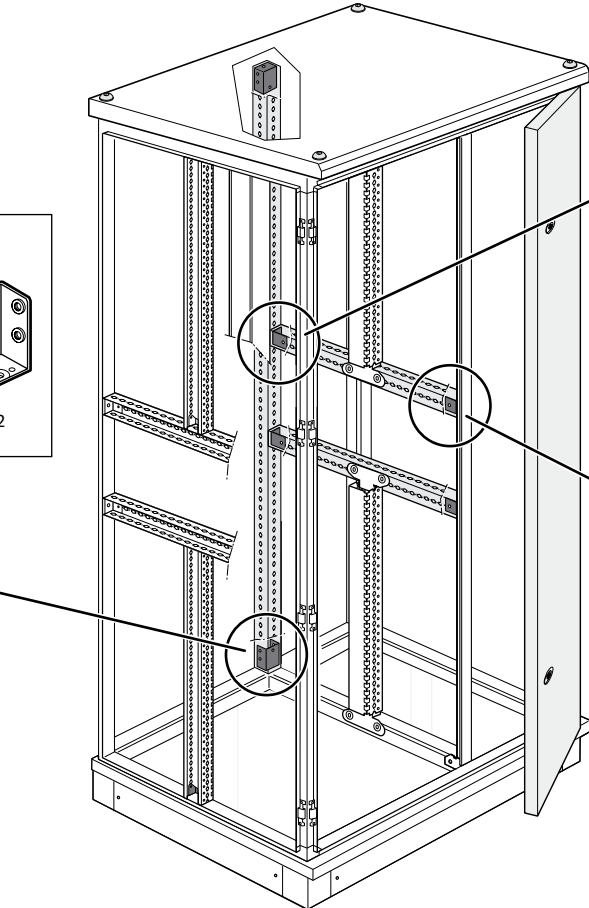
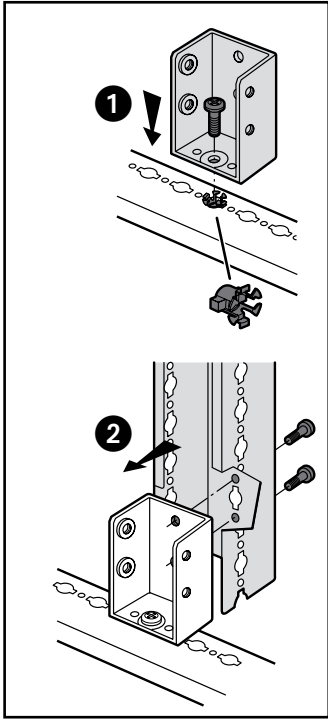
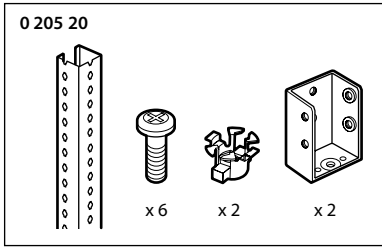
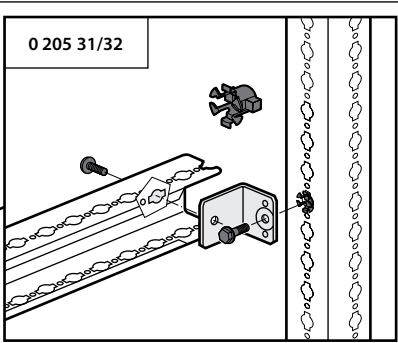
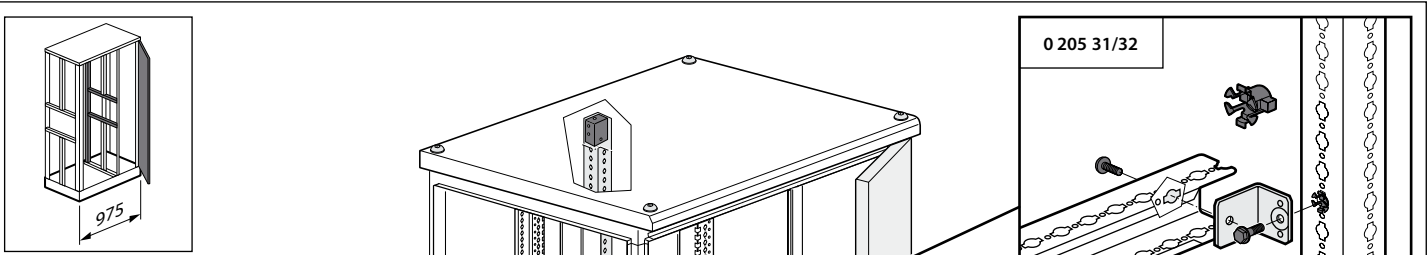


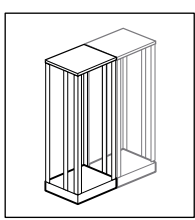
0 205 58/59  
0 208 55/56



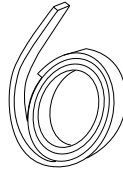
0 205 59  
0 208 56





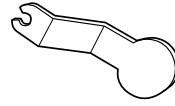


0 205 85



IP 55

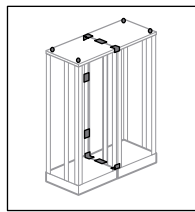
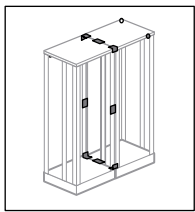
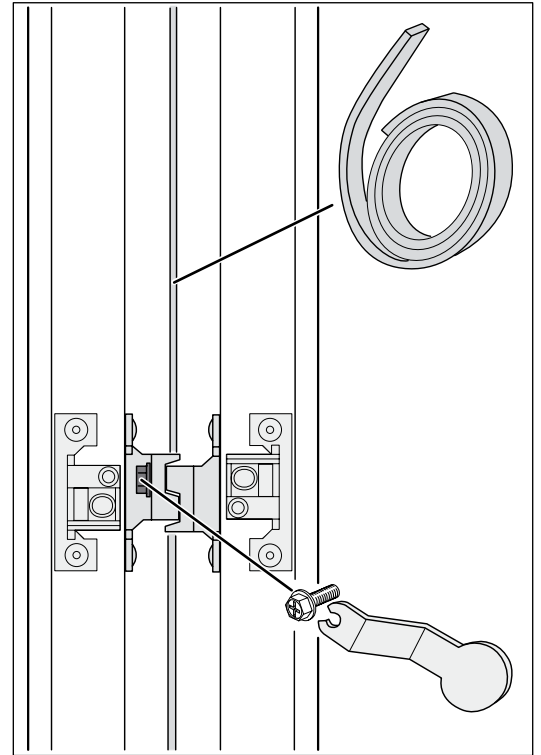
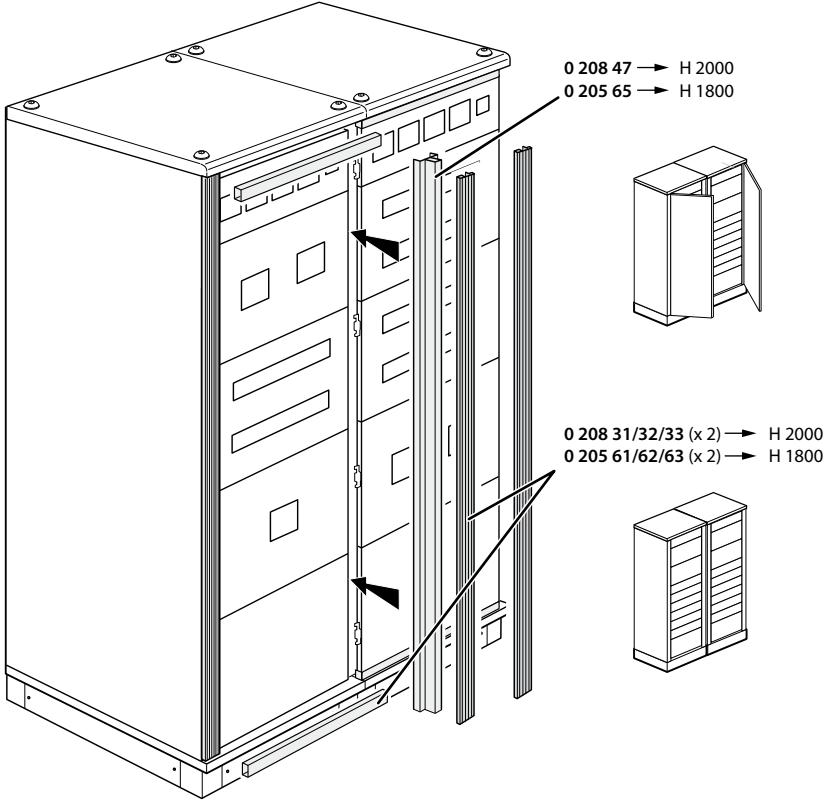
0 205 86



x 1



x 8



0 205 89



x 8



x 8



x 2

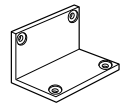
0 205 88



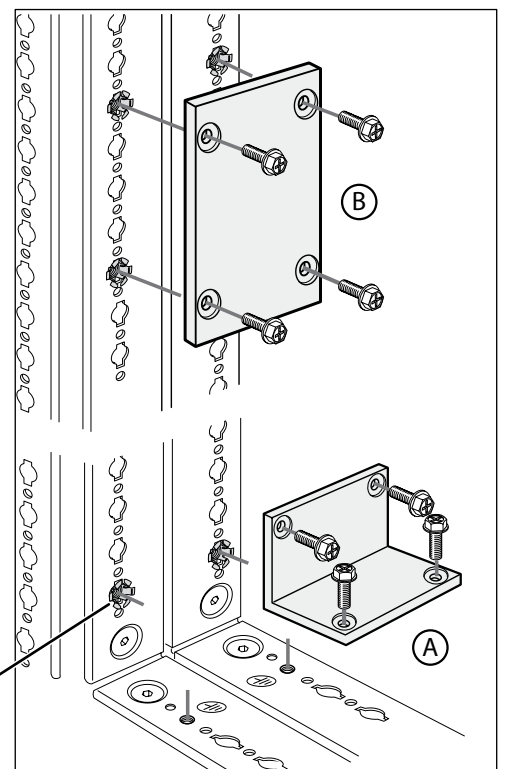
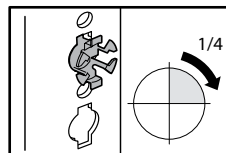
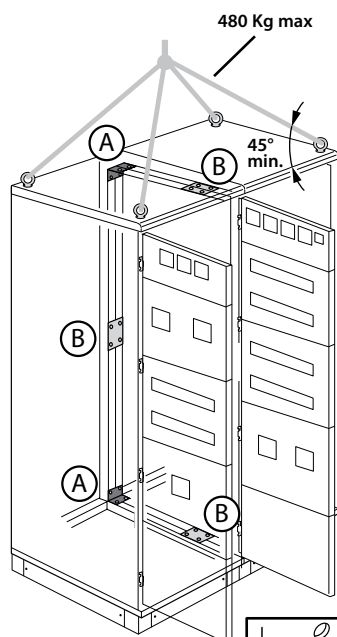
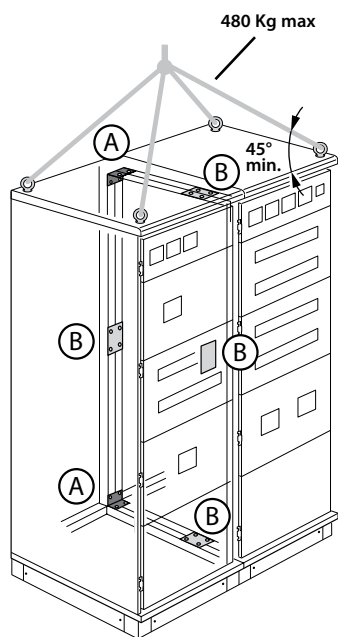
x 8



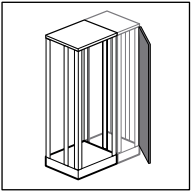
x 8



x 2







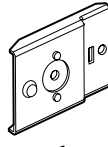
0 205 48  
0 208 67



x 6



x 6



x 6



x 1



x 4



x 2

