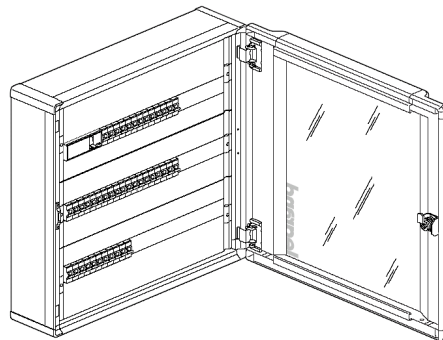


XL³ 160 class II insulated distribution cabinets

Cat no(s) : 20052/53/54/55/56/95/96



CONTENTS	PAGE
1. General characteristics	1
2. Finish	2
3. Range	2
4. Overall dimensions	2
5. Equipment	3
6. Accessories	4

1. GENERAL CHARACTERISTICS

Class II insulated distribution cabinets delivered ready-assembled with faceplates, removable chassis with fitted rails, wire guides for vertical wiring and cutaway cable entry panels. Can accommodate DPX 125 and Vistop 160, as well as (in cabinets with dedicated space) DPX 160 and blue tariff kits. Capacity for 2 to 6 rows with 24 modules per row. Reusable packaging.

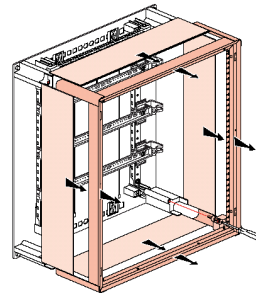
- Ingress protection against solids and liquids to standards IEC 60529 and NF EN 60529:
 - IP 30 without door
 - IP 40 with door
 - IP 43 with door and IP 43 seal
- Mechanical impact rating to standards NF EN 50102 and NFC 20015
 - IK04 without door
 - IK07 with door
- Glow wire resistance 750° C / 5 s to IEC 60595-2-1
- Maximum current strength 160A
Ipk : 20 kA

1.1 Structure

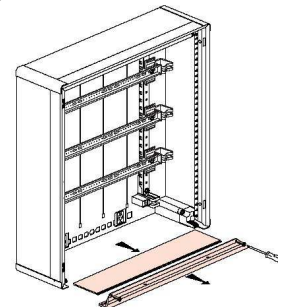
- Assembly of plastic components – colour: grey Ral 7035
- Rear panel
- Removable side panels and frame
- ¼-turn faceplates
- Removable chassis
- Supplied with brass grounding strip
- Reversible metal doors with or without window, flat or curved, supplied with handle (without barrel), angle of opening 120° (to be ordered separately)

1. GENERAL CHARACTERISTICS (cont.)

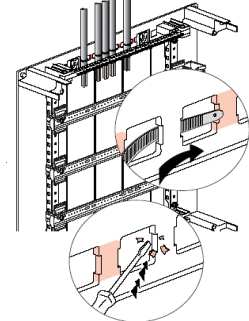
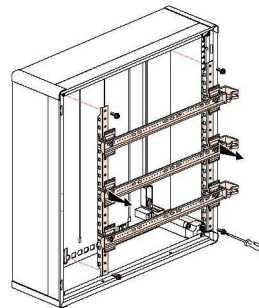
- Individually removable side plates and frame



- Removable chassis



Cable fixture in rear of cabinet



1.2 Standard conformity

- Legrand cabinets are designed in compliance with all the relevant international standards.

IEC 60529	Degree of protection provided by enclosures (IP code)
EN 60529	
NFC 20-015	Degree of protection provided by enclosures of electrical equipment against external mechanical impact (IK code)
NF EN 50102	
IEC 60439-1	Low voltage switchgear and controlgear assemblies
NF EN 60439-1	
IEC 60439-3	Low voltage switchgear and controlgear assemblies
NF EN 60439-3	

XL³ 160 class II insulated distribution cabinets

Cat no(s) : 20052/53/54/55/56/95/96

1. GENERAL CHARACTERISTICS (cont.)

1.3 Cabinet capacity

No. of rows	No. of modules	All-modular cabinets	Cabinets with dedicated space
2	48	X	
3	72	X	X
4	96	X	X
5	120	X	
6	144	X	

2. FINISH

2.1 Outer housing

- Insulated rear panels, thickness 12 mm
- Insulated side panels, thickness 7 mm
- Insulated faceplates, thickness 2.6 mm, ¼-turn release
- Colour: grey Ral 7035

2.2 Chemical resistance

	PS	PVC
Acetone	N	N
Acetic acid (10%)	S	I
Hydrochloric acid	S (10%)	S (36%)
Citric acid (10%)	S	S
Hydrofluoric acid (40%)	N	I
Lactic acid (10%)	N	I
Nitric acid (10%)	I	S
Phosphoric acid (85%)	I	S
Sulphuric acid	I (10%)	S (85%)
Tannic acid		S
Ethyl alcohol	I	S
Methyl alcohol	I	S
Ammonium hydroxide	S	S
Benzene	N	N
Lime	N	N
Liquid chlorine		I
Barium chloride	S	S
Sodium chloride (20%)	S	S
Bleach (20%)	I	S
Seawater	S	S
Oils and greases	I	S
Milk	S	S
Petroleum, gasoline	I	S
Caustic soda (40%)	I	S
Sugars		S
Toluene	N	N
Trichlorethylene	N	N
Urine	S	S
Wine	S	S

S = Satisfactory
N = Unsatisfactory
I = Limite

3. RANGE

Class II cabinets in insulated material, 2 to 6 rows

Height mm	Inside height mm	Inside width mm	Inside depth below faceplate mm	Weight Kg	Cat. No.
450	400	515	115	6,4	20052
600	550	515	115	7,8	20053
750	700	515	115	9,6	20054
900	850	515	115	11,3	20055
1050	1000	515	115	13	20056

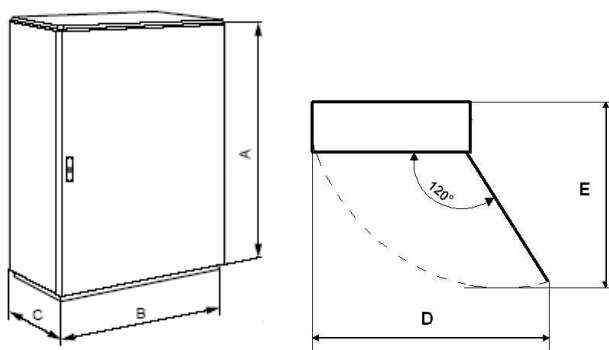
Class II cabinets in insulated material, 3 and 4 rows with dedicated space for blue tariff kit (single and three-phase)

Height mm	Inside height mm	Inside width mm	Inside depth below faceplate mm	Weight Kg	Cat. No.
900	850	515	115	10,1	20095
1050	1000	515	115	11,7	20096

4. OVERALL DIMENSIONS (mm)

Cat. No.	A	B	C without door	C flat door	C curved door	D	E
20052	450	575	147	170	190	910	720
20053	600	575	147	170	190	910	720
20054	750	575	147	170	190	910	720
20055	900	575	147	170	190	910	720
20056	1050	575	147	170	190	910	720
20095	900	575	147	170	190	910	720
20096	1050	575	147	170	190	910	720

Notes: Dimension C does not include the handle

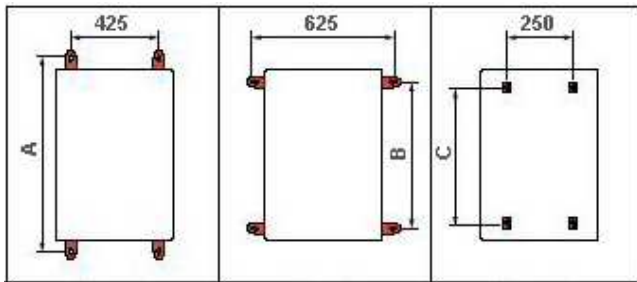


XL³ 160 class II insulated distribution cabinets

Cat no(s) : 20052/53/54/55/56/95/96

4. OVERALL DIMENSIONS (cont.)

4-1 Wall mounting

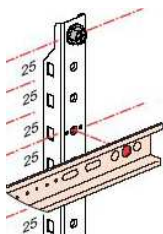


Cat. No.	A mm	B mm	C mm
20052	500	305	343
20053	650	455	493
20054	800	605	643
20055 / 95	950	755	793
20056 / 96	1100	905	943

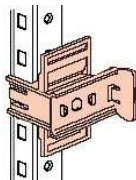
4-2 Passthrough

- Removable chassis comprising two steel profiles with double perforation

- On front M6 tapped holes at 25 mm intervals for fixing rails in the upper or lower position



- Side perforations at 25 mm intervals for securing rail support brackets in upper position



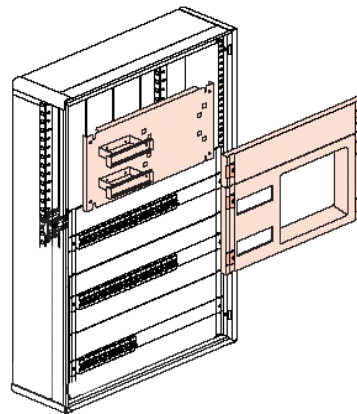
- Passthrough under rail and fixing plate

Rail	Cat. No.	345 mm x 50 mm Upper position
	20000	345 mm x 22 mm Lower position
Blue tariff kit	Cat.No. 20230	345 mm x 14 mm
	Cat.No. 20231	345 mm x 3 mm

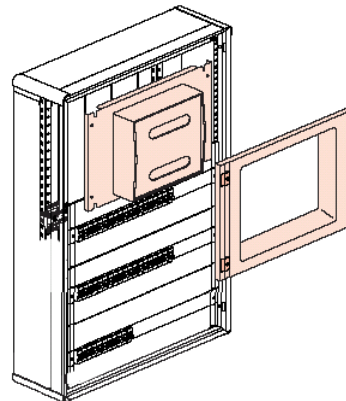
5. EQUIPMENT

Blue tariff kit

Cat. No. 20230 for main circuit-breaker up to 90 A mono and 60 A tetra



Cat. No. 20231 for main circuit-breaker and electronic three-phase meter



- Cat. No. 20000 Universal rail for fitting DPX 160 in cabinets with dedicated space, or for terminal strips

- Cat. No. 26208 Fixing plate for DPX 125

- Cat. No. 26209 Fixing plate for DPX 160

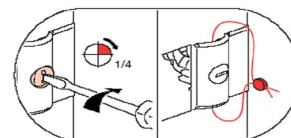
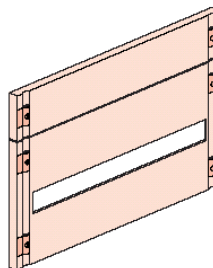
- Cat. No. 26299 Rail spacer for combining modular devices and DPX 125/160 mounted on fixing plate Capacity: 20 modules

¼-turn release insulated faceplates

For cabinets with dedicated space

- Cat. No. 20360 H 300 mm for DPX 160

- Cat. No. 20391 H 100 mm Plain



XL³ 160 class II insulated distribution cabinets

Cat no(s) : 20052/53/54/55/56/95/96

5. EQUIPMENT (cont.)

Reversible doors

supplied with handle..

Interchangeable barrel (to be ordered separately)

Curved doors

Metal	Transparent	Height (mm)	Cabinet/door distance (mm)	
			Metal	Transp.
20252	20262	450	57	53
20253	20263	600	57	53
20254	20264	750	57	53
20255	20265	900	57	53
20256	20266	1050	57	53

Flat doors

Meta	Transparent	Height (mm)	Cabinet/door distance (mm)	
			Metal	Transp.
20272	20282	450	38	34
20273	20283	600	38	34
20274	20284	750	38	34
20275	20285	900	38	34
20276	20286	1050	38	34

6. ACCESSORIES

- Cat. No. 20051 Cutaway 24-module blanking plate
- Cat. No. 01665 Breakaway 18-module adjustable strip, separation by module or ½-module
- Cat. No. 20399 Clip-on adhesive label holder for 24 modules
- Cat. No. 04819 Flat bar 12 x 2 for terminal strips IP2X
- Réf. 04819 Barreau plat 12 x 2, reçoit les borniers IP2x
- Cat. No. 20130 IP 43 seal

Door accessories

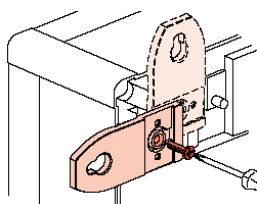
- Key barrels and knockout for metal or transparent doors, supplied with 2 keys
- Cat. No. 20291 Type 405
- Cat. No. 20292 Type 455
- Cat. No. 20293 Type 1242E
- Cat. No. 20294 Type 2433A

Adhesive transparent document holder

- Cat. No. 09799 Flexible plastic A4
- Cat. No. 36582 Rigid plastic IP 50

Paint spray

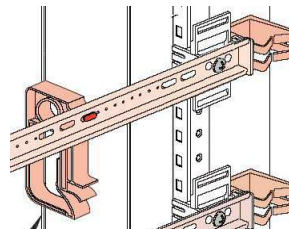
- Cat. No. 20098 RAL 7035
- Cat. No. 20150 Set of 4 plastic wall-mounting lugs



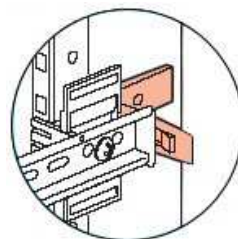
6. ACCESSORIES (cont.)

Wire guides

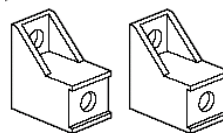
- Cat. No. 20094 For horizontal wiring
- Cat. No. 20093 For vertical wiring
- Cat. No. 36646 Insulating rivet



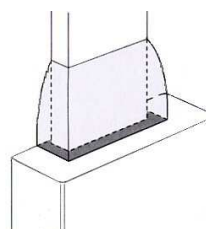
- Cat. No. 20070 Mounting support for Lina 25 cable ducting (40 x 60)
- Cat. No. 36646 Insulating rivet



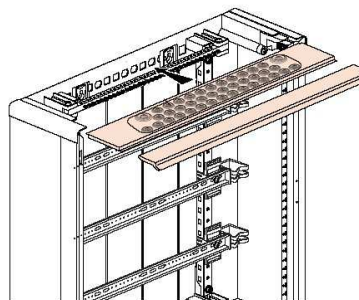
- Cat. No. 20050 Set of 2 supports for IP2X terminal strips, for bar Cat. No. 04819



- Cat. No. 20160 Finishing strip for DLP / cabinet connection



- Cat. No. 20071 Cable entry panel with direct feedthrough glands. 22 glands Ø 20, 2 glands Ø 32



**XL³ 160 class II insulated distribution
cabinets**

Cat no(s) : 20052/53/54/55/56/95/96