

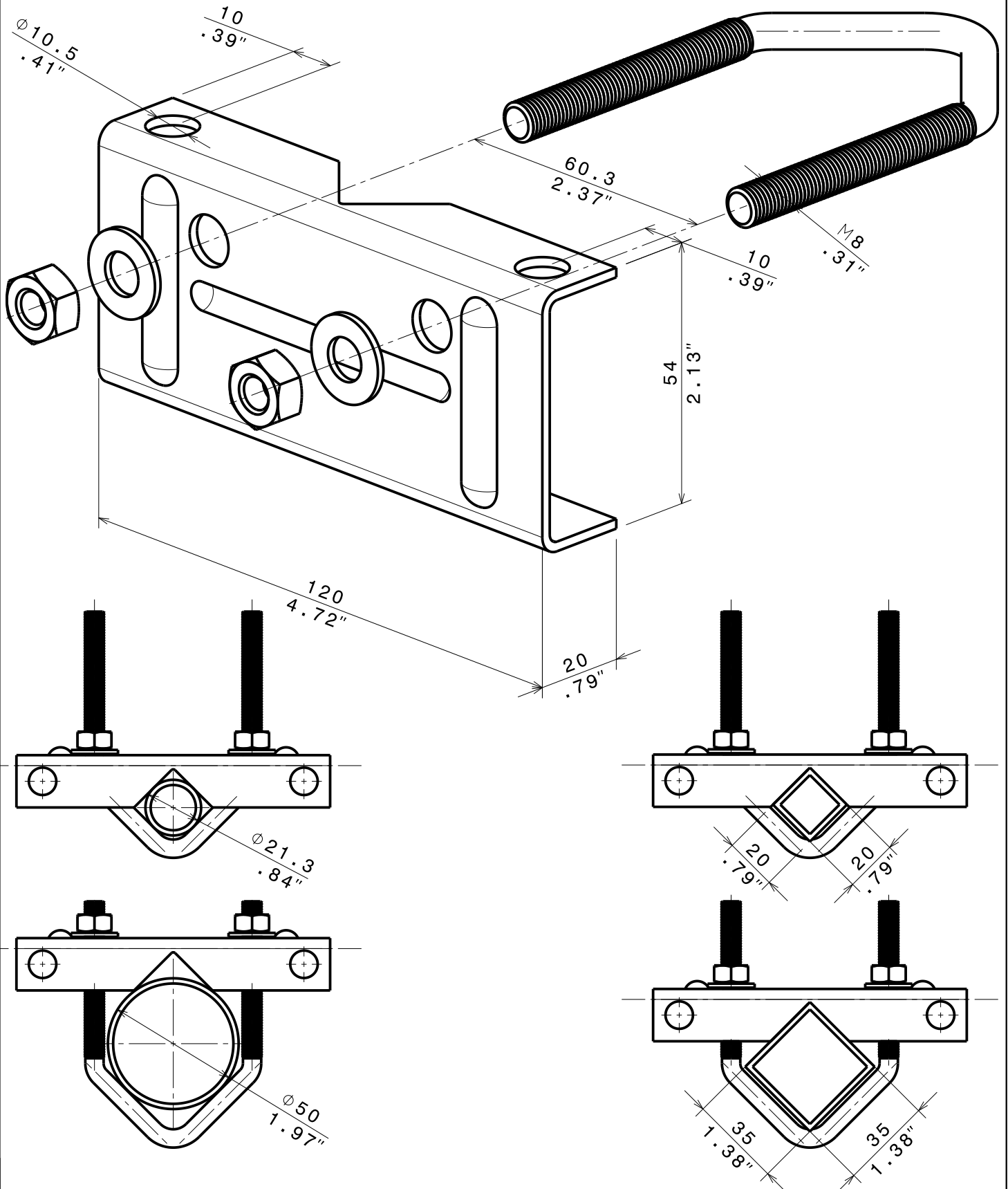
BRIDE UFC
UFC ATTACH

GS
PG

legrand | CABLE
MANAGEMENT

FT0512-0

08 14



REF	CODE	POIDS/WEIGHT	EPAISSEUR/THICKNESS
UFC	559220	0,200 0,400	2 0.079"

MATIERE/MATERIAL	NORMES/STANDARD
DX 51 D Z 275 MAC	EN 10346