

Motion detector - Professional Line

IS 2360-3 ECO

black

EAN 4007841 081706

Article number 081706



infrared sensor
360°



max. 12 m

2000 W

2000 W max.
(LED-ready)



IP54



2 - 1000 lux



5 sec - 15 min



energy saving

5 years

manufacturer's
warranty
steinel-professional.de/garantie



CE

Function description

The multi-talent for indoors and outdoors. Infrared wall sensor IS 2360-3 ECO, 3 pyro sensors for a 360° angle of coverage, reach can be set up to 12 m, selectable time and twilight threshold, detection zone can be customised with shrouds.

IS 2360-3 ECO

black
 EAN 4007841 081706
 Article number 081706

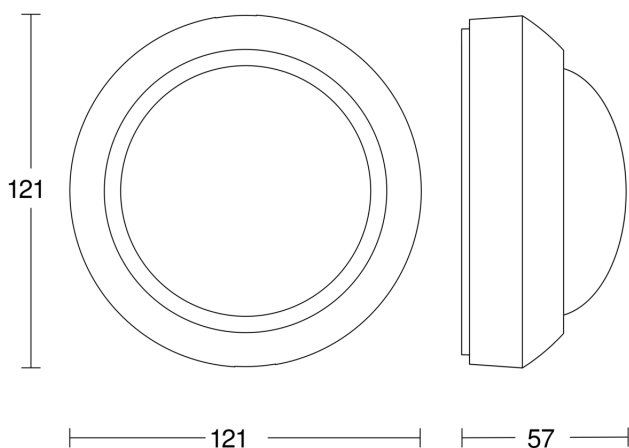


Technical specifications

| | |
|---|------------------------------|
| Type | Motion detectors |
| Dimensions (Ø x H) | 121 x 57 mm |
| Mains power supply | 220 – 240 V / 50 – 60 Hz |
| Power consumption | 0,56 W |
| Sensor Technology | passive infrared |
| Application, place | Outdoors, Indoors |
| Installation site | ceiling |
| Installation | Surface wiring |
| Mounting height | 2,50 – 6,00 m |
| Reach, radial | Ø 12 m (113 m ²) |
| Reach, tangential | Ø 24 m (452 m ²) |
| Detection angle | 360 ° |
| Angle of aperture | 90 ° |
| Switching zones | 972 switching zones |
| Optimum mounting height | 2,8 m |
| Mechanical scalability | No |
| Sneak-by guard | Yes |
| Capability of masking out individual segments | Yes |
| Electronic scalability | No |
| Twilight setting TEACH | No |
| Twilight setting | 2 – 1000 lx |

| | |
|--|---|
| Time setting | 5 s – 15 Min. |
| Switching output 1, resistive | 2000 W |
| Switching output 1, number of LEDs / fluorescent lamps | 8 pcs. |
| Switching output 1, floating | No |
| Switching output 1, low-voltage halogen lamps | 1000 VA |
| Constant-lighting control | No |
| Basic light level function | No |
| Settings via | Potentiometers |
| With remote control | No |
| Interconnection | Yes |
| Type of interconnection | Master/master |
| IP-rating | IP54 |
| Material | Plastic |
| Ambient temperature | -20 – 50 °C |
| Application, room | corridor / aisle, changing room, function room / ancillary room, kitchenette, stairwell, WC / washroom, multi-storey / underground car park, outdoors, warehouse, Indoors |
| Colour | black |
| IDs, certificates | VDE |
| Manufacturer's Warranty | 5 years |
| Version | black |
| PU1, EAN | 4007841081706 |

Dimension Drawing



Circuit diagram

