

Coupling M8 with connection cable, 5 m long for M8 connector 4-pole, for 3SE66 magnetically-operated switch



General technical data	
Product brand name	SIRIUS
Product designation	Coupling, M8 socket, for 3SE66
Operating current at 40 °C rated value	4 A
Operating voltage rated value	30 V
Number of poles	4
Wire length of connecting cable	5 m
Ambient temperature during operation	-25 ... +85 °C
Type of electrical connection	connector M8
Color coding of the core	Pin 1 = BN, Pin 2 = WH, Pin 3 = BU, Pin 4 = BK
Overvoltage category	2
Degree of pollution	3
Protection class IP	IP67
Material	
• of the contact	CuSn
• of contact coating	Au
• of contact main body	PUR

Certificates/approvals

General Product Approval	Declaration of Conformity	other
--------------------------	---------------------------	-------



[Miscellaneous](#)

[Confirmation](#)

Further information

Information- and Downloadcenter (Catalogs, Brochures,...)

<http://www.siemens.com/industrial-controls/catalogs>

Industry Mall (Online ordering system)

<https://mall.industry.siemens.com/mall/en/en/Catalog/product?mlfb=3SX5601-3GA05>

Cax online generator

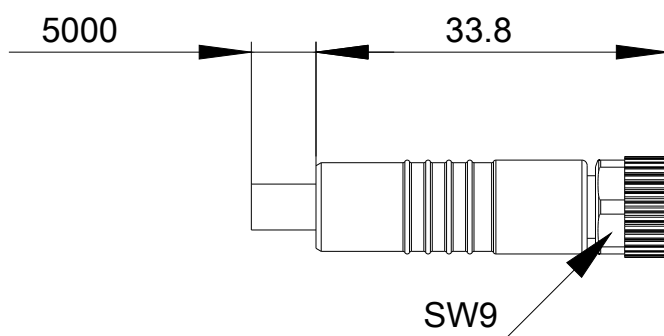
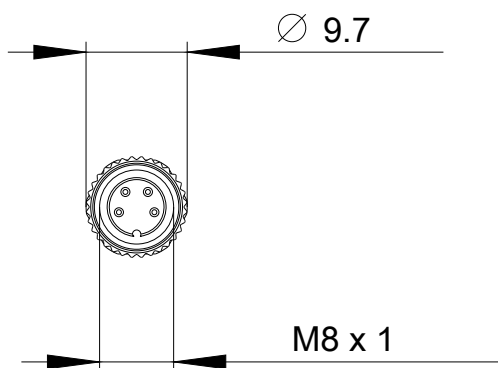
<http://support.automation.siemens.com/WW/CAXorder/default.aspx?lang=en&mlfb=3SX5601-3GA05>

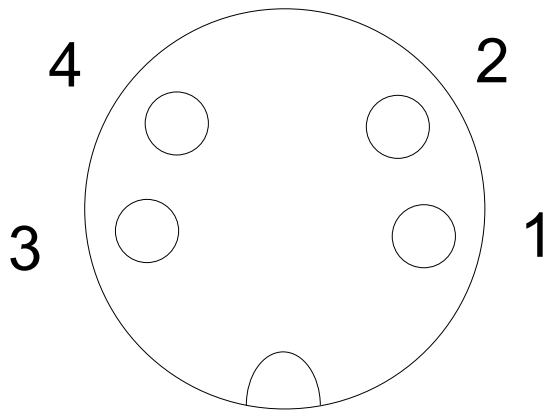
Service&Support (Manuals, Certificates, Characteristics, FAQs,...)

<https://support.industry.siemens.com/cs/ww/en/ps/3SX5601-3GA05>

Image database (product images, 2D dimension drawings, 3D models, device circuit diagrams, EPLAN macros, ...)

http://www.automation.siemens.com/bilddb/cax_de.aspx?mlfb=3SX5601-3GA05&lang=en





1	BN = Brown
2	WH = White
3	BU = Blue
4	BK = Black

last modified:

09/23/2020