

Adapter + screw for compensation Installation depth for metal switches for twist lever adjustable-length and rod lever 3SE51 if required for converting from 3SE21 (3SE21.0-.UW/VW/WW/U/V/W) to 3SE51



General technical data

Product brand name	SIRIUS
Product designation	Adapter for offsetting the overall depth for metal switches

Certificates/approvals

General Product Approval	Declaration of Conformity	other
--------------------------	---------------------------	-------



[Miscellaneous](#)

[Confirmation](#)

Further information

Information- and Downloadcenter (Catalogs, Brochures,...)

<http://www.siemens.com/industrial-controls/catalogs>

Industry Mall (Online ordering system)

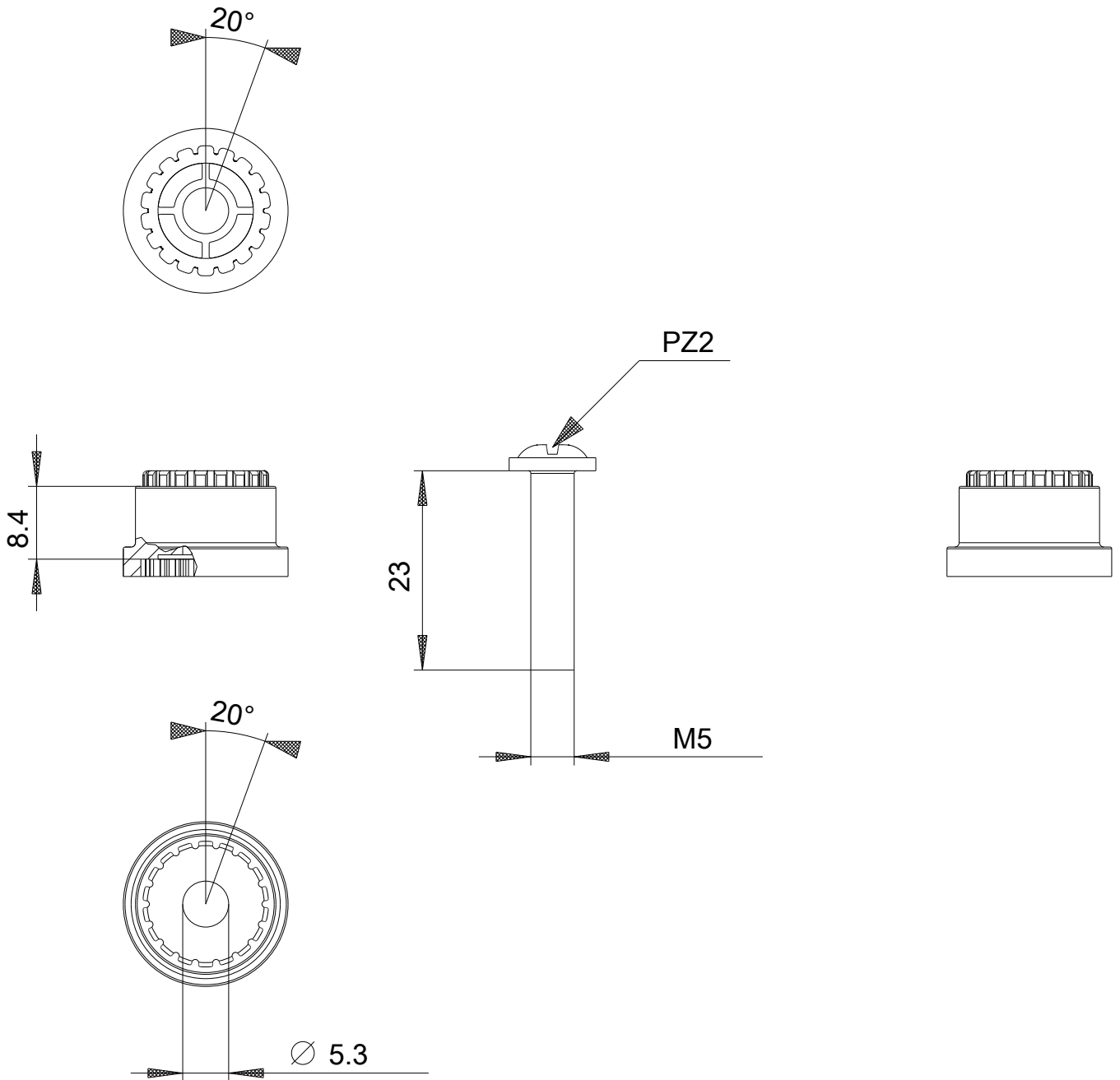
<https://mall.industry.siemens.com/mall/en/en/Catalog/product?mlfb=3SX5100-3B>

Cax online generator

<http://support.automation.siemens.com/WW/CAXorder/default.aspx?lang=en&mlfb=3SX5100-3B>

Service&Support (Manuals, Certificates, Characteristics, FAQs,...)

<https://support.industry.siemens.com/cs/ww/en/ps/3SX5100-3B>



last modified:

09/11/2020