




rotary operator with shaft stub for 8UC retrofit accessory for: 3VA1
160



Model	
Product brand name	SENTRON
Product designation	Accessories
Product version	Rotary operating mechanisms with shaft stub
Accessories	Rotary operator with shaft stub
Mechanical Design	
Height	70 mm
Width	77 mm
Net weight	180 g
Certificates	

General Product Approval	EMC	Declaration of Conformity	Test Certificates
 VDE	Miscellaneous EAC	 RCM	 EG-Konf.

[Type Test Certificates/Test Report](#)

Shipping Approval	other
-------------------	-------



LRS

[Manufacturer Declaration](#)

[Miscellaneous](#)

Further information

Information- and Downloadcenter (Catalogs, Brochures,...)

<http://www.siemens.com/lowvoltage/catalogs>

Industry Mall (Online ordering system)

<https://mall.industry.siemens.com/mall/en/en/Catalog/product?mlfb=3VA9157-0GK00>

Service&Support (Manuals, Certificates, Characteristics, FAQs,...)

<https://support.industry.siemens.com/cs/ww/en/ps/3VA9157-0GK00>

Image database (product images, 2D dimension drawings, 3D models, device circuit diagrams, ...)

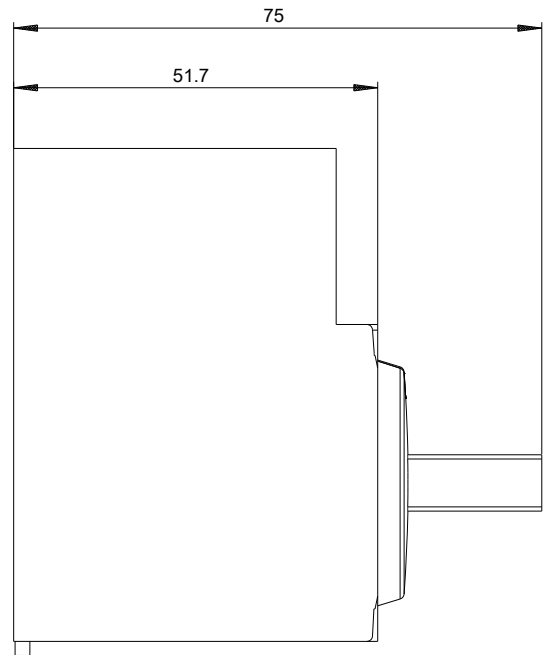
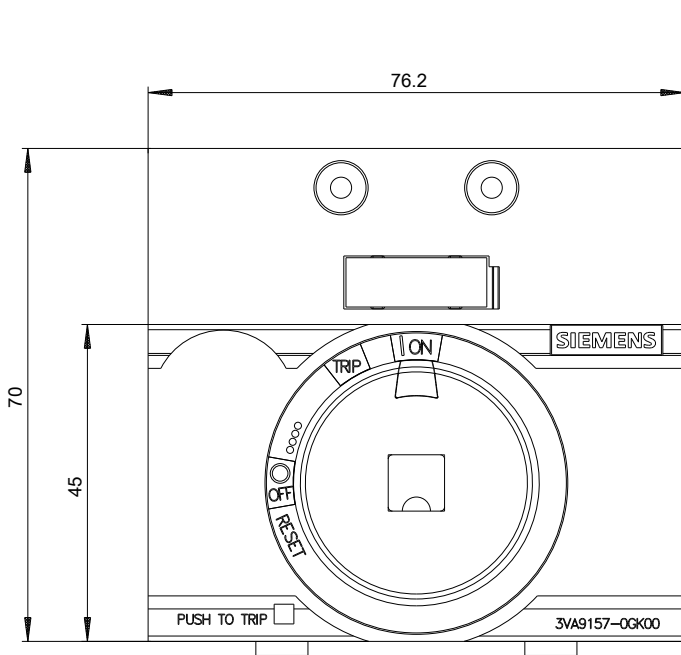
http://www.automation.siemens.com/bilddb/cax_en.aspx?mlfb=3VA9157-0GK00

CAX-Online-Generator

<http://www.siemens.com/cax>

Tender specifications

<http://www.siemens.com/specifications>



last modified:

08/08/2020