

side wall mounted rot. operator standard IEC IP65 accessory for:  
3VA1 250



Model	
Product brand name	SETRON
Product designation	Accessories
Product version	Side wall-mounted rotary operator
Accessories	Side panel rotary operating mechanism





General technical data	
Protection class IP	IP65

Mechanical Design	
Height	75 mm
Net weight	684 g

Certificates	
--------------	--

General Product Approval	EMC	Declaration of Conformity	Test Certificates	Shipping Approval
<a href="#">Miscellaneous</a> 	 RCM	 EG-Konf.	<a href="#">Type Test Certificates/Test Report</a>	 LRS

other	
<a href="#">Manufacturer Declaration</a>	<a href="#">Miscellaneous</a>

### Further information

**Information- and Downloadcenter (Catalogs, Brochures,...)**

<http://www.siemens.com/lowvoltage/catalogs>

**Industry Mall (Online ordering system)**

<https://mall.industry.siemens.com/mall/en/en/Catalog/product?mlfb=3VA9257-0PK11>

**Service&Support (Manuals, Certificates, Characteristics, FAQs,...)**

<https://support.industry.siemens.com/cs/ww/en/ps/3VA9257-0PK11>

**Image database (product images, 2D dimension drawings, 3D models, device circuit diagrams, ...)**

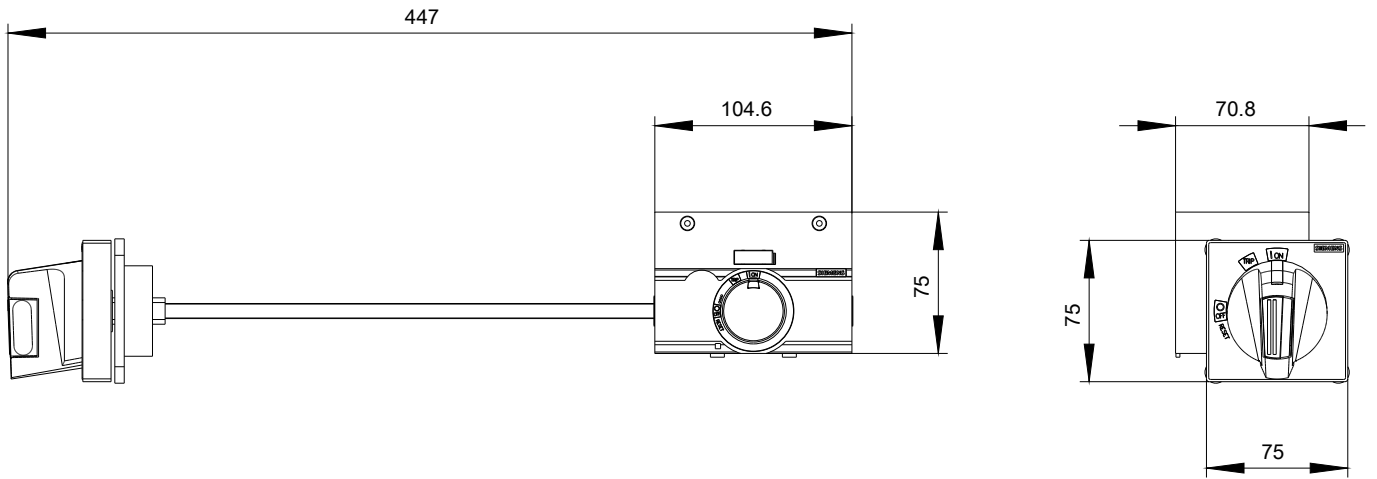
[http://www.automation.siemens.com/bilddb/cax\\_en.aspx?mlfb=3VA9257-0PK11](http://www.automation.siemens.com/bilddb/cax_en.aspx?mlfb=3VA9257-0PK11)

**CAX-Online-Generator**

<http://www.siemens.com/cax>

**Tender specifications**

<http://www.siemens.com/specifications>



**last modified:**

08/08/2020