

front mounted rotary operator emergency-off IEC IP30/40 24V DC  
lighting kit accessory for: 3VA1 400/630 3VA2 400/630



| Model               |                                  |
|---------------------|----------------------------------|
| Product brand name  | SETRON                           |
| Product designation | Accessories                      |
| Product version     | Front rotary operating mechanism |
| Accessories         | Front rotary operator            |

| General technical data |      |
|------------------------|------|
| Protection class IP    | IP30 |

| Mechanical Design |        |
|-------------------|--------|
| Height            | 94 mm  |
| Width             | 138 mm |
| Depth             | 108 mm |
| Net weight        | 361 g  |

### Certificates

| General Product Approval                                                                                           | EMC                                                                                      | Declaration of Conformity                                                                     | Shipping Approval                                                                          | other                                    |
|--------------------------------------------------------------------------------------------------------------------|------------------------------------------------------------------------------------------|-----------------------------------------------------------------------------------------------|--------------------------------------------------------------------------------------------|------------------------------------------|
| <a href="#">Miscellaneous</a><br> | <br>RCM | <br>EG-Konf. | <br>LRS | <a href="#">Manufacturer Declaration</a> |

| other                         |
|-------------------------------|
| <a href="#">Miscellaneous</a> |

### Further information

**Information- and Downloadcenter (Catalogs, Brochures,...)**

<http://www.siemens.com/lowvoltage/catalogs>

**Industry Mall (Online ordering system)**

<https://mall.industry.siemens.com/mall/en/en/Catalog/product?mlfb=3VA9467-0EK17>

**Service&Support (Manuals, Certificates, Characteristics, FAQs,...)**

<https://support.industry.siemens.com/cs/ww/en/ps/3VA9467-0EK17>

**Image database (product images, 2D dimension drawings, 3D models, device circuit diagrams, ...)**

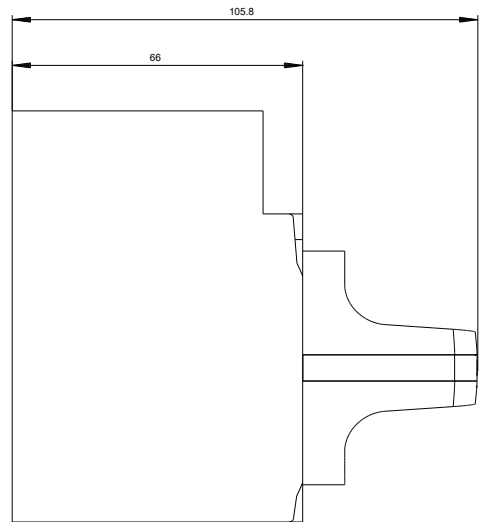
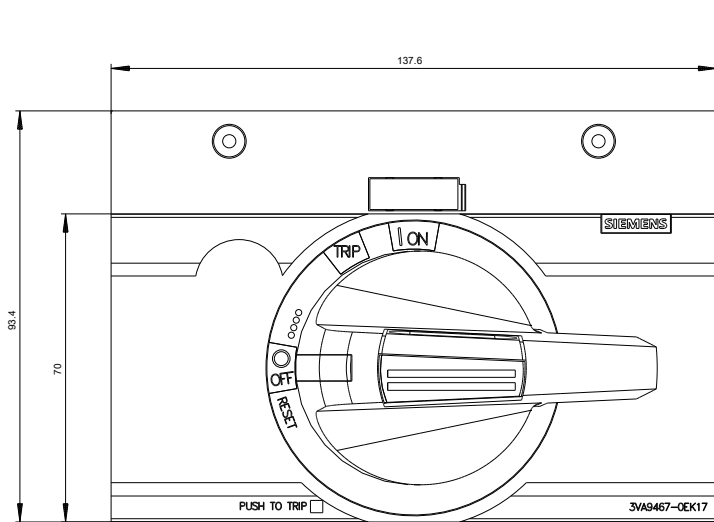
[http://www.automation.siemens.com/bilddb/cax\\_en.aspx?mlfb=3VA9467-0EK17](http://www.automation.siemens.com/bilddb/cax_en.aspx?mlfb=3VA9467-0EK17)

**CAX-Online-Generator**

<http://www.siemens.com/cax>

**Tender specifications**

<http://www.siemens.com/specifications>



last modified:

08/08/2020