

front mounted rotary operator emergency-off IEC IP30/40 accessory for: 3VA1 100/160



Model	
Product brand name	SETRON
Product designation	Accessories
Product version	Front rotary operating mechanism
Accessories	Front rotary operator

General technical data	
Protection class IP	IP30

Mechanical Design	
Height	70 mm
Width	77 mm
Depth	95 mm
Net weight	201 g

### Certificates

General Product Approval	EMC	Declaration of Conformity	Test Certificates
 VDE	<a href="#">Miscellaneous</a>  EAC	 RCM	 EG-Konf.

[Type Test Certificates/Test Report](#)

Shipping Approval	other
-------------------	-------



LRS

[Manufacturer Declaration](#)

[Miscellaneous](#)

### Further information

**Information- and Downloadcenter (Catalogs, Brochures,...)**

<http://www.siemens.com/lowvoltage/catalogs>

**Industry Mall (Online ordering system)**

<https://mall.industry.siemens.com/mall/en/en/Catalog/product?mlfb=3VA9157-0EK15>

**Service&Support (Manuals, Certificates, Characteristics, FAQs,...)**

<https://support.industry.siemens.com/cs/ww/en/ps/3VA9157-0EK15>

**Image database (product images, 2D dimension drawings, 3D models, device circuit diagrams, ...)**

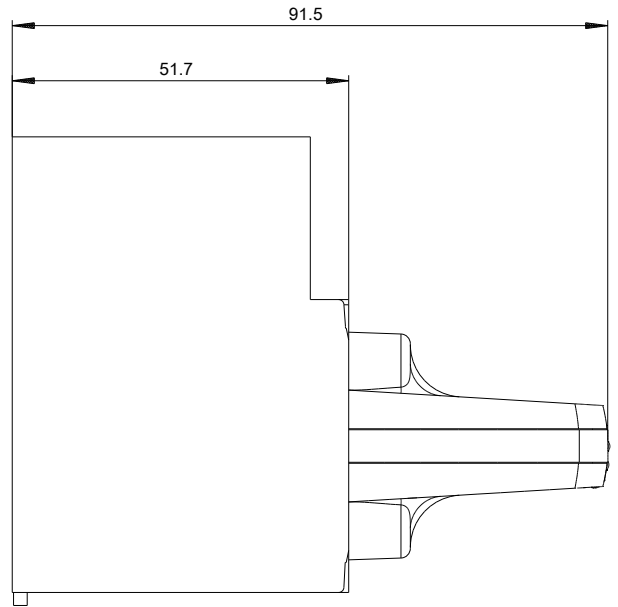
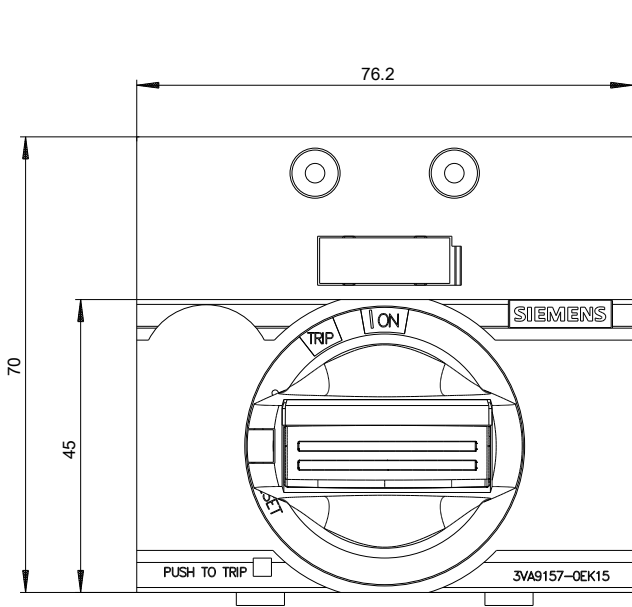
[http://www.automation.siemens.com/bilddb/cax\\_en.aspx?mlfb=3VA9157-0EK15](http://www.automation.siemens.com/bilddb/cax_en.aspx?mlfb=3VA9157-0EK15)

**CAX-Online-Generator**

<http://www.siemens.com/cax>

**Tender specifications**

<http://www.siemens.com/specifications>



**last modified:**

08/08/2020