

short circuit alarm switch changeover contacts type HQ (7mm)
accessory for: 3VA1 160



Model	
Product brand name	SETRON
Product designation	Short-circuit signaling switch
Product version	Accessories for 3VA circuit breakers
Accessories	Short-circuit signaling switch
General technical data	
Degree of pollution	3
Overvoltage category	III
Voltage	
Rated insulation voltage U_i	690 V
Rated impulse withstand voltage	4 kV
Rated operational voltage U_e at AC 50 Hz	240 V
Rated operational voltage U_e with DC	250 V
Current	
Thermal current limit I_{th}	6 A
Operating current	
• at AC-12 / at 12 V	6 A
• at AC-12 / at 24 V	6 A

- at AC-12 / at 48 V
- at AC-12 / at 125 V
- at AC-12 / at 220/240 V
- at DC-12 / at 12 V
- at DC-12 / at 24 V
- at DC-12 / at 48 V
- at DC-12 / at 110 V
- at DC-12 / at 250 V
- at DC-13 / at 12 V
- at DC-13 / at 24 V
- at DC-13 / at 48 V
- at DC-13 / at 110 V
- at DC-13 / at 250 V
- at AC-15 / at 12 V
- at AC-15 / at 24 V
- at AC-15 / at 48 V
- at AC-15 / at 125 V
- at AC-15 / at 220/240 V

6 A
6 A
6 A
6 A
4 A
2 A
0.5 A
0.25 A
1 A
0.8 A
0.4 A
0.2 A
0.1 A
3 A
3 A
3 A
3 A
3 A

Mechanical Design

Height	56 mm
Width	7 mm
Width / Note	1 slot (7 mm)
Depth	30 mm
Net weight	30 g
Tightening torque / with screw-type terminals / minimum	0.4 N·m
Tightening torque / with screw-type terminals / maximum	0.5 N·m

Connections according IEC

Wire stripping length	15 mm
AWG number / as coded connectable conductor cross section / for auxiliary contacts	
• minimum	20
• maximum	16

Connections according UL

Wire stripping length [in]	0.6 in
Tightening torque [lbf·in] / with screw-type terminals / minimum	3.5 lbf·in
Tightening torque [lbf·in] / with screw-type terminals / maximum	4.4 lbf·in

Certificates

General Product Approval	EMC
--------------------------	-----



CCC



VDE

[KC](#)

[Miscellaneous](#)



RCM

Declaration of Conformity	Test Certificates	Shipping Approval	other
---------------------------	-------------------	-------------------	-------



EG-Konf.

[Type Test Certificates/Test Report](#)



LRS

[Manufacturer Declaration](#)

[Miscellaneous](#)

Further information

Information- and Downloadcenter (Catalogs, Brochures,...)

<http://www.siemens.com/lowvoltage/catalogs>

Industry Mall (Online ordering system)

<https://mall.industry.siemens.com/mall/en/en/Catalog/product?mlfb=3VA9988-0AB32>

Service&Support (Manuals, Certificates, Characteristics, FAQs,...)

<https://support.industry.siemens.com/cs/ww/en/ps/3VA9988-0AB32>

Image database (product images, 2D dimension drawings, 3D models, device circuit diagrams, ...)

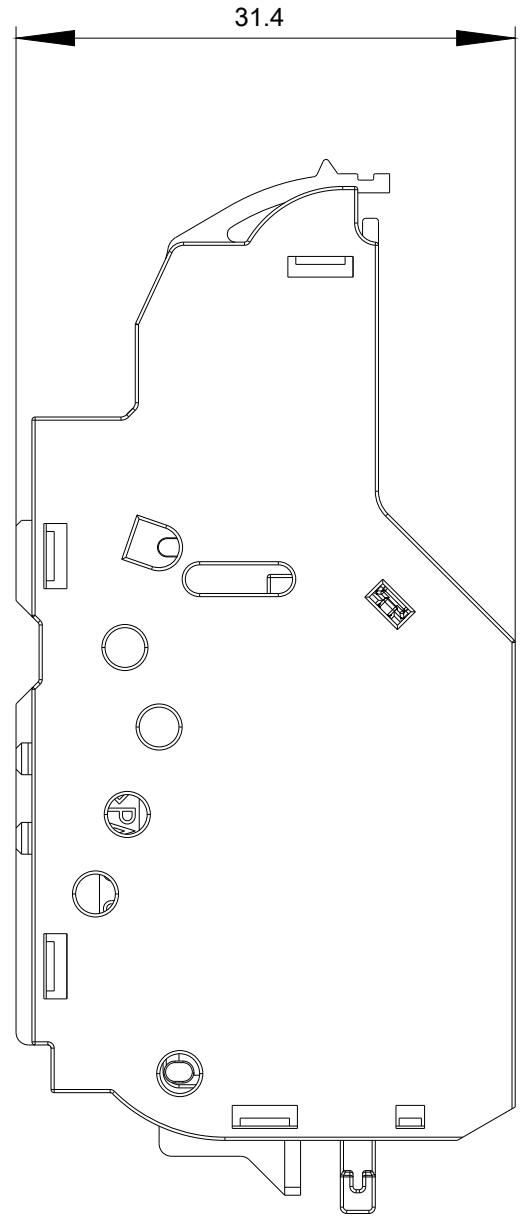
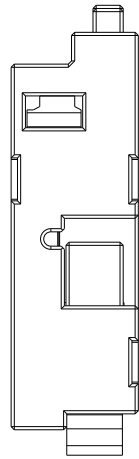
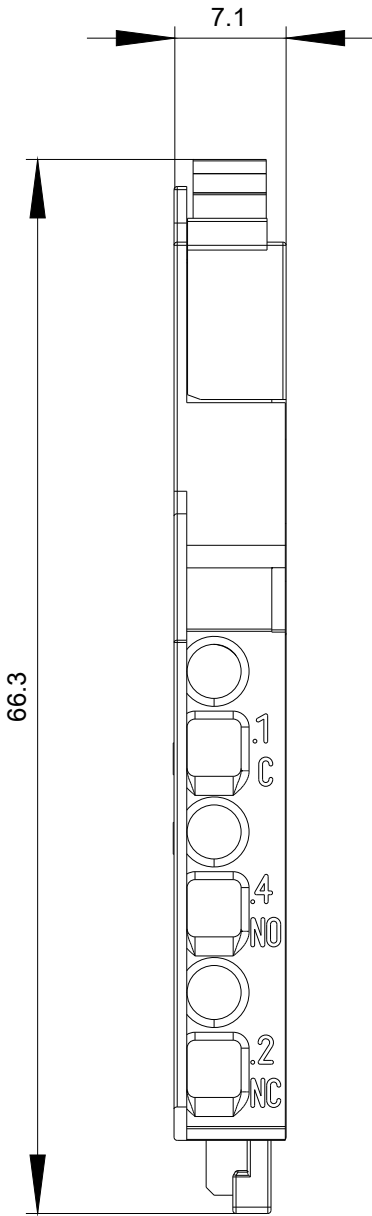
http://www.automation.siemens.com/bilddb/cax_en.aspx?mlfb=3VA9988-0AB32

CAX-Online-Generator

<http://www.siemens.com/cax>

Tender specifications

<http://www.siemens.com/specifications>



SAS

2.

4.

1.

last modified:

08/08/2020