

BIS Strut Schuifmoer (tv)

(H 24 25)

bevestiging aan Strut-rail



Voordelen en kenmerken

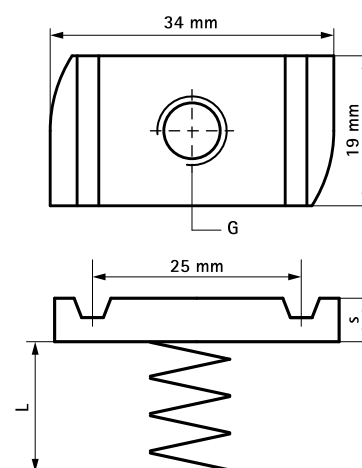
- materiaal: schuifmoer van staal 1.0332; ■ thermisch verzinkt
- veer van verenstaal DIN17223 (klasse A)
- getest op brandveiligheid

| Art.nr. | G | L | s (mm) | T _(max.) (Nm) | Voor rail | F _{a,z} (N) | F _{a,x} (N) | VPE 1 |
|---------|-----|-------|-----------|-----------------------------|-------------|-------------------------|-------------------------|-------|
| 6518006 | M6 | - | 5,0 | 7,0 | Strut | 2.660 | 950 | 100 |
| 6518008 | M8 | - | 6,0 | 25,0 | Strut | 4.500 | 2.200 | 100 |
| 6518010 | M10 | - | 8,0 | 40,0 | Strut | 5.000 | 2.550 | 100 |
| 6518012 | M12 | - | 9,0 | 50,0 | Strut | 5.000 | 2.950 | 100 |
| 6518106 | M6 | 13 mm | 5,0 | 7,0 | Strut 41x21 | 2.660 | 950 | 100 |
| 6518108 | M8 | 13 mm | 6,0 | 25,0 | Strut 41x21 | 4.500 | 2.200 | 100 |
| 6518110 | M10 | 13 mm | 8,0 | 40,0 | Strut 41x21 | 5.000 | 2.550 | 100 |
| 6518112 | M12 | 13 mm | 9,0 | 50,0 | Strut 41x21 | 5.000 | 2.950 | 100 |
| 6518206 | M6 | 33 mm | 5,0 | 7,0 | Strut 41x41 | 2.660 | 950 | 100 |
| 6518208 | M8 | 33 mm | 6,0 | 25,0 | Strut 41x41 | 4.500 | 2.200 | 100 |
| 6518210 | M10 | 33 mm | 8,0 | 40,0 | Strut 41x41 | 5.000 | 2.550 | 100 |
| 6518212 | M12 | 33 mm | 9,0 | 50,0 | Strut 41x41 | 5.000 | 2.950 | 100 |

Vanaf M10 getest op brandveiligheid.

Geteste waarden in combinatie met BIS RapidStrut® Rail 41x41x2,5mm.

Meer informatie kan gevonden worden in de Technische Datasheet.



Alternatief

BIS Strut Schuifmoer (BUP1000)