

**FMK
Series**



**FMK...Zn
Series**



Application

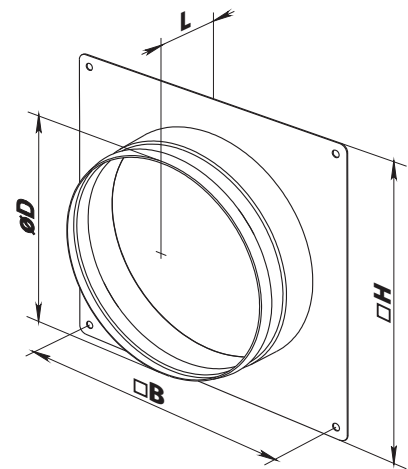
- For connection of flexible and plastic air ducts of the respective diameter.
- For wall or ceiling mounting.

Design

- Made of special steel with polymeric coating (FMK series) or galvanized steel (FMK...Zn series).
- The flanges are equipped with a rectangular connecting plate.
- Fixing to wall or ceiling with screws.

Overall dimensions

Model		Dimensions [mm]			
		H	B	D	L
FMK 80	FMK 80 Zn	130	114	80	50
FMK 100	FMK 100 Zn	150	134	100	50
FMK 110	FMK 110 Zn	158	142	110	50
FMK 120	FMK 120 Zn	162	146	120	50
FMK 125	FMK 125 Zn	170	156	125	50
FMK 130	FMK 130 Zn	180	164	130	50
FMK 140	FMK 140 Zn	190	174	140	50
FMK 150	FMK 150 Zn	204	188	150	50
FMK 160	FMK 160 Zn	210	194	160	50
FMK 180	FMK 180 Zn	220	204	180	50
FMK 200	FMK 200 Zn	250	234	220	50
FMK 250	FMK 250 Zn	300	284	250	50
FMK 315	FMK 315 Zn	360	344	315	50



Accessories

