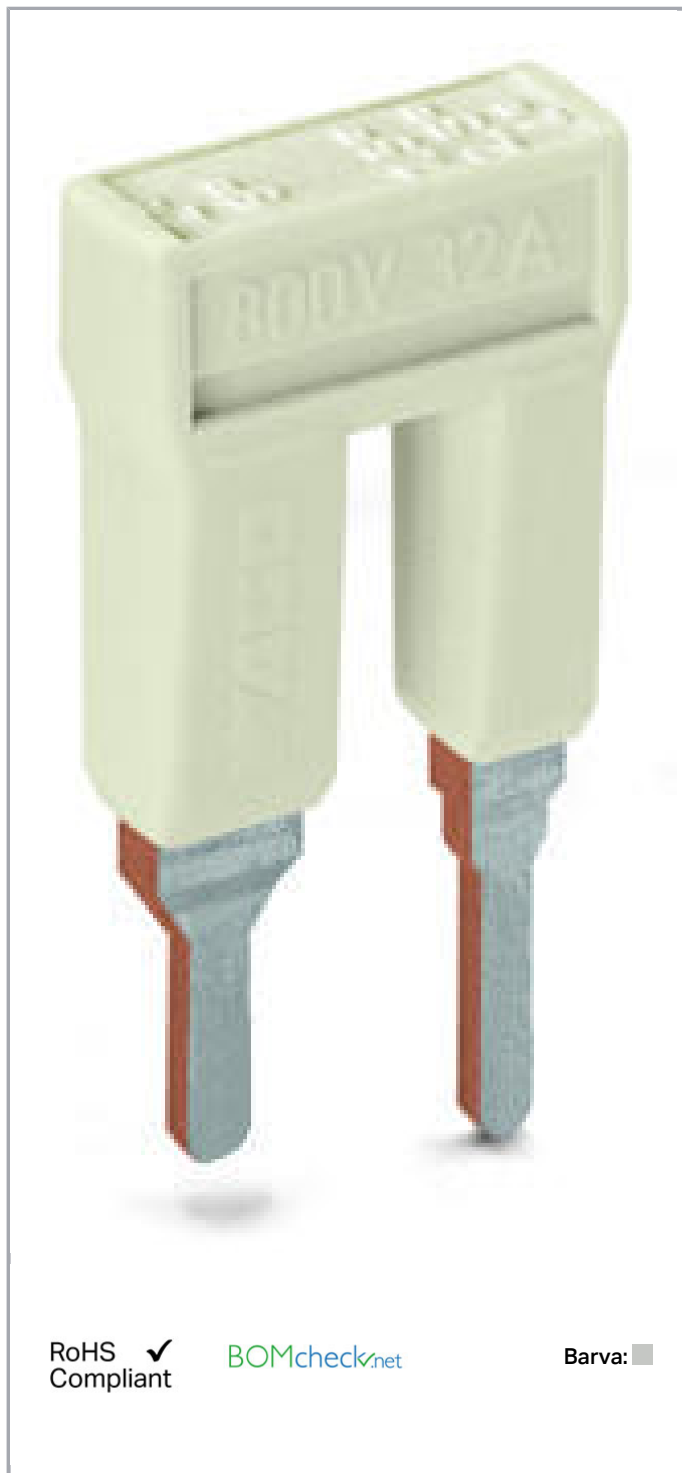


Datový list | Objednací číslo: 2006-499

Redukční můstek; Izolováno; Ze 6/4 mm² na 4/2,5/1,5 mm²; Jmenovitý proud 32 A; Světle šedá



www.wago.com/2006-499



RoHS Compliant

[BOMcheck.net](https://www.bomcheck.net)

Barva:

Data



Elektrické parametry

Ratings per IEC/EN 60664-1

Jmenovitý proud	32 A
-----------------	------

Údaje o materiálu

barva	Světle šedá
Požární zatížení	0.008 MJ
Hmotnost	1.608 g

Obchodní údaje

Product Group	22 (TOPJOB S)
Druh balení	bag
Country of origin	DE
GTIN	4055143701808
Customs Tariff No.	85366990990

Ke stažení

Documentation

Additional Information

Technical explanations	03-Apr-2019	pdf 2,1 MB	Stáhnout
------------------------	-------------	---------------	----------

CAD/CAE-Data

CAD data

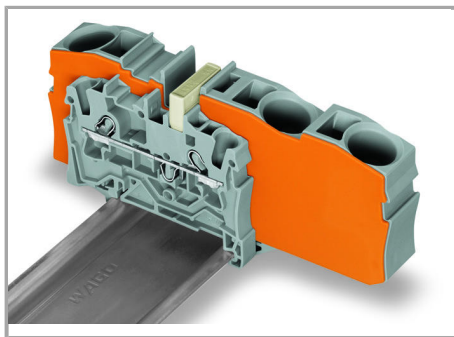
2D/3D Models 2006-499	URL	Stáhnout
-----------------------	-----	----------

CAE data

WSCAD Universe 2006-499	Stáhnout
-------------------------	----------

Handling Instructions

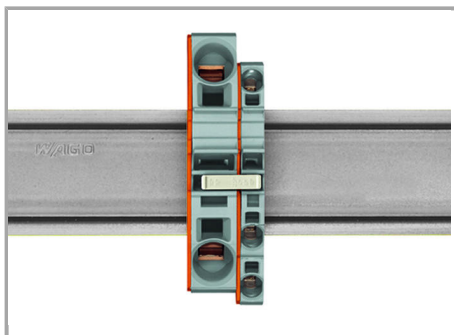
Jumpered



Step-down jumpers may common terminal blocks of different sizes, without losing a conductor clamping point. This can be beneficial on long conductor runs where voltage drops may be problematic. A large conductor can be easily connected to smaller conductors at the distribution point.

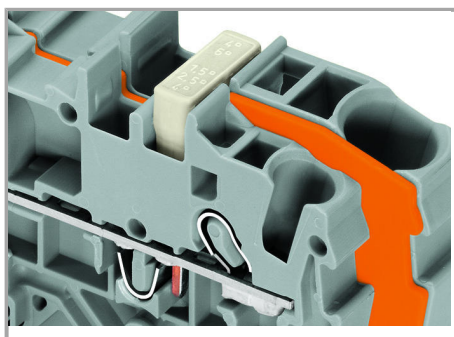
Commoning may be made in either direction using the special thin end plate to cover the open side. Additional through terminal blocks having a smaller cross-section may be commoned using push-in type jumper bars.

Jumpered



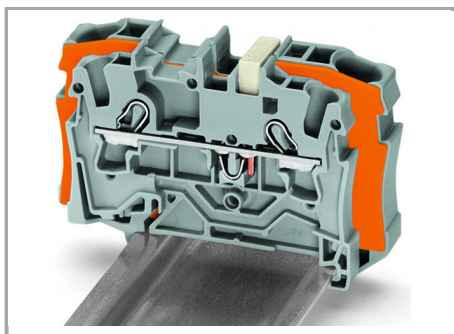
Using step-down jumpers, an end plate must be inserted between the terminal blocks to be commoned.

Jumpered



Commoning with a step-down jumper.

Jumpered



Step-down jumper (2006-499) commons 6 /4 mm² (10/12 AWG) terminal blocks (2006 /2004 Series) with 4/2.5/1.5 mm² (12/14/16 AWG) terminal blocks (2004/2002/2001 Series).

Jumpered



Step-down jumper (2006-499) commons 6 /4 mm² (10/12 AWG) terminal blocks (2206 /2204 Series) with 4/2.5/1.5 mm² (12/14/16 AWG) terminal blocks (2204/2202/2201 Series).

Produktová rodina



TOPJOB® S

TOPJOB® S: In various industrial applications and modern building installations, WAGO's wide and versatile range of rail-mount terminal blocks provides more than just reliable electrical connections.

[Zobrazit všechny produkty z rodiny](#)

Změny vyhrazeny.

WAGO Elektro spol. sr. o.
Rozvodova 1116/36
143 00 Praha 12 - Modřany
Tel.: +420 261 090 143
Email: info.cz@wago.com, wago-cz@wago.com

Máte otázky ohledně našich produktů?
Kdykoli nám zavolejte na číslo +420 261 090 143.