

FBH ZS 30 M8 V2A (274 030)

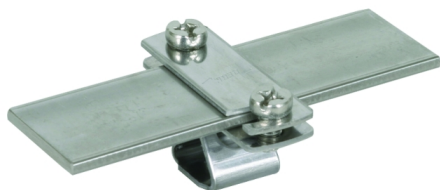
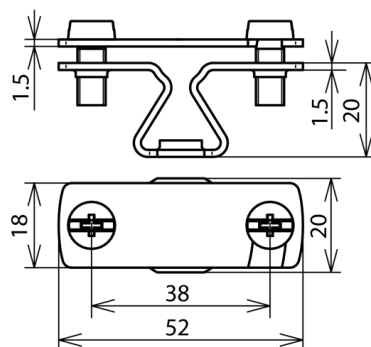


Figure without obligation



Type	FBH ZS 30 M8 V2A
Part No.	274 030
Material of conductor holder	StSt
Conductor support Fl	30 x 3.5 mm
Conductor support Rd	6-10 mm
Height of conductor holder	20 mm
Thread of conductor holder	M8
Conductor routing	fixed
Standard	EN 62561-4
Weight	34 g
Customs tariff number (Comb. Nomenclature EU)	85389099
GTIN	4013364130340
PU	50 pc(s)

We reserve the right to introduce changes in performance, configuration and technology, dimensions, weights and materials in the course of technical progress. The figures are shown without obligation.